

AJL, ASD, AML

Технические характеристики

По вопросам продаж и поддержки обращайтесь:

Алматы (7273)495-231	Казань (843)206-01-48	Новокузнецк (3843)20-46-81	Смоленск (4812)29-41-54
Архангельск (8182)63-90-72	Калининград (4012)72-03-81	Новосибирск (383)227-86-73	Сочи (862)225-72-31
Астрахань (8512)99-46-04	Калуга (4842)92-23-67	Омск (3812)21-46-40	Ставрополь (8652)20-65-13
Барнаул (3852)73-04-60	Кемерово (3842)65-04-62	Орел (4862)44-53-42	Сургут (3462)77-98-35
Белгород (4722)40-23-64	Киров (8332)68-02-04	Оренбург (3532)37-68-04	Тверь (4822)63-31-35
Брянск (4832)59-03-52	Краснодар (861)203-40-90	Пенза (8412)22-31-16	Томск (3822)98-41-53
Владивосток (423)249-28-31	Красноярск (391)204-63-61	Пермь (342)205-81-47	Тула (4872)74-02-29
Волгоград (844)278-03-48	Курск (4712)77-13-04	Ростов-на-Дону (863)308-18-15	Тюмень (3452)66-21-18
Вологда (8172)26-41-59	Липецк (4742)52-20-81	Рязань (4912)46-61-64	Ульяновск (8422)24-23-59
Воронеж (473)204-51-73	Магнитогорск (3519)55-03-13	Самара (846)206-03-16	Уфа (347)229-48-12
Екатеринбург (343)384-55-89	Москва (495)268-04-70	Санкт-Петербург (812)309-46-40	Хабаровск (4212)92-98-04
Иваново (4932)77-34-06	Мурманск (8152)59-64-93	Саратов (845)249-38-78	Челябинск (351)202-03-61
Ижевск (3412)26-03-58	Набережные Челны (8552)20-53-41	Севастополь (8692)22-31-93	Череповец (8202)49-02-64
Иркутск (395)279-98-46	Нижний Новгород (831)429-08-12	Симферополь (3652)67-13-56	Ярославль (4852)69-52-93
Россия (495)268-04-70	Киргизия (996)312-96-26-47	Казахстан (7172)727-132	

Magnetic sensors

Accessories: Jaws, Supports, Magnets

AJL, ASD, AML

CARLO GAVAZZI



- ABS v0 jaws series lengths 100, 150, 250 mm
- ABS v0 support Ø 12 mm
- Plastroferrite magnets series (for monostable sensors), lengths 100, 150, 200, 300 mm (the north pole is marked with a white line)

Product Description

The AJL jaw series is addressed to an easy mounting of the M12 sensors on the lift car roof by a specific support.

The sensor can be inserted in the ASD support and positioned along the jaw; then it can be adjusted

along the support hole and fixed by a screw on the top of the support. The plastroferrite magnets AML for monostable and bistable sensors are the suitable units for the sensor activation, also for elevated lengths.

Ordering Key

A J L100 M12

Accessories _____
 Type _____
 Length/Diameter _____
 Sensor Diameter _____

Type Selection

Type	Dimensions	Material	Ordering n.
Jaw	114x20.5x14 mm	ABS v0	A J L100 M12
Jaw	165x20.5x14 mm	ABS v0	A J L150 M12
Jaw	267x20.5x14 mm	ABS v0	A J L250 M12
Support	Ø 12 mm	ABS v0	A S D12 M12
Magnet	100x15x6 mm	Plastroferrite	A M L100 M12
Magnet	150x15x6 mm	Plastroferrite	A M L150 M12
Magnet	200x15x6 mm	Plastroferrite	A M L200 M12
Magnet	300x15x6 mm	Plastroferrite	A M L300 M12

General Specifications

Jaws

Dimensions	
AJL100M12	114x20.5x14 mm
AJL150M12	165x20.5x14 mm
AJL250M12	267x20.5x14 mm
Material	ABS v0
Weight	
AJL100M12	8 g
AJL150M12	12 g
AJL250M12	19 g
Operating temperature	-25 to +75°C, R.H. < 95%
CE marking	Yes

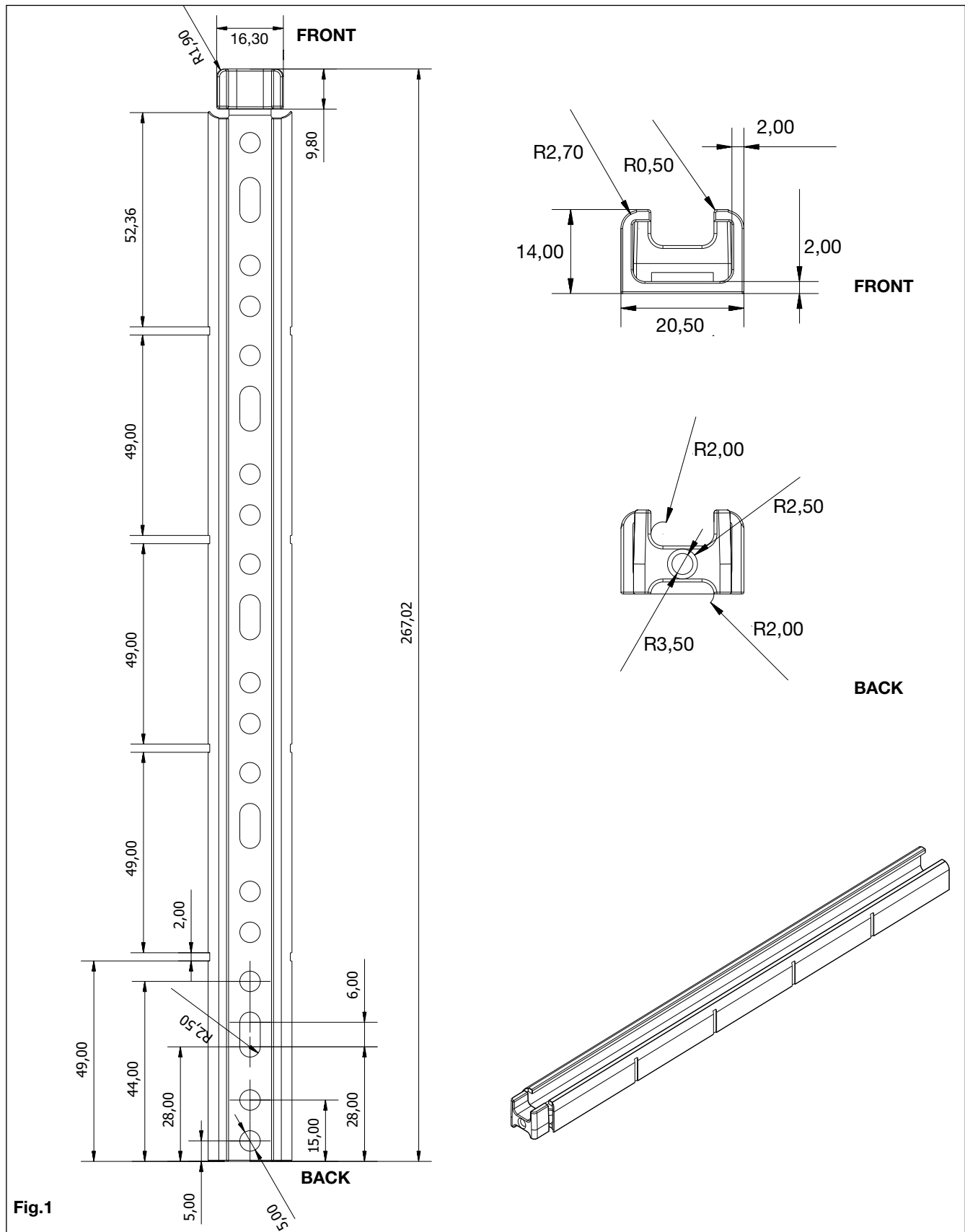
Support

Dimensions	
ASD12M12	24.8x22.6x16 mm
Diameter	Ø 12 mm
Material	ABS v0
Weight	7 g
Operating temperature	-25 to +75°C, R.H. < 95%
CE marking	Yes

Magnets

Dimensions	
AML100M12	100x15x6 mm
AML150M12	150x15x6 mm
AML200M12	200x15x6 mm
AML300M12	300x15x6 mm
Material	Plastroferrite
North pole reference	Yes, white line
Weight	
AML100M12	21 g
AML150M12	31 g
AML200M12	41 g
AML300M12	61 g
Operating temperature	-25 to +75°C, R.H. < 95%
CE marking	Yes

Jaws Dimensions



Jaws

The jaws are available in 3 different lengths: 114, 165 and 267 mm.

They can be considered as a rail for the sensor easy positioning using a dedicated

support, especially in application involving lift market, as for example cabin releveling or speed control.

The jaw is provided with a slot (groove) every 50 mm to

allow the cutting during installation, if necessary.

The support can be mounted and positioned along the whole jaw length, thanks to the relevant rail.

The jaw can be fixed to the car roof using the suitable holes or glue.

Support Dimensions

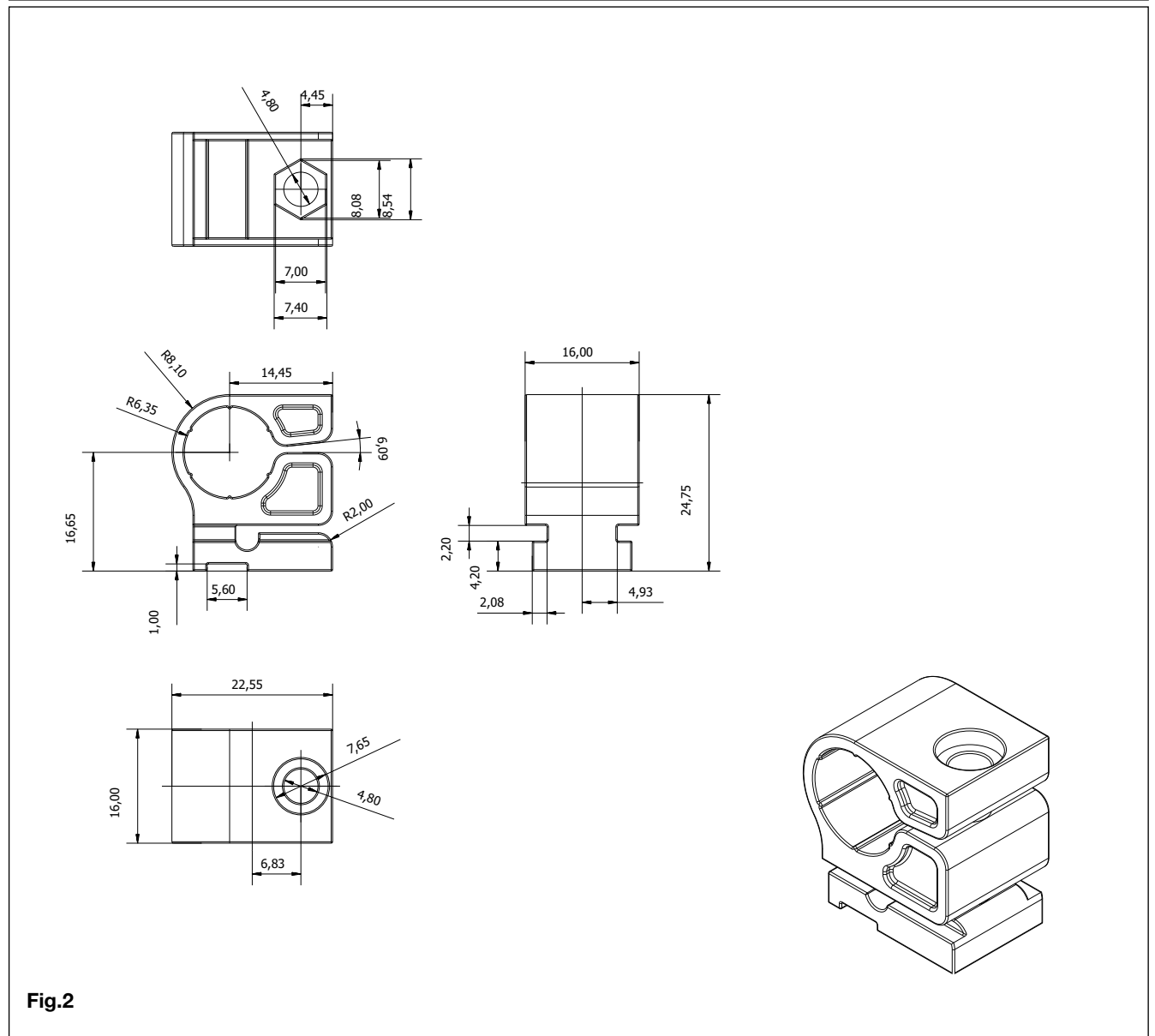


Fig.2

Support

The support is built with an M12 hole to house the magnetic sensor.

The connection to the jaw and the sliding through it is

provided thanks to a dedicated rail along the support.

Once the sensor is housed in the desired position, the system can be fixed by

tightening the screw positioned on the top of the support.

Fixing system Dimensions

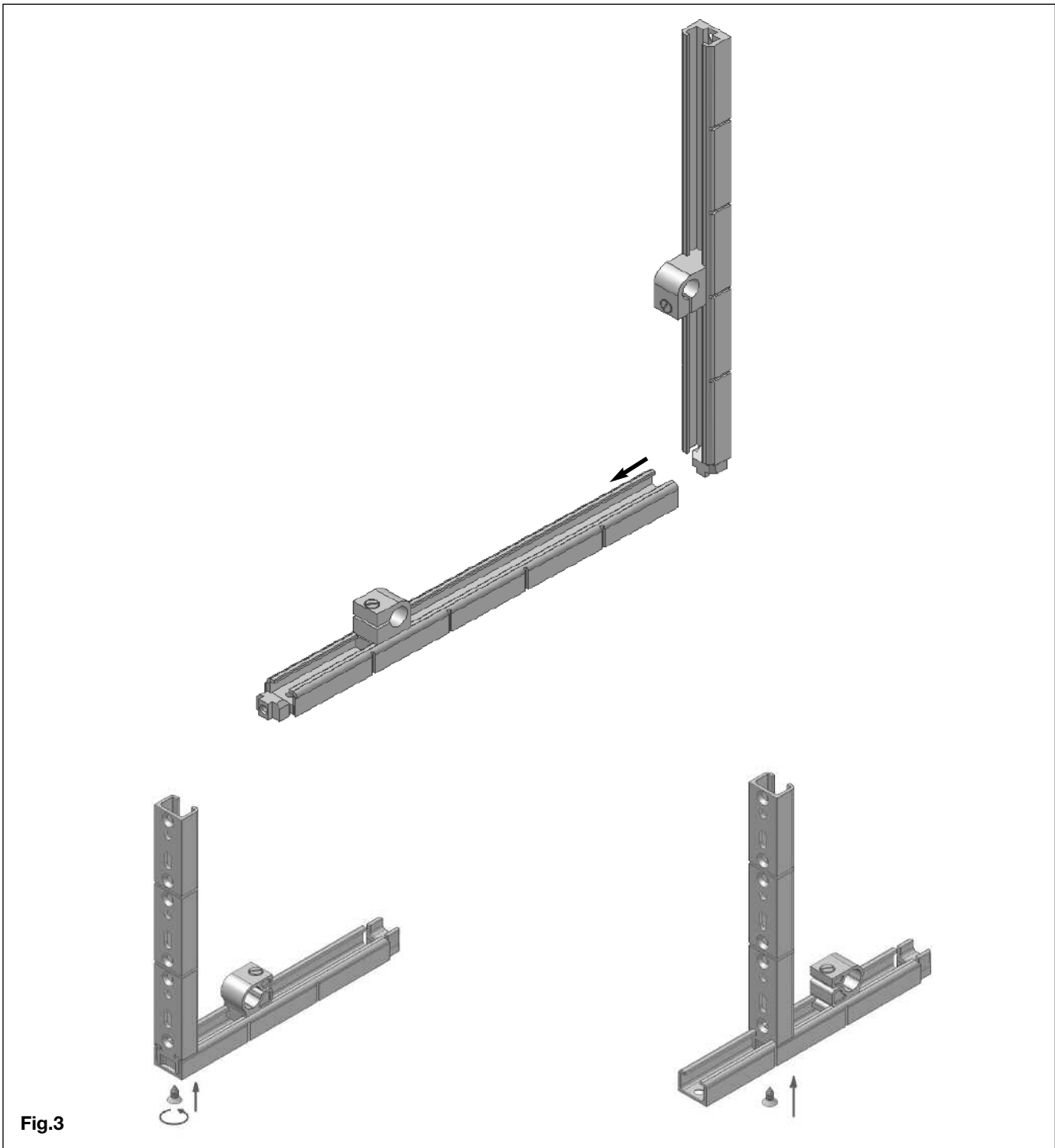


Fig.3

Fixing System 90 Degrees

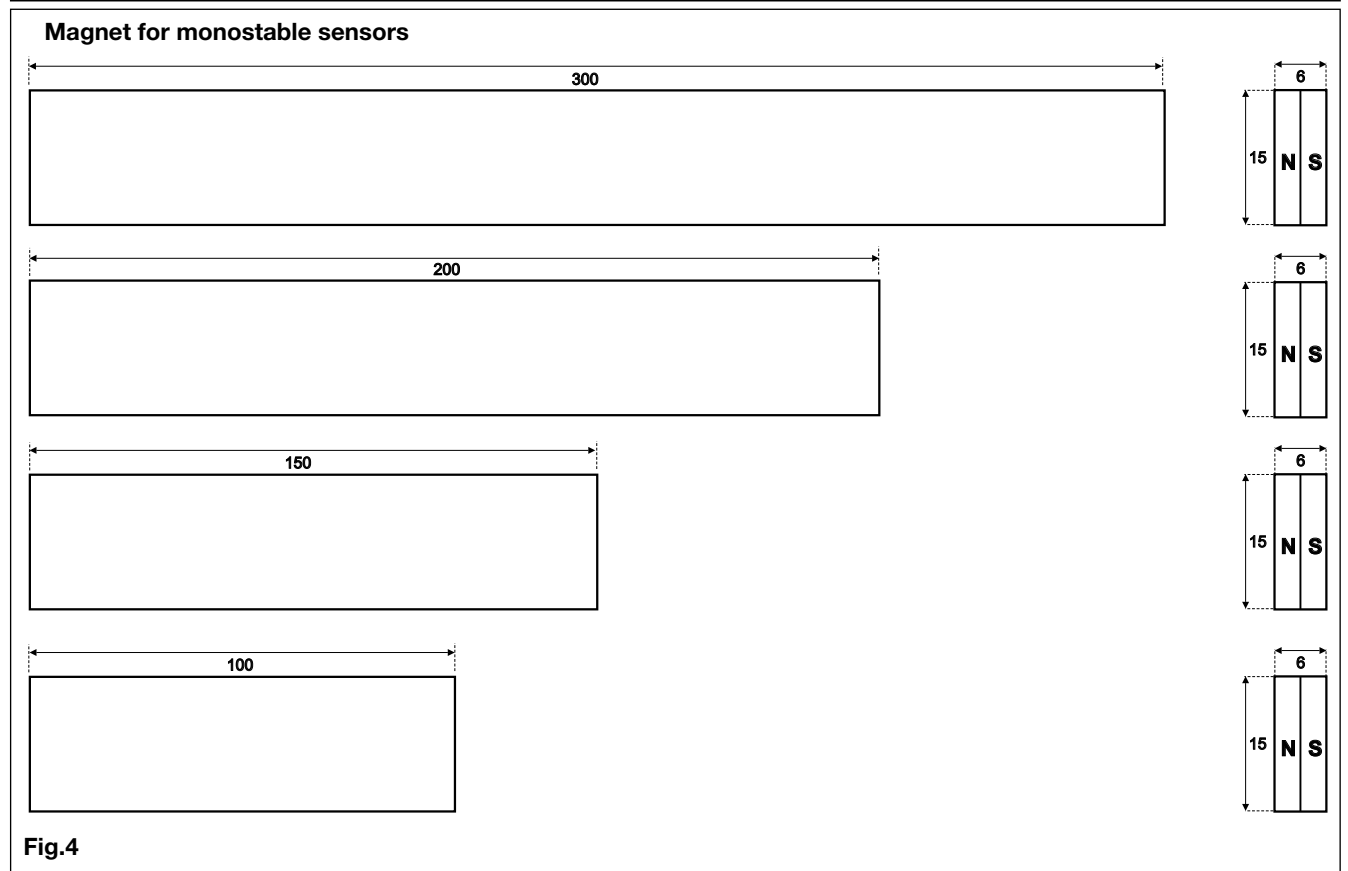
Two jaws can be connected to each other by the connection of the tooth on the back side, into the hole on the front side as explained in figure 3.

The sensor could be installed on the car roof using the support inserted into the specific rail of the jaw.

The support can be fixed on the jaw, in the desired position, by a screw on the top. The sensor position can be set in 2 ways:

- Moving the support along the jaw.
- Moving the sensor through the support hole.

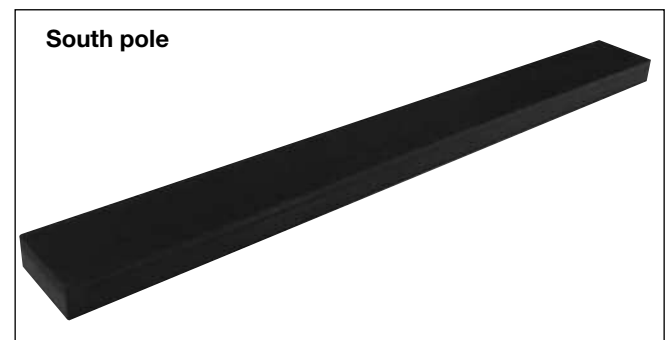
Magnets Dimensions



Magnets

The suitable magnet for north pole reference (white line) on the length dimension. The sensor needs only one pole for activation; the other pole is on the back side of the magnet.

The sensor needs only one pole for activation; the other pole is on the back side of the magnet.



По вопросам продаж и поддержки обращайтесь:

Алматы (7273)495-231	Казань (843)206-01-48	Новокузнецк (3843)20-46-81	Смоленск (4812)29-41-54
Архангельск (8182)63-90-72	Калининград (4012)72-03-81	Новосибирск (383)227-86-73	Сочи (862)225-72-31
Астрахань (8512)99-46-04	Калуга (4842)92-23-67	Омск (3812)21-46-40	Ставрополь (8652)20-65-13
Барнаул (3852)73-04-60	Кемерово (3842)65-04-62	Орел (4862)44-53-42	Сургут (3462)77-98-35
Белгород (4722)40-23-64	Киров (8332)68-02-04	Оренбург (3532)37-68-04	Тверь (4822)63-31-35
Брянск (4832)59-03-52	Краснодар (861)203-40-90	Пенза (8412)22-31-16	Томск (3822)98-41-53
Владивосток (423)249-28-31	Красноярск (391)204-63-61	Пермь (342)205-81-47	Тула (4872)74-02-29
Волгоград (844)278-03-48	Курск (4712)77-13-04	Ростов-на-Дону (863)308-18-15	Тюмень (3452)66-21-18
Вологда (8172)26-41-59	Липецк (4742)52-20-81	Рязань (4912)46-61-64	Ульяновск (8422)24-23-59
Воронеж (473)204-51-73	Магнитогорск (3519)55-03-13	Самара (846)206-03-16	Уфа (347)229-48-12
Екатеринбург (343)384-55-89	Москва (495)268-04-70	Санкт-Петербург (812)309-46-40	Хабаровск (4212)92-98-04
Иваново (4932)77-34-06	Мурманск (8152)59-64-93	Саратов (845)249-38-78	Челябинск (351)202-03-61
Ижевск (3412)26-03-58	Набережные Челны (8552)20-53-41	Севастополь (8692)22-31-93	Череповец (8202)49-02-64
Иркутск (395)279-98-46	Нижний Новгород (831)429-08-12	Симферополь (3652)67-13-56	Ярославль (4852)69-52-93
Россия (495)268-04-70	Киргизия (996)312-96-26-47	Казахстан (7172)727-132	

cgo@nt-rt.ru || <https://gavazzi.nt-rt.ru/>