

BEW, BFW, ВРС, BOW, B5X, B4X

Технические характеристики

По вопросам продаж и поддержки обращайтесь:

Алматы (7273)495-231	Казань (843)206-01-48	Новокузнецк (3843)20-46-81	Смоленск (4812)29-41-54
Архангельск (8182)63-90-72	Калининград (4012)72-03-81	Новосибирск (383)227-86-73	Сочи (862)225-72-31
Астрахань (8512)99-46-04	Калуга (4842)92-23-67	Омск (3812)21-46-40	Ставрополь (8652)20-65-13
Барнаул (3852)73-04-60	Кемерово (3842)65-04-62	Орел (4862)44-53-42	Сургут (3462)77-98-35
Белгород (4722)40-23-64	Киров (8332)68-02-04	Оренбург (3532)37-68-04	Тверь (4822)63-31-35
Брянск (4832)59-03-52	Краснодар (861)203-40-90	Пенза (8412)22-31-16	Томск (3822)98-41-53
Владивосток (423)249-28-31	Красноярск (391)204-63-61	Пермь (342)205-81-47	Тула (4872)74-02-29
Волгоград (844)278-03-48	Курск (4712)77-13-04	Ростов-на-Дону (863)308-18-15	Тюмень (3452)66-21-18
Вологда (8172)26-41-59	Липецк (4742)52-20-81	Рязань (4912)46-61-64	Ульяновск (8422)24-23-59
Воронеж (473)204-51-73	Магнитогорск (3519)55-03-13	Самара (846)206-03-16	Уфа (347)229-48-12
Екатеринбург (343)384-55-89	Москва (495)268-04-70	Санкт-Петербург (812)309-46-40	Хабаровск (4212)92-98-04
Иваново (4932)77-34-06	Мурманск (8152)59-64-93	Саратов (845)249-38-78	Челябинск (351)202-03-61
Ижевск (3412)26-03-58	Набережные Челны (8552)20-53-41	Севастополь (8692)22-31-93	Череповец (8202)49-02-64
Иркутск (395)279-98-46	Нижний Новгород (831)429-08-12	Симферополь (3652)67-13-56	Ярославль (4852)69-52-93
Россия (495)268-04-70	Киргизия (996)312-96-26-47	Казахстан (7172)727-132	

smart-house

Aurora line, Light Switch

Type B4X-LS4-U

CARLO GAVAZZI



- Light switch for building automation application
- Developed to fit into wall socket and frames from Fuga, NIKO, and Bticino
- Temperature range: -20 to +50°C
- 4 individually programmable pushbutton inputs
- Bus supplied, no external supply required
- Delivered with 2 white and 1 black pushbutton covers
- White LEDs: programmable guide light function
- Blue LEDs: programmable function status

Product Description

The B4X-LS4-U is a light switch with 4 buttons and 4 LED outputs. It is developed to be mounted into a 44 x 44 wall socket from Fuga, NIKO and all the 44 x XX Bticino ones. The light-switch has two colours of LEDs, white and blue, individually programmable.

The light switch is part of the smart-house concept for building automation applications and can be used to control lights, roller blinds and all other functions supported by the smart-house controller. It is fully programmable via the SH tool.

Ordering Key

B4 X LS 4 U

Housing 44 x 44 mm
Standard
Light switch
Switch number
Smart Dupline®

Type Selection

Housing	Colour	LEDs	Bus supplied
44 x 44 mm	White/Black*	4 white / 4 blue	B4X-LS4-U

*Delivered with white and black push-button covers

Input Specifications

Keypad 4 push buttons

Output Specifications

LEDs 4 white / 4 blue

Dupline® Specifications

Voltage	8.2 V
Maximum Dupline® voltage	10 V
Minimum Dupline® voltage	5.5 V
Maximum Dupline® current	2 mA

Supply Specifications

Power supply Bus supplied

General Specifications

Address assignments / channel programming	If it is used with the SH2WEB24 the address assignment is automatic: the controller recognises the module through the SIN (Specific Identification Number) that has to be inserted in the SH tool. If it is used with the BH8-CTRL-230, the channels have to be programmed by the BGP-COD-BAT	Weight	50 g
Environment Degree of protection Pollution degree Operating temperature Storage temperature Humidity (non-condensing)	IP 20 3 (IEC 60664) -20° to +50°C (-4° to 122°F) -30° to +60°C (-22° to 140°F) 20 to 80% RH	Approvals	cULus, according to UL60950 UL notes: Max room temperature: 40°C
Connection Screwless detachable D+ D-	0.2 to 1.5 mm ² Signal GND	CE Marking	Yes
Housing Back part dimensions Back part + front dimensions Back part material Push button covers Accessories	44 x 44 x 25.2 mm 44 x 44 x 28.6 mm Plastic, transparent Plastic white (RAL 9010) Plastic clear white (RAL 9016) Plastic black Transparent plastic ring for Bticino frame	EMC Immunity - Electrostatic discharge - Radiated radiofrequency - Burst immunity - Surge - Conducted radio frequency - Power frequency magnetic fields - Voltage dips, variations, interruptions Emission - Conducted and radiated emissions - Conducted emissions - Radiated emissions	EN 61000-6-2 EN 61000-4-2 EN 61000-4-3 EN 61000-4-4 EN 61000-4-5 EN 61000-4-6 EN 61000-4-8 EN 61000-4-11 EN 61000-6-3 CISPR 22 (EN55022), cl. B CISPR 16-2-1 (EN55016-2-1) CISPR 16-2-3 (EN55016-2-3)

Mode of Operation

The B4X-LS4-U is fully programmable via the SH tool. Each push-button can be individually associated to one or more of the functions supported by the smart-house system.

B4X-LS4-U connected to the SH2WEB24

Coding/Addressing

If the light switch module is connected to the SH2WEB24 controller, no addressing is needed since the module is provided with a specific identification number (SIN): the user has only to insert the SIN in the SH tool when creating the system configuration.

Used channels: 4 input channels, 4 output channels.

LED programming

Also the LEDs are config-

urable via SH Tool:

- White LEDs: The 4 white LEDs can be programmed separately as guide light.

If the guide light functionality has been activated and a single switch has been associated to a function, then the white LED relevant to that switch will be ON, if the function is OFF, and it will be OFF, if the function is ON.

- Blue LEDs: The 4 blue LEDs can be individually programmed as function status indication.

If the Dupline® bus is faulty or missing, the LED will be OFF.

B4X-LS4-U connected to the BH8-CTRLX-230

Coding/Addressing

If the light switch module is

connected to the BH8-CTRLX-230 controller, the user has to program the Dupline® channels using the BGP-COD-BAT: this module has 4 input (push buttons) and 4 output (LEDs) channels.
I/O 1-4: push button 1-4
I/O 5-8: LED 1-4

LED programming

- White LEDs: The 4 white LEDs can be programmed all together as guide light (they will be ON when the light is OFF).

Fail safe bit =0: guide light function disabled.

Fail safe bit=1: guide light function enabled.

The factory setting is fail safe bit=0.

The fail safe bit has to be programmed by the BGP-COD-BAT.

- Blue LEDs: The 4 blue LEDs can be individually

programmed as function status indication.

If the Dupline® bus is faulty or missing, the LED will be OFF.

Wall Socket and frame compatible with the Aurora line

The Aurora 44x44 light switch can fit into the frame and wall socket listed below: for any other model not included here below, Carlo Gavazzi does not grant any compatibility.

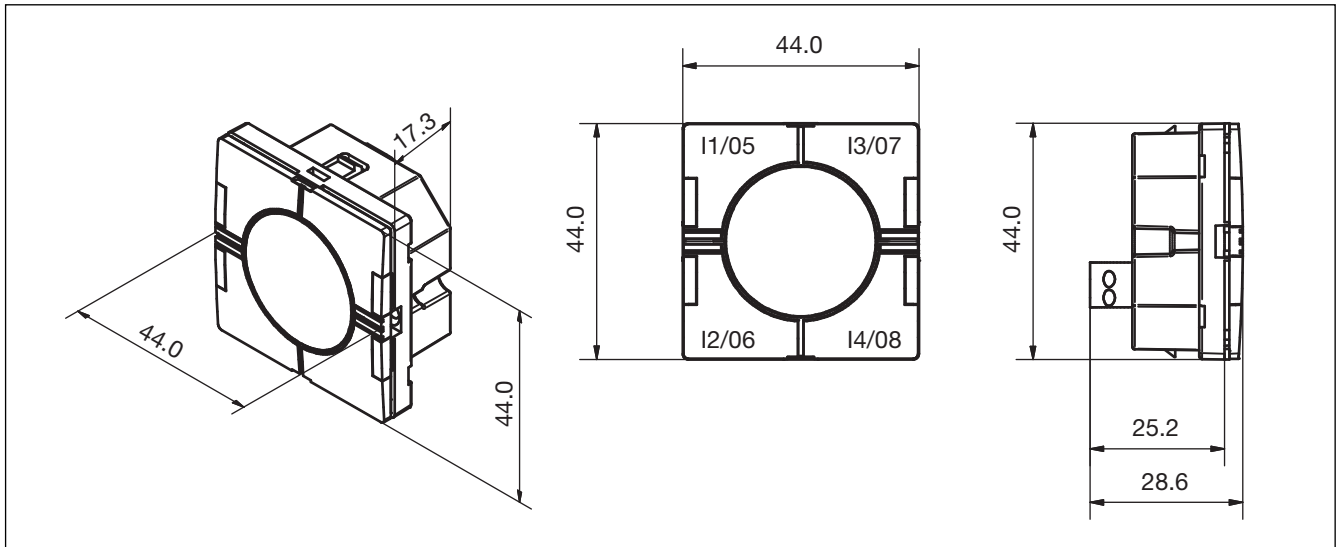
- Niko

- Fuga

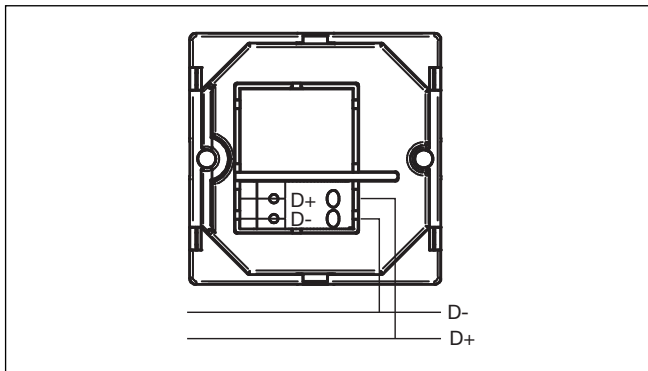
- Bticino: Light, Living, Luna series (the transparent ring has to be used).

The B4X-LS4-U is compatible with all the 44 x XX Bticino socket just adding a plastic cap by Bticino.

Dimensions



Wiring Diagram



B5X-LS4-U



Light switch



Benefits

- **Integrated system.** Dupline® is the brand name for Carlo Gavazzi's 2-wire bus system.
- **Cost reduction.** The use of a bus system is a proven way to reduce installation costs – especially when the distance between I/O points are extensive.
- **Fast and easy installation.** Completely free topology, no special cable required, no screen or twist. It can go for 2 km and even further with repeaters.
- **High noise immunity.** Can run next to power cables.
- **Scalability.** The system can be progressively integrated with new modules according to the application needs.
- **Modularity.** The system is composed by many modules, powered by the bus, so that each installation can be precisely and easily sized.

Description

The B5X-LS4-U is a light switch with 4 buttons and 4 LED outputs.

This light switch is part of the smart Dupline concept for building automation applications and can be used to control lights, roller blinds and all other functions supported by the smart Dupline controller.

It is fully programmable via the Sx tool.

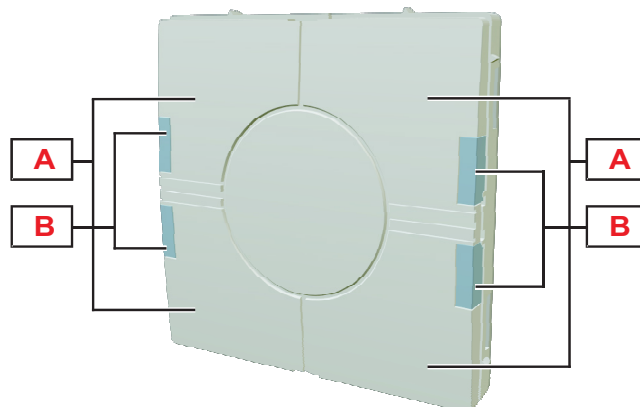
Applications

Home and building automation.

Main features

Supplied by bus, no external supply required.
Delivered with 2 white and 1 black pushbutton covers.

Structure

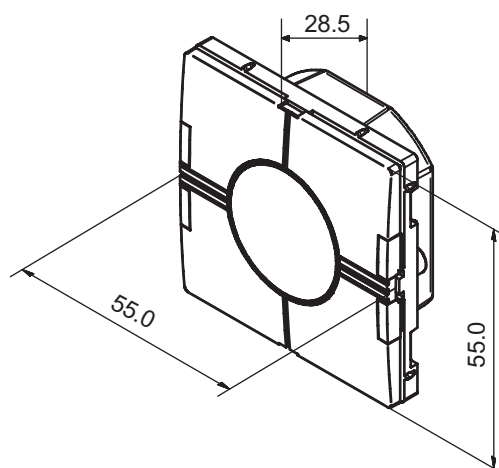


Element	Component	Function
A	Push buttons	4 individually programmable push button inputs
B	Blue and white LEDs	4 blue and 4 white programmable LEDs

Features

General



Material	Back part: plastic, transparent Push button covers: plastic white (RAL 9010), clear white (RAL 9016), black Accessories: plastic frame
Dimensions	55 x 55 x 28.5 mm (L x H x D)
Weight	50 g
Protection grade	IP20
Pollution degree	3 (IEC 60664)



Environmental

Operating temperature	-20° to +50°C (-4° to 122°F)
Storage temperature	-30° to +60°C (-22° to +140°F)
Humidity (non-condensing)	20 to 80% RH

Compatibility and conformity

Electromagnetic compatibility (EMC) - immunity	EN 61000-6-2
Electromagnetic compatibility (EMC) - emissions	EN 61000-6-3
Approvals	 

Power Supply

Power Supply	Supplied by bus
--------------	-----------------

Dupline®

Voltage	8.2 V
Maximum Dupline® voltage	10 V
Minimum Dupline® voltage	5.5 V
Maximum Dupline® current	2 mA
Addressing	<p>If it is used with the Sx2WEB24 the address assignment is automatic: the controller recognises the module through the SIN (Specific Identification Number) that has to be inserted in the Sx tool. Used channels: 4 input channels, 4 output channels.</p> <p>If it is used with the BH8-CTRLX-230 the channels have to be programmed with the BGP-COD-BAT. I/O 1-4: push button 1-4; I/O 5-8: LED 1-4.</p>

Input specifications

Keypad	4 pushbuttons
--------	---------------

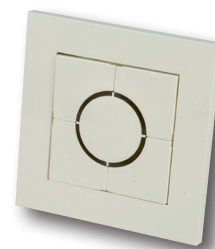
Output specifications

LED	4 white / 4 blue
-----	------------------

ELKO Light Switch

BEW-LS4

CARLO GAVAZZI



Transceiver for Building Automation applications

4 individually programmable pushbutton inputs

4 individually programmable LED's for true response)

Supplied by smart-house bus, no external supply required

Channel coding by BGP-COD-BAT

Wall mounting

INPUT SPECIFICATIONS

Pulse prolongations 220 – 300 ms

SUPPLY SPECIFICATIONS

Power supply Supplied by smart-house bus

Rated operational current

Typically 200 μ A
All LED's activated (ON) typ. 3 mA

GENERAL SPECIFICATIONS

Channel coding By BGP-COD-BAT and special cable: GAP-TPH-CAB. After mounting reprogramming can be done by removing the slim cover and using the attached adapter for the GAP-TPH-CAB cable.

In/out 1 - 4 Pushbutton 1 - 4
In/out 5 - 8 LED 1 - 4

Enclosure (ELKO Mechanics)

Environment

Degree of protection IP 20
Pollution degree 3 (IEC 60664)
Operating temperature 0 - 50 °C / 32 - 122°F
Storage temperature -20 - 70°C / -4 - 158°F

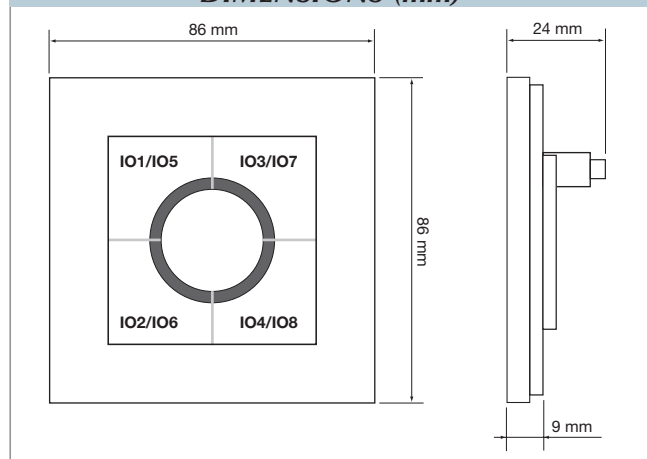
Humidity (non condensing) 20 - 80%

Weight 50 g

Dimensions 86 x 86 x 24 mm
(including frame)

Max. wire in terminals Max. 2 x 0.75 mm²

DIMENSIONS (mm)



TYPE SELECTION

Supply	Colour	Ordering no.
by smart-house	White	BEW-LS4
	Light grey	BEG-LS4
	Antracit grey	BEA-LS4

ACCESSORIES

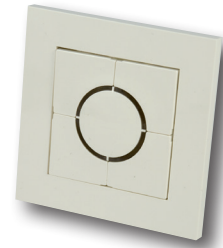
Programming cable to BGP-COD-BAT GAP-TPH-CAB

ELKO Wireless Light Switch



BEW-WLS4

- Smart-house transmitter for building automation applications
- 4 individually programmable pushbuttons
- 3 V battery supply (CR2032)
- Channel programming using BGP-COD-BAT
- Wall mounting
- Range up to 100 m in open air
- Battery life: up to 5 years at normal use



INPUT SPECIFICATIONS

Wireless push-button
Transmission frequency 868 MHz

SUPPLY SPECIFICATIONS

Power supply Battery: CR2032

GENERAL SPECIFICATIONS

Channel coding
By BGP-COD-BAT and special cable: GAP-TPH-CAB. After mounting reprogramming can be done by removing the slim cover and using the attached adapter for the GAP-TPH-CAB cable.

Out 1-4
Push-button 1-4

Enclosure
(ELKO)

Environment
Protection degree IP 20
Pollution degree 3 (IEC 60664)
Operating temperature 0-50°C/32-122°F
Storage temperature -20-70°C/-4-158°F

Humidity (non-condensing) 20 - 80%

Weight 50 g – without battery

Dimensions 86 x 86 x 24 mm (including frame)

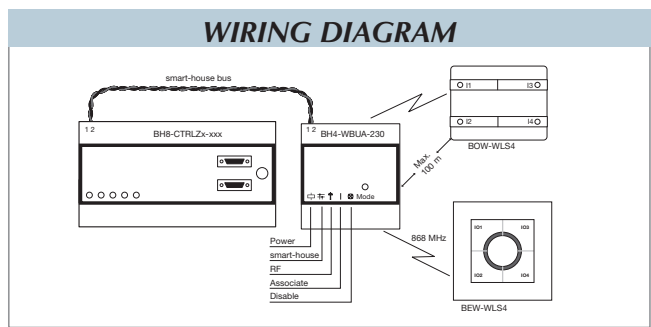
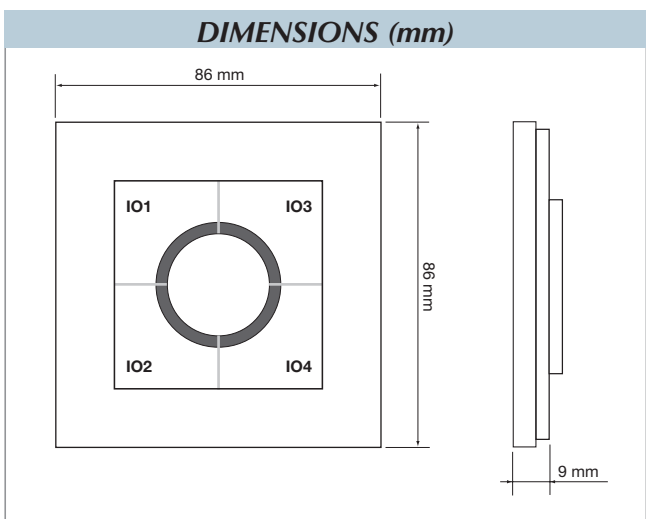
MODE OF OPERATION

The BEx-WLS4 light switch is designed for base unit BH4-WBUx-230 and will only function with this unit. The wireless BEx-WLS4 light switches are programmed as standard light switches BEx-WLS4 using a BGP-COD-BAT (see data sheet for this unit). The communication between BEx-WLS4 light switches and the BH4-WBUx-230 base is established in the following way:
- Push the “Mode” button on the BH4-WBUx-230 base until the red LED indicates association.

- Push the push-button on the BEx-WLS4 light switch module that you want to associate with the BH4-WBUx-230 base. Once the association is complete, all 4 LEDs will light up briefly (approx. 1 second). If the association fails, e.g. because the range is exceeded, all LEDs in the light switch module will light up simultaneously for approx. 500 ms. This also occurs if, under normal circumstances, it is not possible to establish connection between the BH4-WBUx-230 base and the

BEx-WLS4 light switch modules. It is possible to disable the communication between the BH4-WBUx-230 base and all the modules with which it is associated.
- Push the “Mode” button on the base until the red “Disable” LED is lit. This means that there is no connection between the BH4-WBUx-230 base and its associations. To reestablish the connection, push “Mode” until neither “Associate” or “Deactivate” are lit. Under normal circumstances, the

“Supply” and “Dupline” LEDs will be lit continuously, whereas the LED for “Communication” only blinks briefly when you push an associated BEx-WLS4 light switch. The LEDs always follow their allocated push-button and cannot be programmed individually or removed. The LED indication provides confirmation that the communication is successful.



TYPE SELECTION

Supply	Colour	Ordering no.
by smart-house	White	BEW-WLS4
	Light grey	BEG-WLS4
	Antracit grey	BEA-WLS4

ACCESSORIES

Programming cable to BGP-COD-BAT GAP-TPH-CAB

FUGA Light Switch

BFW-LS4



Transceiver for Building Automation applications

4 individually programmable pushbutton inputs

4 individually programmable LED's for true response)

Supplied by smart-house bus, no external supply required

Channel coding by BGP-COD-BAT

Flat wall mounting

INPUT SPECIFICATIONS

Pulse prolongations 220 – 300 ms

SUPPLY SPECIFICATIONS

Power supply Supplied by smart-house bus

Rated operational current

Typically 200 μ A
All LED's activated (ON) typ. 3 mA

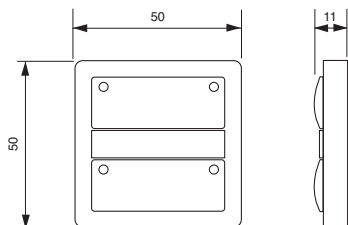
GENERAL SPECIFICATIONS

Channel coding	By BGP-COD-BAT and special cable: GAP-TPH-CAB. After mounting reprogramming can be done by removing the slim cover between the pushbutton and using the attached adapter for the GAP-TPH-CAB cable.
In/out 1 - 4 In/out 5 - 8	Pushbutton 1 - 4 LED 1 - 4 (see figure 1)
Enclosure	(LK FUGA Mechanics)

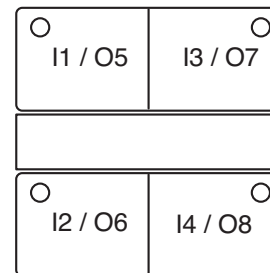
Environment	
Degree of protection	IP 20
Pollution degree	3 (IEC 60664)
Operating temperature	0 - 50 °C/32 - 122°F
Storage temperature	-20 - 70°C/-4 - 158°F

Humidity (non condensing)	20 - 80%
Weight	50 g
Dimensions	55 x 55 x 11mm (including frame)
Max. wire in terminals	Max. 2 x 0.75 mm ²

DIMENSIONS (mm)



PUSHBUTTON/LED ALLOCATION



TYPE SELECTION

Supply by smart-house	Colour	Ordering no.
	White	BFW-LS4
	Light grey	BFG-LS4
	Antracit grey	BFA-LS4
No frame included		

ACCESSORIES

Programming cable to BGP-COD-BAT	GAP-TPH-CAB	
Frame Baseline	White	40417
	Grey	40414
	Charcoal Grey	40430-1

BFW-WLS4

- Smart-house transmitter for building automation applications**
- 4 individually programmable pushbuttons**
- 3 V battery supply (CR2032)**
- Channel programming using BGP-COD-BAT**
- Wall mounting**
- Range up to 100 m in open air**
- Battery life: up to 5 years at normal use**



INPUT SPECIFICATIONS

Wireless push-button
Transmission frequency 868 MHz

SUPPLY SPECIFICATIONS

Power supply Battery: CR2032

GENERAL SPECIFICATIONS

Channel coding Via GAP 1605 and special cable: GAP-TPH-CAB. Following installation, the programming can be changed by removing the thin cover between the push-buttons and using the supplied adapter for the GAP-TPH-CAB cable.

Out 1-4 Push-button 1-4

Enclosure (LK FUGA)

Environment
 Protection degree IP 20
 Pollution degree 3 (IEC 60664)
 Operating temperature 0-50°C/32-122°F
 Storage temperature -20-70°C/-4-158°F

Humidity (non-condensing) 20 - 80%

Weight 50 g – without battery

Dimensions 50 x 50 x 11 mm (including frame)

MODE OF OPERATION

The BFW-LS4 light switch is designed for base unit BH4-WBU-230 and will only function with this unit. The wireless BFW-LS4 light switches are programmed as standard light switches G8x10 44xx using a GAP 1605 (see data sheet for this unit). The communication between BFW-LS4 light switches and the BH4-WBU-230 base is established in the following way:

- Push the "Mode" button on the BH4-WBU-230 base until the red

LED indicates association.

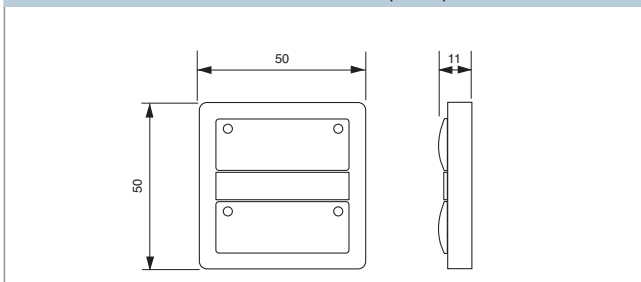
- Push the push-button on the BFW-LS4 light switch module that you want to associate with the BH4-WBU-230 base. Once the association is complete, all 4 LEDs will light up briefly (approx. 1 second). If the association fails, e.g. because the range is exceeded, all LEDs in the light switch module will light up simultaneously for approx. 500 ms. This also occurs if, under normal circumstances, it is not possible to estab-

lish connection between the BH4-WBU-230 base and the BFW-LS4 light switch modules. It is possible to disable the communication between the BH4-WBU-230 base and all the modules with which it is associated.

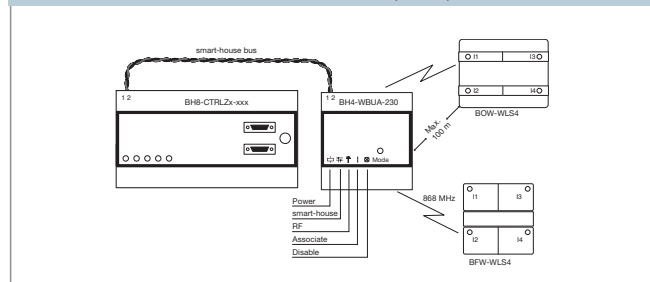
- Push the "Mode" button on the base until the red "Disable" LED is lit. This means that there is no connection between the BH4-WBU-230 base and its associations. To reestablish the connection, push "Mode" until neither

"Associate" or "Deactivate" are lit. Under normal circumstances, the "Supply" and "Dupline" LEDs will be lit continuously, whereas the LED for "Communication" only blinks briefly when you push an associated BFW-LS4 light switch. The LEDs always follow their allocated push-button and cannot be programmed individually or removed. The LED indication provides confirmation that the communication is successful.

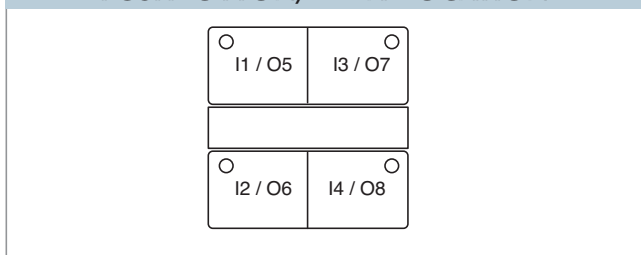
DIMENSIONS (mm)



DIMENSIONS (mm)



PUSHBUTTON/LED ALLOCATION



TYPE SELECTION

Supply	Colour	Ordering no.
by smart-house	White	BFW-WLS4
	Light grey	BFG-WLS4
	Charcoal grey	BFA-WLS4

No frame included

ACCESSORIES

Programming cable to BGP-COD-BAT	GAP-TPH-CAB
Frame Baseline	White 40417
	Grey 40414-1
	Charcoal Grey 40430-1

BOW-LS4

Transceiver for Building Automation applications

4 individually programmable pushbutton inputs

4 individually programmable LED's for true response)

Supplied by smart-house bus, no external supply required

Channel coding by BGP-COD-BAT

Flat wall mounting



INPUT SPECIFICATIONS

Pulse prolongations 220 – 300 ms

SUPPLY SPECIFICATIONS

Power supply Supplied by smart-house bus

Rated operational current

Typically 200 μ A
All LED's activated (ON) typ. 3 mA

GENERAL SPECIFICATIONS

Channel coding	By BGP-COD-BAT and special cable: GAP-TPH-CAB.
In/out 1 - 4	Pushbutton 1 - 4
In/out 5 - 8	LED 1 - 4 (see figure 1)
Enclosure	(LK OPUS Mechanics)
Environment	
Degree of protection	IP 20
Pollution degree	3 (IEC 60664)
Operating temperature	0 - 50 °C/32 - 122°F
Storage temperature	-20 - 70°C/-4 - 158°F

Humidity (non condensing)

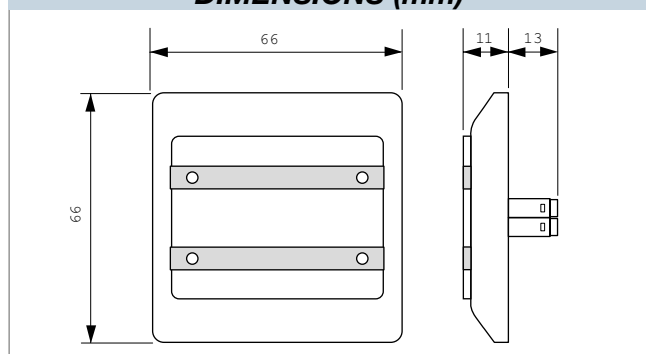
20 - 80%

Weight 50 g

Dimensions 66 x 66 x 11mm
(including frame)

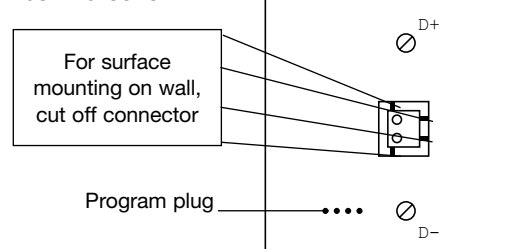
Max. wire in terminals Max. 2 x 0.75 mm²

DIMENSIONS (mm)

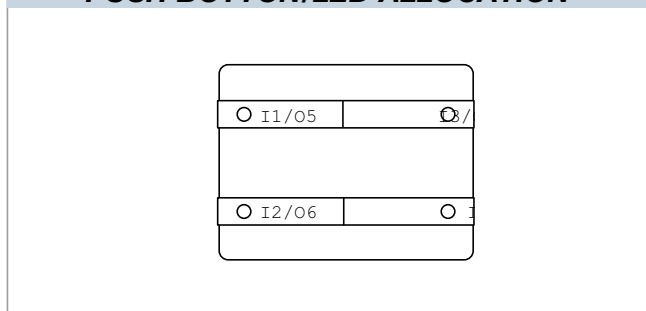


CONNECTION DIAGRAM/INSTALLATION HINT

Connections behind cover



PUSH BOTTON/LED ALLOCATION



TYPE SELECTION

Supply	Colour	Ordering no.
by smart-house	White	BOW-LS4
	Light grey	BOG-LS4

ACCESSORIES

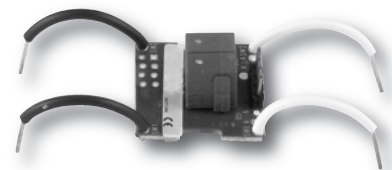
Programming cable to BGP-COD-BAT GAP-TPH-CAB

Input Module for GIRA Light Switch



BPC-INCON2

- Specially made for GIRA Light switch**
- Standard 2 input contacts and 2 LED outputs**
- Programmed with BGP-COD-BAT**
- Input pulse prolongation**
- smart-house supplied**
- Compact PCB**



INPUT SPECIFICATIONS

2 contacts	on I/O 1 and I/O 2	Input voltage drop	≤ 1 V
Input current	50 µA	Input pulse prolongation	min. 272 msec.
Input current peak	20 mA	Cable length	≤ 0.2 m

GENERAL SPECIFICATIONS

Environment		Dimensions (h x w x d)	27 x 27 x 15 mm
Operating temperature	0 to +50°C	Max size of wire in smart-house terminals	1.0 mm ²
Storage temperature	-20 to +70°C	Enclosure	
Humidity (non-condensing)	20 - 80%	Housing	GIRA

SUPPLY SPECIFICATIONS

Supplied by smart-house bus	
Consumption unactivated	Max 0,32mA
Consumption input / output activated	Max 1,4mA

OUTPUT SPECIFICATIONS

Output	2 outputs for external LED on wires, on I/O 5 and I/O 6
---------------	---

MODE OF OPERATION

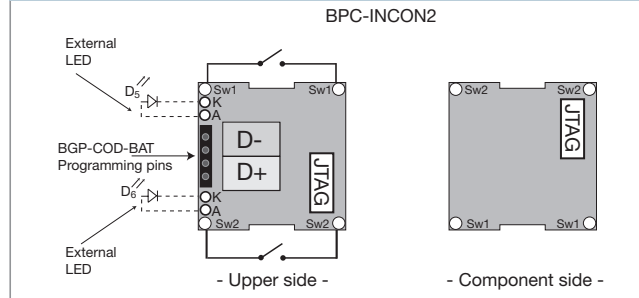
The input and LED addresses may be coded by means of the programming unit BGP-COD-BAT, with GAP-TPH-CAB cable + pin-adaptor.

The BPC-INCON2 has 2 input contacts and 2 external LED outputs on wires.

TYPE SELECTION

Supply	No. of Inputs	Ordering no.
By smart-house bus	2 inputs	BPC-INCON2

WIRING DIAGRAM



BPC-INCON2A

Specialfremstillet til GIRA lyskontakt

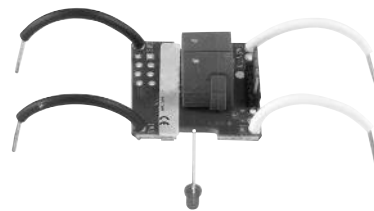
Som standard 2 indgangskontakter og 2 lysdiodeudgange

Programmeres via BGP-COD-BAT

Indgangsimpulsforlængelse

Forsynet via smart-house

Kompakt PCB



INDGANGSSPECIFIKATIONER

2 kontakter	på ind-/udgang 1 og ind-/udgang 2	Indgangsspændingsfald	$\leq 1 \text{ V}$
Indgangsstrøm	50 μA	Indgangsimpulsforlængelse	min. 272 ms
Indgangsstrømspids	20 mA	Kabellængde	$\leq 0,2 \text{ m}$

GENERELLE SPECIFIKATIONER

Ydre forhold		Dimensioner (H x B x D)	27 x 27 x 15 mm
Driftstemperatur	0 - +50 °C	Maks. størrelse for leder i smart-house terminaler	1,0 mm ²
Lagertemperatur	20 - +70 °C	Hus	GIRA
Luftfugtighed (ikke-kondenserende)	20-80 %	Hus	GIRA

FORSYNINGSSPECIFIKATIONER

Forsynet via smart-house bus

Forbrug i ikke-aktiveret tilstand Maks. 0,32 mA

Forbrug ved ind-/udgang aktiveret Maks. 1,4 mA

UDGANGSSPECIFIKATIONER

Udgang	2 udgange til ekstern lysdiode på ledere, på ind-/udgang 5 og ind-/udgang 6, og en indbygget lysdiode på ind-/udgang 7
---------------	--

FUNKTIONSBESKRIVELSE

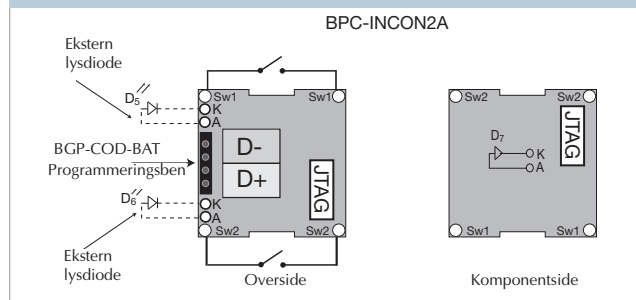
Indgangs- og lysdiodeadresseerne kan kodes ved hjælp af programmeringsenheden BGP-COD-BAT, med GAP-TPH-CAB-kabel + benadapter.

BPC-INCON2A har også to indgangskontakter og to eksterne lysdiodeudgange på ledere samt en indbygget lysdiode på ind-/udgang 7.

TYPEVALG

Forsyning	Antal indgange	Bestillingsnr.
Via smart-house bus	2 indgange	BPC-INCON2A

FORBINDELSEDIAGRAM



По вопросам продаж и поддержки обращайтесь:

Алматы (7273)495-231	Казань (843)206-01-48	Новокузнецк (3843)20-46-81	Смоленск (4812)29-41-54
Архангельск (8182)63-90-72	Калининград (4012)72-03-81	Новосибирск (383)227-86-73	Сочи (862)225-72-31
Астрахань (8512)99-46-04	Калуга (4842)92-23-67	Омск (3812)21-46-40	Ставрополь (8652)20-65-13
Барнаул (3852)73-04-60	Кемерово (3842)65-04-62	Орел (4862)44-53-42	Сургут (3462)77-98-35
Белгород (4722)40-23-64	Киров (8332)68-02-04	Оренбург (3532)37-68-04	Тверь (4822)63-31-35
Брянск (4832)59-03-52	Краснодар (861)203-40-90	Пенза (8412)22-31-16	Томск (3822)98-41-53
Владивосток (423)249-28-31	Красноярск (391)204-63-61	Пермь (342)205-81-47	Тула (4872)74-02-29
Волгоград (844)278-03-48	Курск (4712)77-13-04	Ростов-на-Дону (863)308-18-15	Тюмень (3452)66-21-18
Вологда (8172)26-41-59	Липецк (4742)52-20-81	Рязань (4912)46-61-64	Ульяновск (8422)24-23-59
Воронеж (473)204-51-73	Магнитогорск (3519)55-03-13	Самара (846)206-03-16	Уфа (347)229-48-12
Екатеринбург (343)384-55-89	Москва (495)268-04-70	Санкт-Петербург (812)309-46-40	Хабаровск (4212)92-98-04
Иваново (4932)77-34-06	Мурманск (8152)59-64-93	Саратов (845)249-38-78	Челябинск (351)202-03-61
Ижевск (3412)26-03-58	Набережные Челны (8552)20-53-41	Севастополь (8692)22-31-93	Череповец (8202)49-02-64
Иркутск (395)279-98-46	Нижний Новгород (831)429-08-12	Симферополь (3652)67-13-56	Ярославль (4852)69-52-93
Россия (495)268-04-70	Киргизия (996)312-96-26-47	Казахстан (7172)727-132	