

CONB, CONE, CONH

Технические характеристики

По вопросам продаж и поддержки обращайтесь:

Алматы (7273)495-231	Казань (843)206-01-48	Новокузнецк (3843)20-46-81	Смоленск (4812)29-41-54
Архангельск (8182)63-90-72	Калининград (4012)72-03-81	Новосибирск (383)227-86-73	Сочи (862)225-72-31
Астрахань (8512)99-46-04	Калуга (4842)92-23-67	Омск (3812)21-46-40	Ставрополь (8652)20-65-13
Барнаул (3852)73-04-60	Кемерово (3842)65-04-62	Орел (4862)44-53-42	Сургут (3462)77-98-35
Белгород (4722)40-23-64	Киров (8332)68-02-04	Оренбург (3532)37-68-04	Тверь (4822)63-31-35
Брянск (4832)59-03-52	Краснодар (861)203-40-90	Пенза (8412)22-31-16	Томск (3822)98-41-53
Владивосток (423)249-28-31	Красноярск (391)204-63-61	Пермь (342)205-81-47	Тула (4872)74-02-29
Волгоград (844)278-03-48	Курск (4712)77-13-04	Ростов-на-Дону (863)308-18-15	Тюмень (3452)66-21-18
Вологда (8172)26-41-59	Липецк (4742)52-20-81	Рязань (4912)46-61-64	Ульяновск (8422)24-23-59
Воронеж (473)204-51-73	Магнитогорск (3519)55-03-13	Самара (846)206-03-16	Уфа (347)229-48-12
Екатеринбург (343)384-55-89	Москва (495)268-04-70	Санкт-Петербург (812)309-46-40	Хабаровск (4212)92-98-04
Иваново (4932)77-34-06	Мурманск (8152)59-64-93	Саратов (845)249-38-78	Челябинск (351)202-03-61
Ижевск (3412)26-03-58	Набережные Челны (8552)20-53-41	Севастополь (8692)22-31-93	Череповец (8202)49-02-64
Иркутск (395)279-98-46	Нижний Новгород (831)429-08-12	Симферополь (3652)67-13-56	Ярославль (4852)69-52-93
Россия (495)268-04-70	Киргизия (996)312-96-26-47	Казахстан (7172)727-132	

General Accessories

Connector Cables

Type CONB1...

CARLO GAVAZZI



- Straight or 90° connector
- M12 version
- 3, 4 or 5 wire
- LEDs in transparent housing
- IP 67
- UL approved

Product Description

M12 connection cables for 3 wires, 4 wires or 5 wires. Come in straight or angled versions. Some versions are also with LED.

UL approved high quality connection cable either in PVC jacket or in the more durable PUR jacket. Standard lengths of 2m, 5m, 10m or 15m.

Ordering Key

CONB14NF-APT2P

CONB
 1 = M12 DC
 3 = 3 wire (BN, BU, BK)
 4 = 4 wire (BN, BU, BK, WH)
 5 = 5 wire (BN, BU, BK, WH, GY)
 N= Not shielded
 F= Female
 A = Angled
 S = Straight
 P= PNP
 N= NPN
 T= Transparent housing
 2 = 2 m
 5 = 5 m
 10 = 10 m
 15 = 15 m
 Blank = PVC cable
 P = PUR

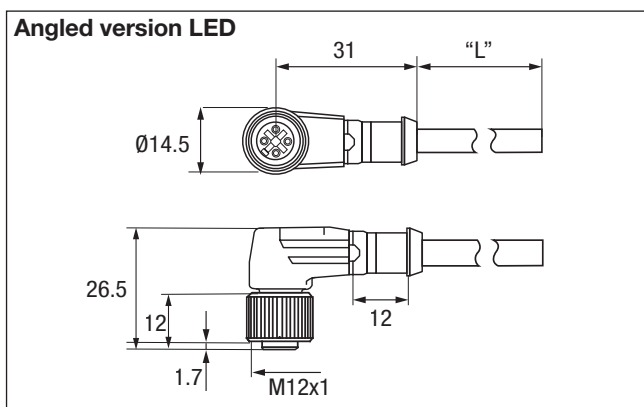
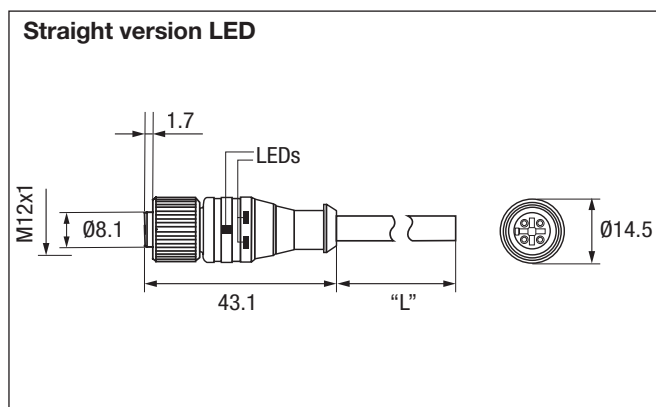
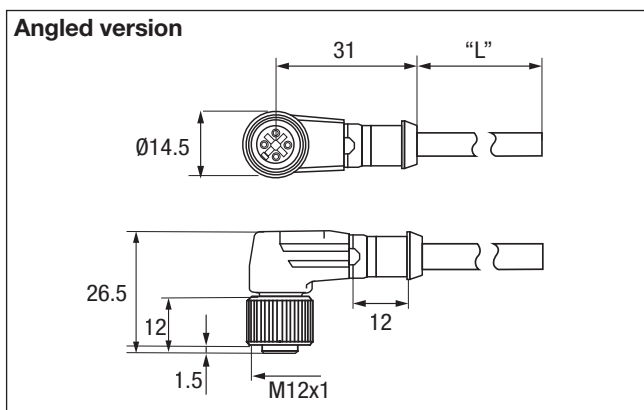
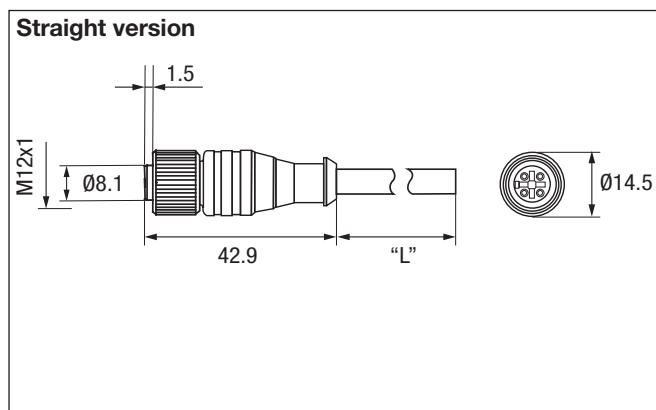
Type Selection

Plug type	Cable length	Ordering number PVC	Ordering number PVC LED NPN	Ordering number PVC LED PNP	Ordering number PUR
3-Wire Angled	2 m	CONB13NF-A2	CONB13NF-ANT2	CONB13NF-APT2	CONB13NF-A2P
	5 m	CONB13NF-A5	CONB13NF-ANT5	CONB13NF-APT5	CONB13NF-A5P
	10 m	CONB13NF-A10	-	-	CONB13NF-A10P
	15 m	CONB13NF-A15	-	-	CONB13NF-A15P
3-Wire Straight	2 m	CONB13NF-S2	-	-	CONB13NF-S2P
	5 m	CONB13NF-S5	-	-	CONB13NF-S5P
	10 m	CONB13NF-S10	-	-	CONB13NF-S10P
	15 m	CONB13NF-S15	-	-	CONB13NF-S15P
4-Wire Angled	2 m	CONB14NF-A2	CONB14NF-ANT2	CONB14NF-APT2	CONB14NF-A2P
	5 m	CONB14NF-A5	CONB14NF-ANT5	CONB14NF-APT5	CONB14NF-A5P
	10 m	CONB14NF-A10	-	-	CONB14NF-A10P
	15 m	CONB14NF-A15	-	-	CONB14NF-A15P
4-Wire Straight	2 m	CONB14NF-S2	CONB14NF-SNT2	CONB14NF-SPT2	CONB14NF-S2P
	5 m	CONB14NF-S5	CONB14NF-SNT5	CONB14NF-SPT5	CONB14NF-S5P
	10 m	CONB14NF-S10	-	-	CONB14NF-S10P
	15 m	CONB14NF-S15	-	-	CONB14NF-S15P
5-Wire Angled	2 m	CONB15NF-A2	-	-	CONB15NF-A2P
	5 m	CONB15NF-A5	-	-	CONB15NF-A5P
	10 m	CONB15NF-A10	-	-	CONB15NF-A10P
	15 m	CONB15NF-A15	-	-	CONB15NF-A15P
5-Wire Straight	2 m	CONB15NF-S2	-	-	CONB15NF-S2P
	5 m	CONB15NF-S5	-	-	CONB15NF-S5P
	10 m	CONB15NF-S10	-	-	CONB15NF-S10P
	15 m	CONB15NF-S15	-	-	CONB15NF-S15P

Specifications

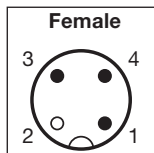
Rated operating voltage (U_B) 3 or 4 wire version 5 wire version LED versions	240V AC/DC 60V AC/DC 30V AC/DC	PVC 3 wires 4 wires 5 wires	0,34mm ² 0,25mm ² 0,34mm ²
Rated current	≤ 4 A	Contact material	CuSn
Contact resistance	≤ 5mΩ	Contact plating	Cu/Au
Rated impulse voltage 3 or 4 wire 5 wire	2.0KV 1.5KV	Contact bearer material	TPU orange
Insulation resistance	> 10 ⁹ Ω	Moulded body material	TPU translucent
Cable outer diameter PUR 3 wires 4 wires 5 wires PVC 3 wires 4 wires 5 wires	4.3 mm 4.7 mm 5.4 mm 5 mm 5 mm 5.7 mm	O-ring sealing	FKM
Wire cross section PUR 3 wires 4 wires 5 wires	0,34mm ² 0,34mm ² 0,50mm ²	Knurled nut	CuZn, nickel plated
		Degree of protection	IP 67
		Pollution degree	3
		Pin IEC standard	IEC61076-2-101
		Temperature	-40° to 90°C
		Weight* 2 m version 5 m version 10 m version 15 m version	approx 100 g approx 200 g approx 300 g approx 500 g *varies depending on model
		LED colour Power Output	Green Yellow

Dimensions

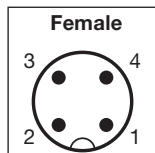


Contact layout

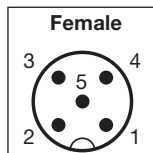
(3-wire)



(4-wire)



(5-wire)

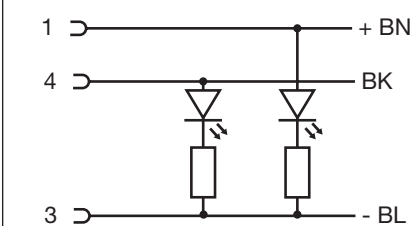


Colour Code

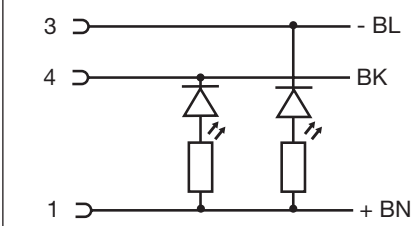
- 1 Brown (BN)
- 2 White (WH)
- 3 Blue (BL)
- 4 Black (BK)
- 5 Grey

LED Connections

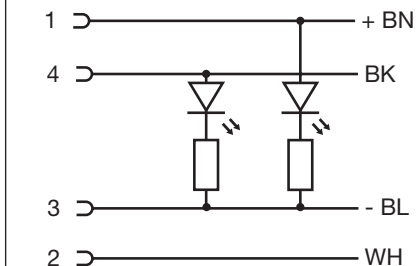
3-wire PNP angled version



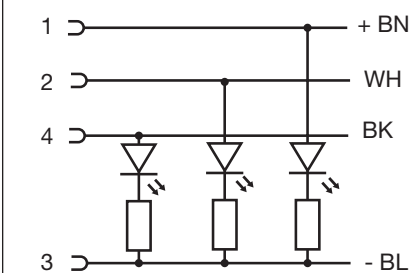
3-wire NPN angled version



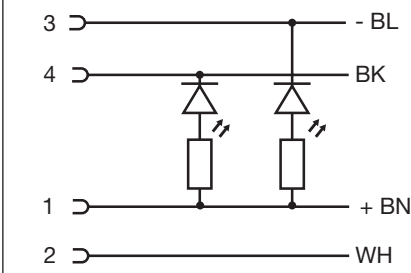
4-wire PNP straight version



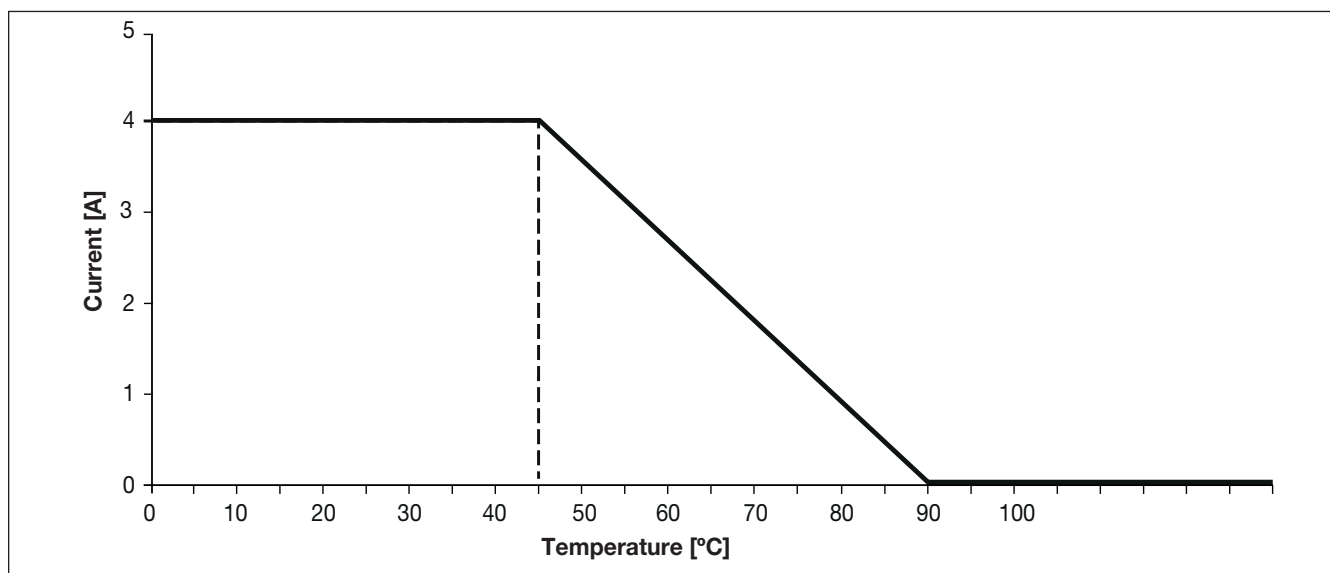
4-wire PNP angled version



4-wire NPN straight version



Derating curve (DIN EN 60512-5-2)



General Accessories

IP69K Connector Cables

Type CONB1...W

CARLO GAVAZZI



- IP69K version
- Straight or 90° connector
- M12 version
- 4-wire
- Good resistance against chemicals
- High temperature - up to 105°C (UL 90°C)
- UL and ECOLAB approved
- LED version also available

Product Description

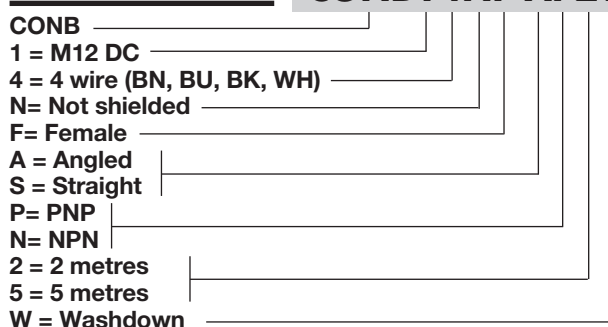
Highly robust IP69K connection cables for harsh environments. Especially suitable for use in washdown industries such as food & beverage, chemical and pharmaceutical industries thanks to the high standards of UL and ECOLAB. Featuring UL certified temperatures of up to 90°C, ECOLAB certification and IP69K protection class, the CONB IP69K connectors offer a guaranteed long term reliability even in the

harshes environments. Moreover, the connectors are resistant to aggressive chemicals and cleaning agents adhering to high Ecolab standards which make them very suitable to be used in Food & Beverage industry.

For maximum flexibility, the connectors are available in straight or angled versions as well as with or without LED in M12 connector, 4 wires.

Ordering Key

CONB14NF-AP2W



Type Selection

Plug type	Cable length	Ordering number TPE	Ordering number TPE LED PNP	Ordering number TPE LED NPN
4-Wire Angled	2 m	CONB14NF-A2W	CONB14NF-AP2W	CONB14NF-AN2W
	5 m	CONB14NF-A5W	CONB14NF-AP5W	CONB14NF-AN5W
4-Wire Straight	2 m	CONB14NF-S2W	CONB14NF-SP2W	CONB14NF-SN2W
	5 m	CONB14NF-S5W	CONB14NF-SP5W	CONB14NF-SN5W

Specifications

Rated operating voltage (U_B) LED versions	250 V ac/dc (30V UL) 30 VDC	Tightening torque	0.5 Nm
Output current	≤ 4 A	Connection cable	TPE orange
Contact resistance	≤ 5 mΩ	Wire cross section	4 x 0.25 mm ² (jacket Ø 4.7 mm)
Contact material Coating	Cu/Sn Cu/Au	Weight 2 m version 5 m version	approx 63 g approx 109 g
Contact bearer material	PP white	Pollution degree	3
Temperature	-40° to +105°C (90°C UL) -40° to +221°F (194°F UL)	Overvoltage category	III
Degree of protection	IP69K	Insulation group	I
O-ring sealing	EPDM	LED colour* Power Output**	Green LED 1 Yellow LED
Rated Impulse Voltage Insulation resistance	2.5 kV > 10 ⁹ Ohm		
Moulded body material	PP white		
Union Locking nut	V4A		

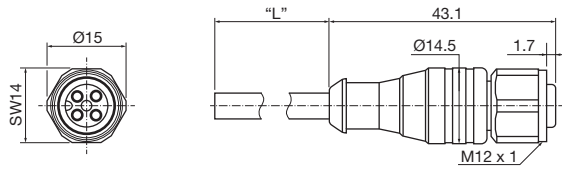
* Please refer to wiring diagram section

**CONB14NF-AP.W: 2 Yellow LEDs

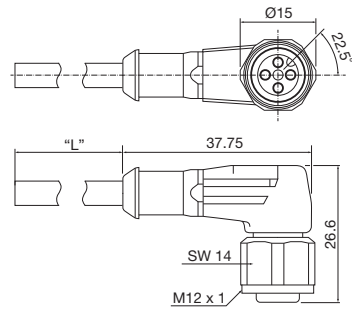


Dimensions

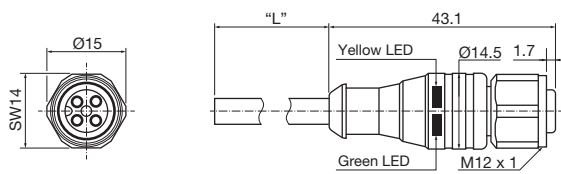
Straight Version



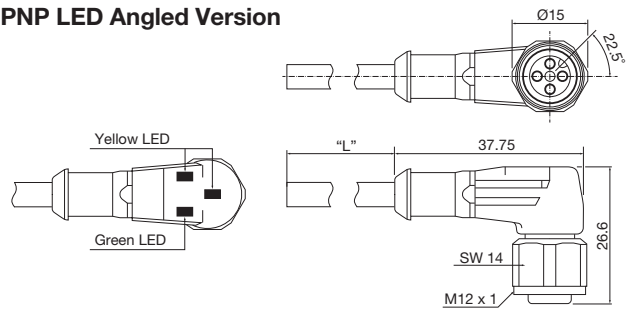
Angled Version



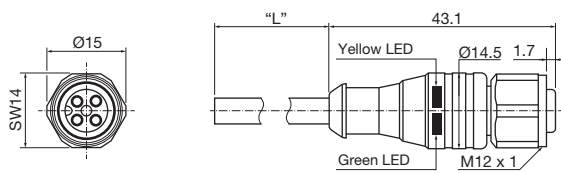
PNP LED Straight Version



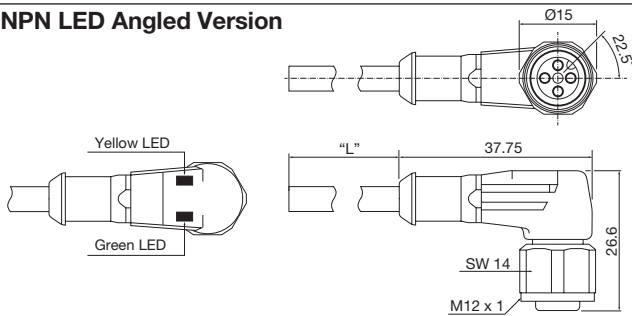
PNP LED Angled Version



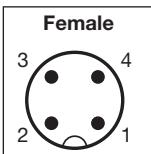
NPN LED Straight Version



NPN LED Angled Version



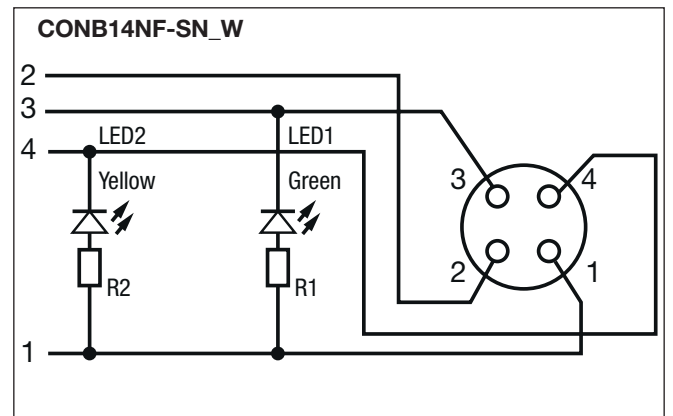
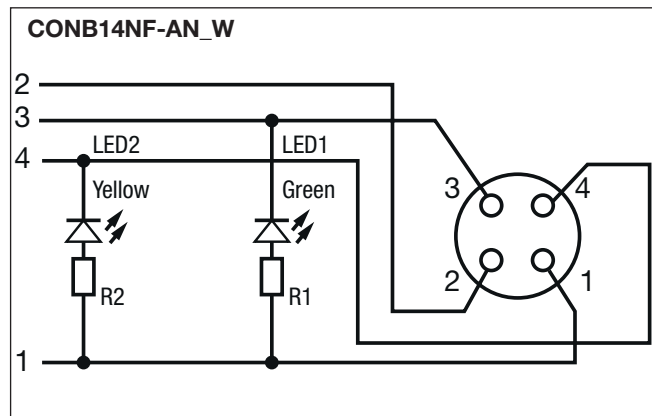
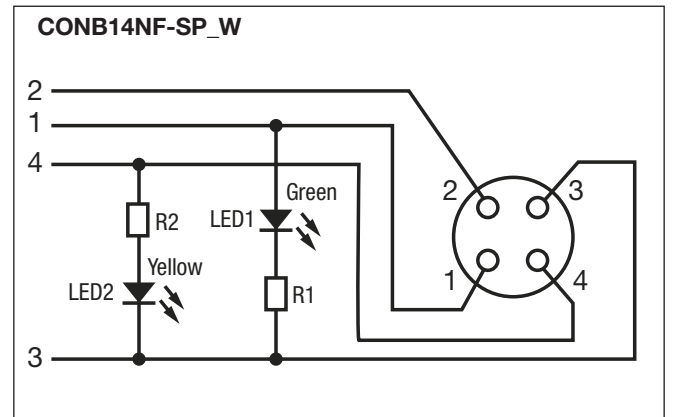
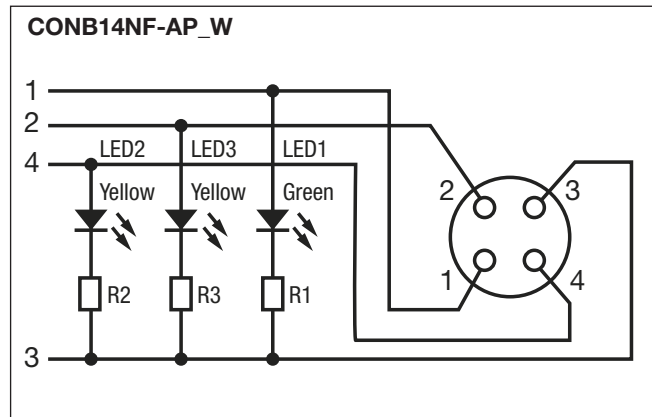
Contact layout



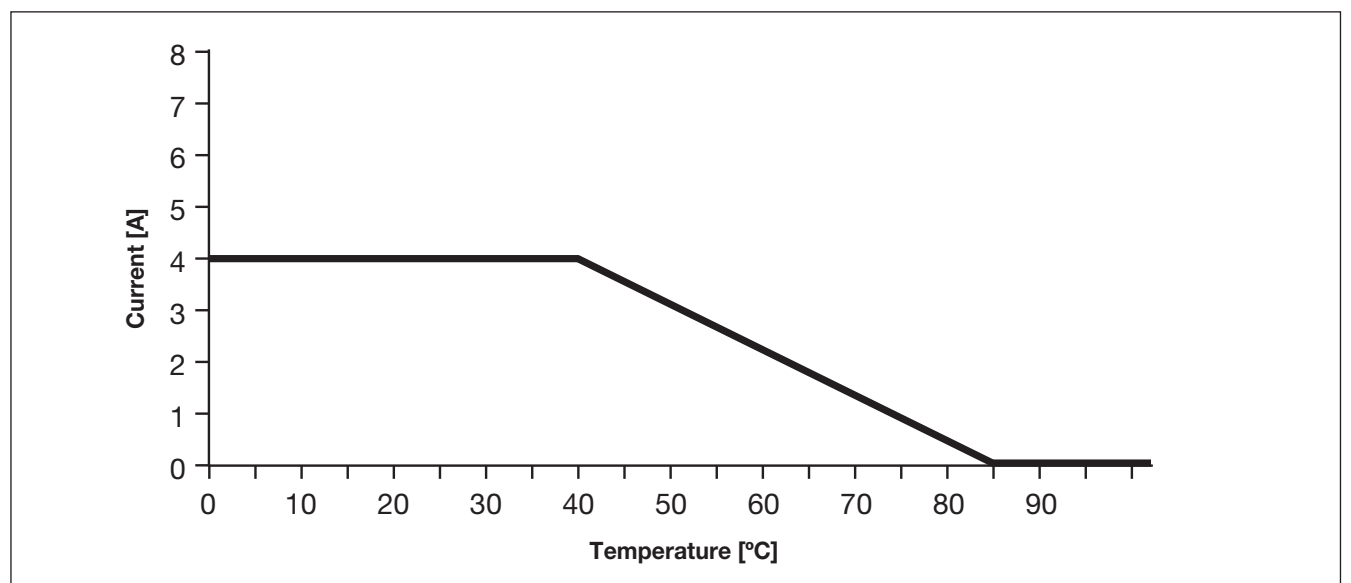
Colour Code

- 1 Brown
- 2 White
- 3 Blue
- 4 Black

Wiring Diagram



Derating Curve (DIN EN 60512-5-2)



General Accessories

Connectors

Type CONB5...

CARLO GAVAZZI



CONB5x-Ax



CONB5x-Sx

- Straight or 90° connectors
- M8 version
- 3 or 4 wire
- LEDs in transparent housing
- IP 67
- UL approved

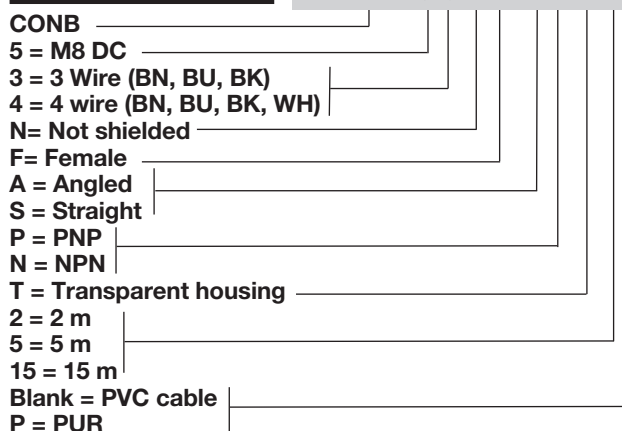
Product Description

M8 connection cables for 3 wires or 4 wires. Come in straight or angled versions. Some versions are also with LED.

UL approved high-quality connection cable either in PVC jacket or in the more durable PUR jacket.

Ordering Key

CONB53NF-APT2P



Type Selection

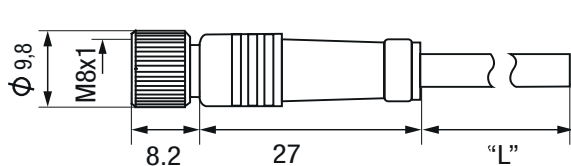
Plug type	Cable length	Ordering number	Ordering number	Ordering number	Ordering number
		PVC	PUR	PVC LED NPN	PVC LED PNP
3-Wire Angled	2 m	CONB53NF-A2	CONB53NF-A2P	CONB53NF-ANT2	CONB53NF-APT2
	5 m	CONB53NF-A5	CONB53NF-A5P	CONB53NF-ANT5	CONB53NF-APT5
	10 m	CONB53NF-A10	CONB53NF-A10P		
	15 m	CONB53NF-A15	CONB53NF-A15P		
3-Wire Straight	2 m	CONB53NF-S2	CONB53NF-S2P		
	5 m	CONB53NF-S5	CONB53NF-S5P		
	10 m	CONB53NF-S10	CONB53NF-S10P		
	15 m	CONB53NF-S15	CONB53NF-S15P		
4-Wire Angled	2 m	CONB54NF-A2	CONB54NF-A2P		
	5 m	CONB54NF-A5	CONB54NF-A5P		
	10 m	CONB54NF-A10	CONB54NF-A10P		
	15 m	CONB54NF-A15	CONB54NF-A15P		
4-Wire Straight	2 m	CONB54NF-S2	CONB54NF-S2P		
	5 m	CONB54NF-S5	CONB54NF-S5P		
	10 m	CONB54NF-S10	CONB54NF-S10P		
	15 m	CONB54NF-S15	CONB54NF-S15P		

Specifications

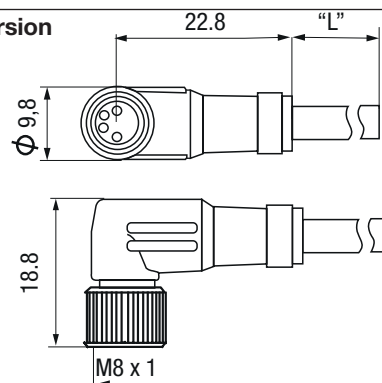
Rated operating voltage 3 & 4 wire LED versions	60VAC/DC 30 VDC	Moulded body material	TPU translucent
Rated current	≤4A	O-ring sealing	FKM
Contact resistance	≤5mΩ	Coupling screw	CuZn, nickel plated
Rated impulse voltage	1.5KV	Tightening torque	0.5 Nm
Insulation resistance	>10 ⁹ Ω	Degree of protection	IP67
Cable outer diameter PUR PVC	4.3mm 5.0mm	Pollution degree	3
Wire cross section	3 wires: 0,34mm ² 4 wires: 0,25mm ²	Pin IEC standard	IEC61076-2-104
Cable	PVC or PUR, black	Temperature	-40° to 90°C
Contact material	CuSn	Weight* 2m version 5m version 10m version 15m version	approx 100g approx 200g approx 300g approx 500g *varies depending on model
Contact plating	pre-nickelled and gold plated	LED colour Power Output	green yellow
Contact bearer material	PA/TPU orange		

Dimensions

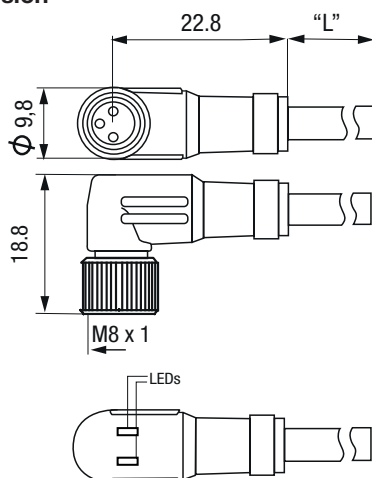
Straight version



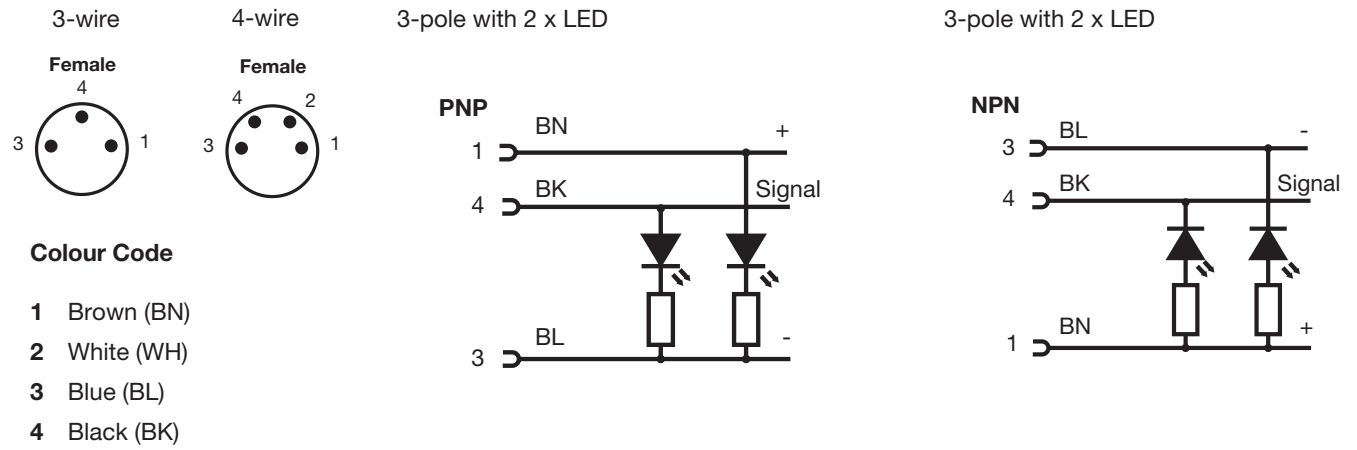
Angled version



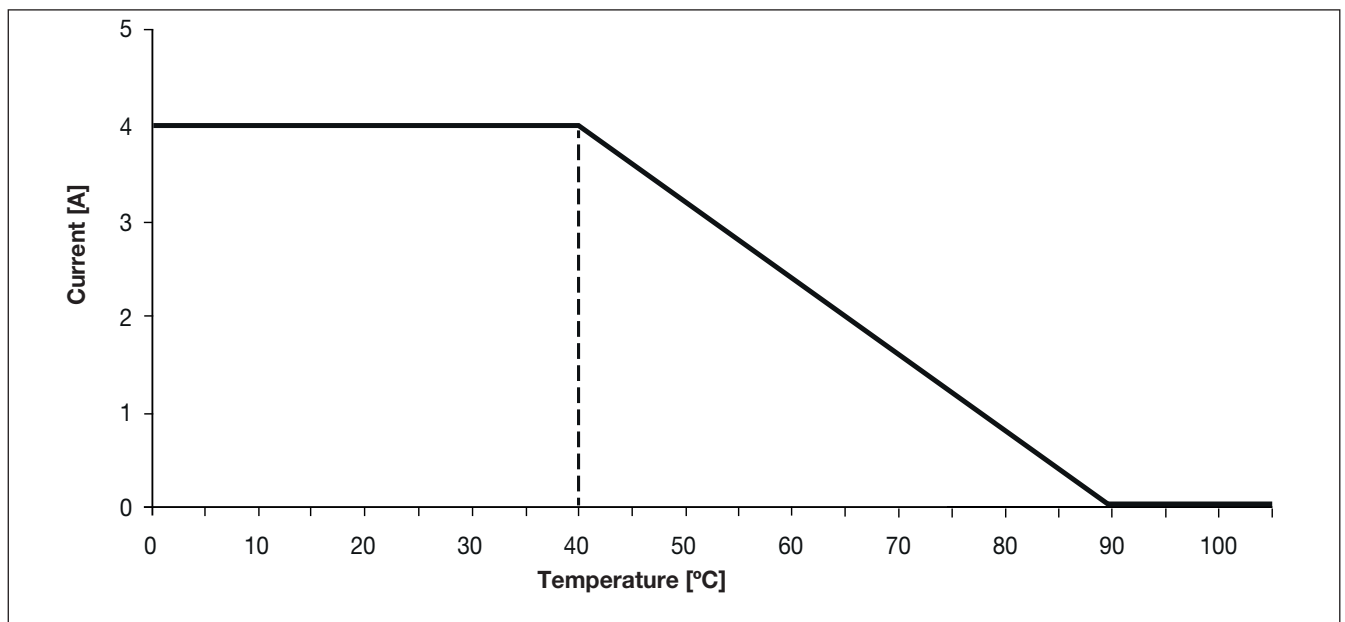
LED version



Contact layout



Derating curve (DIN EN 60512-5-2)



General Accessories

Connector Plug Terminals

Type CONB14NF-A/S

CARLO GAVAZZI



- Straight or 90° connectors
- M12 version
- 4 wire
- IP 67
- UL approved

Product Description

M12 connector plug terminals for 4 wires. High quality and approved by UL. Come in straight or angled versions.

Ordering Key

CONB14NF-A/S

CONB _____
 1 = M12 DC _____
 4 = 4 wire (BN, BU, BK, WH) _____
 N= Not shielded _____
 F= Female _____
 A = Angled _____
 S = Straight _____

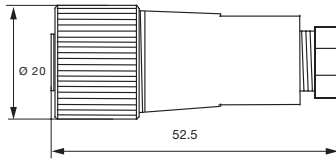
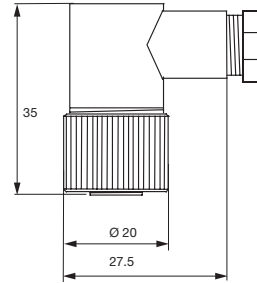
Type Selection

Plug type	Ordering number
4-Wire Angled	CONB14NF-A
4-Wire Straight	CONB14NF-S

Specifications

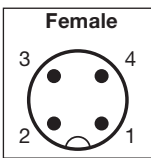
Rated operating voltage	250VAC/DC	Moulded body material	PBT, black
Rated current	≤4A	O-ring sealing	FKM
Contact resistance	≤5mΩ	Coupling nut	PBT, black
Rated impulse voltage	2.0KV	Cup nut	PBT, black
Insulation resistance	>10 ⁹ Ω	Knurled but	CuZn, nickel plated
Cable outlet diameter	3.6 to 5mm	Degree of protection	IP67
Connection wires	max 0.75mm ²	Pollution Degree	3
Contact Material	CuZn	Temperature	-25° to 90°C
Contact plating	CuSnZn, pre-coppered	Weight	approx 25g
Contact bearer material	PBT, black		

Dimensions

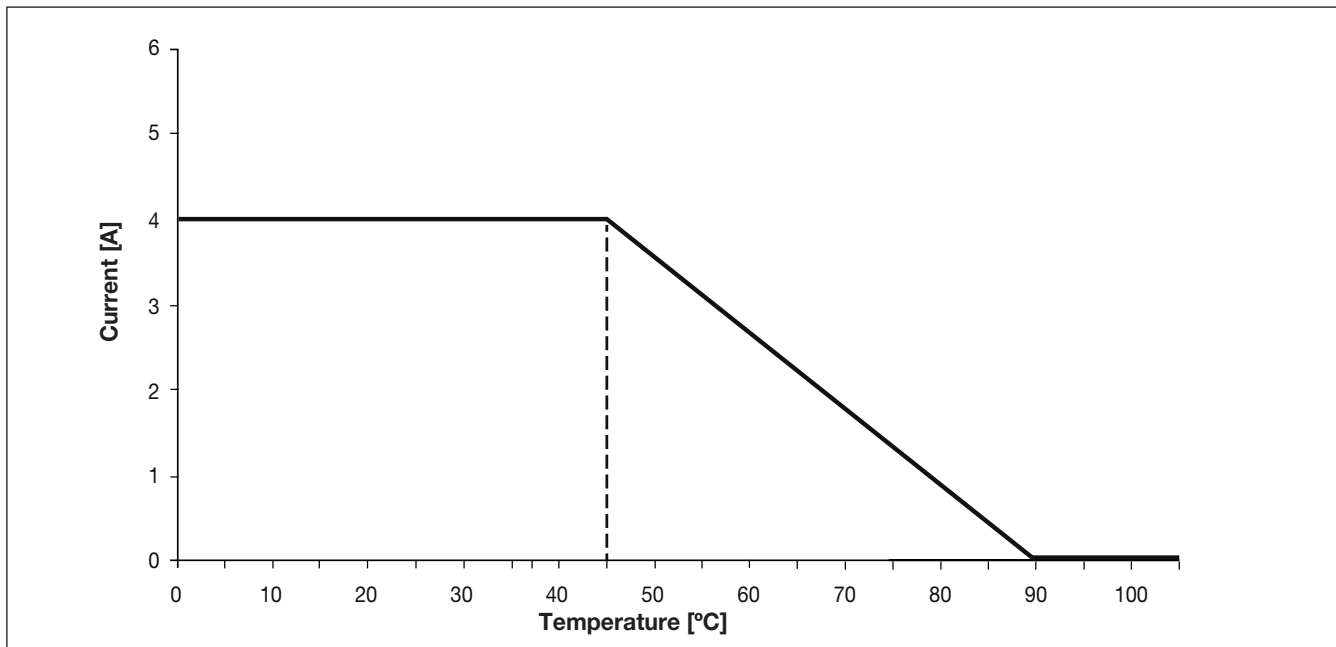
Straight version**Angled version**

Contact layout

(4-wire)



Derating curve (DIN EN 60512-5-2)

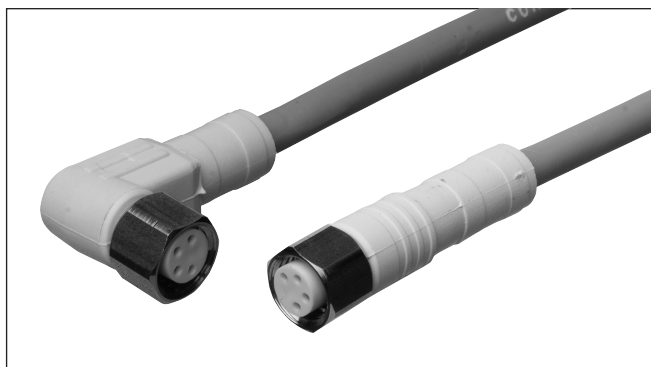


General Accessories

M8 IP69K Connector Cables

Type CONB54-..W

CARLO GAVAZZI



- IP69K version
- Straight or 90° connector
- M8 version
- 4-wire
- Good resistance against chemicals
- High temperature - up to 105°C (UL 90°C)
- UL and ECOLAB approved

Product Description

Highly robust IP69K connection cables for harsh environments. Especially suitable for use in washdown industries such as food & beverage, chemical and pharmaceutical industries thanks to the high standards of UL and ECOLAB. Featuring UL certified temperatures of up to 90°C, ECOLAB certification and IP69K protection class, the CONB IP69K connectors offer a guaranteed

long term reliability even in the harshest environments. Moreover, the connectors are resistant to aggressive chemicals and cleaning agents adhering to high Ecolab standards which make them very suitable to be used in Food & Beverage industry.

For maximum flexibility, the connectors are available in straight or angled versions in M8 connector, 4 wires.

Ordering Key

CONB54NF-A2W

CONB _____
 5 = M8 DC _____
 4 = 4 wire (BN, BU, BK, WH) _____
 N= Not shielded _____
 F= Female _____
 A = Angled _____
 S = Straight _____
 2 = 2 metres _____
 5 = 5 metres _____
 W = Washdown _____

Type Selection

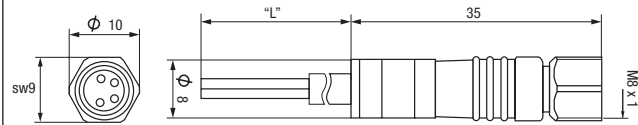
Plug type	Cable length	Ordering number TPE
4-Wire Angled	2 m	CONB54NF-A2W
	5 m	CONB54NF-A5W
4-Wire Straight	2 m	CONB54NF-S2W
	5 m	CONB54NF-S5W

Specifications

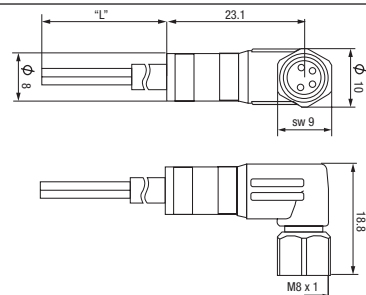
Rated operating voltage (U _B)	30V AC/DC	Tightening torque	0.5 Nm
Output current	≤ 4 A	Connection cable	TPE orange
Contact resistance	≤ 5 mΩ	Wire cross section	4 x 0.25 mm ² (jacket Ø 4.7 mm)
Contact material	Cu/Sn	Weight	approx 54g approx 130g
Coating	Cu/Au	2 m version	
Contact bearer material	PP white	5 m version	
Temperature	-40° to +105°C (90°C UL) -40° to +221°F (194°F UL)	Pollution degree	3
Degree of protection	IP69K	Overvoltage category	III
O-ring sealing	EPDM		
Rated Impulse Voltage	0.8 kV		
Insulation resistance	> 10 ⁹ Ω		
Moulded body material	PP white		
Union Locking nut	V4A		

Dimensions

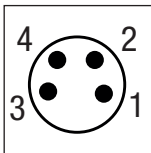
Straight Version



Angled Version



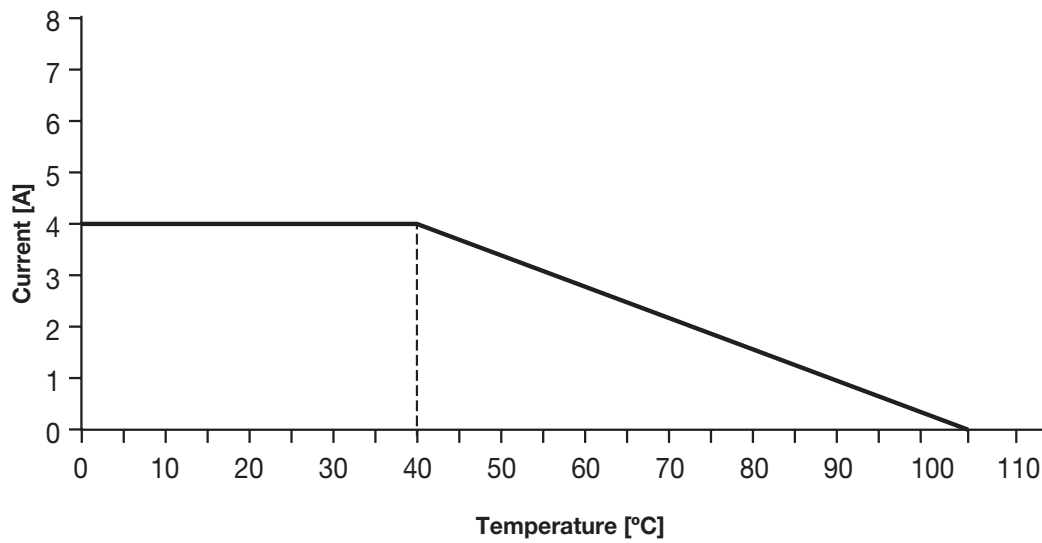
Contact layout



Colour Code

- 1 Brown
- 2 White
- 3 Blue
- 4 Black

Derating Curve (DIN EN 60512-5-2)



CON E



M8 and M12 connector cables



Description

M8 and M12 connection cables, for 3 wires, 4 wires or 5 wires.
 Come in straight or angled versions, also with LED and customized cable lengths.
 UL approved high-quality connection cable either in PVC jacket or in the more durable PUR jacket.

Main features

- M12 or M8 version and optionally LED indicator
- Straight or right angle cordset connector end
- 3 or 4 wires for M8 version, 3, 4, or 5 wires for M12 version
- Female connector
- PVC or PUR cable jacket
- Push-on for M8 version available
- Operating temperature: -40°C to 105°C (-40°F to 221°F)
- Standard lengths of 2m or 5m (customized cordsets to specific lengths are also available)
- IP 67
- UL approved

References

Order code

CONE N F -

Enter the code option instead of

Code	Option	Description	Note
CONE	-	Family name	
<input type="checkbox"/>	(null)	Threaded connection	
<input type="checkbox"/>	P	Push-on connection	Only for M8 version
<input type="checkbox"/>	1	M12	
<input type="checkbox"/>	5	M8	
<input type="checkbox"/>	3	3 wire (BN, BU, BK)	
<input type="checkbox"/>	4	4 wire (BN, BU, BK, WH)	
<input type="checkbox"/>	5	5 wire (BN, BU, BK, WH, GY)	Only for M12 version
N	-	Not shielded	
F	-	Female	
-	-		
<input type="checkbox"/>	A	Angled	
<input type="checkbox"/>	S	Straight	
<input type="checkbox"/>	(null)	No LED	
<input type="checkbox"/>	NT	NPN LED	Transparent housing
<input type="checkbox"/>	PT	PNP LED	Transparent housing
<input type="checkbox"/>	2	Cable length: 2 m	
<input type="checkbox"/>	5	Cable length: 5 m	
<input type="checkbox"/>	10	Cable length: 10 m	
<input type="checkbox"/>	15	Cable length: 15 m	
<input type="checkbox"/>	(null)	PVC	
<input type="checkbox"/>	P	PUR	



Type selection

M8 - 3 wires

Plug type	Cable length	LED	Jacket	Code	
Angled	2 m	-	PVC	CONE53NF-A2	
		-	PUR	CONE53NF-A2P*	
		NPN	PVC	CONE53NF-ANT2*	
		PNP		CONE53NF-APT2*	
	5 m	-	PVC	CONE53NF-A5	
		-	PUR	CONE53NF-A5P*	
		NPN	PVC	CONE53NF-ANT5*	
		PNP		CONE53NF-APT5*	
	10 m	-	PVC	CONE53NF-A10*	
		-	PUR	CONE53NF-A10P*	
	15 m	-	PVC	CONE53NF-A15*	
		-	PUR	CONE53NF-A15P*	
	Push-on, angled (not UL approved)	2 m	-	PVC	CONEP53NF-A2*
	Straight	2 m	-	PVC	CONE53NF-S2
-			PUR	CONE53NF-S2P*	
5 m		-	PVC	CONE53NF-S5	
		-	PUR	CONE53NF-S5P*	
10 m		-	PVC	CONE53NF-S10*	
		-	PUR	CONE53NF-S10P*	
15 m		-	PVC	CONE53NF-S15*	
		-	PUR	CONE53NF-S15P*	
Push-on, straight (not UL approved)		2 m	-	PVC	CONEP53NF-S2*

M8 - 4 wires

Plug type	Cable length	LED	Jacket	Code
Angled	2 m	-	PVC	CONE54NF-A2
		-	PUR	CONE54NF-A2P*
	5 m	-	PVC	CONE54NF-A5
		-	PUR	CONE54NF-A5P*
	10 m	-	PVC	CONE54NF-A10*
		-	PUR	CONE54NF-A10P*
	15 m	-	PVC	CONE54NF-A15*
		-	PUR	CONE54NF-A15P*
Straight	2 m	-	PVC	CONE54NF-S2
		-	PUR	CONE54NF-S2P*
	5 m	-	PVC	CONE54NF-S5
		-	PUR	CONE54NF-S5P*
	10 m	-	PVC	CONE54NF-S10*
		-	PUR	CONE54NF-S10P*
	15 m	-	PVC	CONE54NF-S15*
		-	PUR	CONE54NF-S15P*

* Available on request



M12 - 3 wires

Plug type	Cable lenght	LED	Jacket	Code
Angled	2 m	-	PVC	CONE13NF-A2
		-	PUR	CONE13NF-A2P*
		NPN	PVC	CONE13NF-ANT2*
		PNP		CONE13NF-APT2*
	5 m	-	PVC	CONE13NF-A5
		-	PUR	CONE13NF-A5P*
		NPN	PVC	CONE13NF-ANT5*
		PNP		CONE13NF-APT5*
		PNP	PUR	CONE13NF-APT5P*
	10 m	-	PVC	CONE13NF-A10*
		-	PUR	CONE13NF-A10P*
	15 m	-	PVC	CONE13NF-A15*
		-	PUR	CONE13NF-A15P*
	Straight	2 m	-	PVC
-			PUR	CONE13NF-S2P*
5 m		-	PVC	CONE13NF-S5
		-	PUR	CONE13NF-S5P*
10 m		-	PVC	CONE13NF-S10*
		-	PUR	CONE13NF-S10P*
15 m		-	PVC	CONE13NF-S15*
		-	PUR	CONE13NF-S15P*

* Available on request



M12 - 4 wires



Plug type	Cable length	LED	Jacket	Code	
Angled	2 m	-	PVC	CONE14NF-A2	
		-	PUR	CONE14NF-A2P*	
		NPN	PVC	CONE14NF-ANT2*	
		PNP		CONE14NF-APT2*	
	5 m	-	PVC	CONE14NF-A5	
		-	PUR	CONE14NF-A5P*	
		NPN	PVC	CONE14NF-ANT5*	
		PNP		CONE14NF-APT5*	
	10 m	-	PVC	CONE14NF-A10*	
		-	PUR	CONE14NF-A10P*	
	15 m	-	PVC	CONE14NF-A15*	
		-	PUR	CONE14NF-A15P*	
	Straight	2 m	-	PVC	CONE14NF-S2
			-	PUR	CONE14NF-S2P*
NPN			PVC	CONE14NF-SNT2*	
PNP				CONE14NF-SPT2*	
5 m		-	PVC	CONE14NF-S5	
		-	PUR	CONE14NF-S5P*	
		NPN	PVC	CONE14NF-SNT5*	
		PNP		CONE14NF-SPT5*	
10 m		-	PVC	CONE14NF-S10*	
		-	PUR	CONE14NF-S10P*	
15 m		-	PVC	CONE14NF-S15*	
		-	PUR	CONE14NF-S15P*	

M12 - 5 wires

Plug type	Cable length	LED	Jacket	Code	
Angled	2 m	-	PVC	CONE15NF-A2*	
		-	PUR	CONE15NF-A2P*	
	5 m	-	PVC	CONE15NF-A5*	
		-	PUR	CONE15NF-A5P*	
	10 m	-	PVC	CONE15NF-A10*	
		-	PUR	CONE15NF-A10P*	
	15 m	-	PVC	CONE15NF-A15*	
		-	PUR	CONE15NF-A15P*	
	Straight	2 m	-	PVC	CONE15NF-S2
			-	PUR	CONE15NF-S2P*
5 m		-	PVC	CONE15NF-S5	
		-	PUR	CONE15NF-S5P*	
10 m		-	PVC	CONE15NF-S10*	
		-	PUR	CONE15NF-S10P*	
15 m		-	PVC	CONE15NF-S15*	
		-	PUR	CONE15NF-S15P*	

* Available on request

Accessories

	Description	Code
	M12 connector plug terminal - 4 wires, angled (not UL approved)	CONE14NF-A
	M12 connector plug terminal - 4 wires, straight (not UL approved)	CONE14NF-S



Features

M8 - Electrical data

	3 wires version	4 wires version	LED version
Rated operating voltage (U _B)	60V AC/DC	30V AC/DC	30V AC/DC
Rated current	≤ 4A	≤ 4A	≤ 4A
Contact resistance	≤ 5mΩ	≤ 5mΩ	≤ 5mΩ
Rated impulse voltage	1.5KV	1.5KV	1.5KV
Insulation resistance	10 ⁹ Ω	10 ⁹ Ω	10 ⁹ Ω
LED colour	-	-	Power: green Output: yellow

M12 - Electrical data

	3 or 4 wires version	5 wires version	LED version
Rated operating voltage (U _B)	250V AC/DC	60V AC/DC	30V AC/DC
Rated current	≤ 4A	≤ 4A	≤ 4A
Contact resistance	≤ 5mΩ	≤ 5mΩ	≤ 5mΩ
Rated impulse voltage	2KV	1.5KV	2KV / 1.5KV / 0.8KV
Insulation resistance	10 ⁹ Ω	10 ⁹ Ω	10 ⁹ Ω
LED colour	-	-	Power: green Output 3-wire: yellow Output 4, 5-wire: yellow / red

Mechanical data

	M8	M12
Cable outer diameter	PUR 4.4mm ±0.15mm PVC 4.4mm ±0.15mm	PUR 5.2mm ±0.15mm PVC 5.2mm ±0.15mm
Wire cross section	0.25mm ²	0.34mm ²
Cable PVC or PUR	Gray	Gray
Contact material	CuSn	CuSn
Contact plating	Pre-nickelled and gold plated	Pre-nickelled and gold plated
Contact bearer material	PA black	PA black
Moulded body material	TPU	TPU
O-ring sealing	FKM	FKM
Coupling screw	Zinc alloy die casting, nickel plated	Zinc alloy die casting, nickel plated
Tightening torque	0.4 Nm	0.6 Nm
Weight*	2m version approx 100g 5m version approx 200g 10m version approx 300g 15m version approx 500g	2m version approx 100g 5m version approx 200g 10m version approx 300g 15m version approx 500g






*varies depending on model



Environmental

Degree of protection	IP67
Pollution degree	3
Pin IEC standard	IEC61076-2-104
Temperature	PVC: -40°C to 105°C (-40°F to 221°F). UL: -20°C to +80°C (-4°F to 176°F) PUR: -40°C to 80°C (-40°F to 176°F). UL: -40°C to +80°C (-40°F to 176°F)

Compatibility and conformity

Approvals	  
CONEP53NF-A2; CONEP53NF-S2 CONE14NF-A; CONE14NF-S	 

Dimensions [mm]

M8

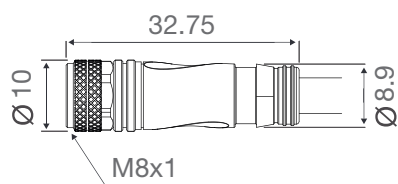


Fig. 1 Straight

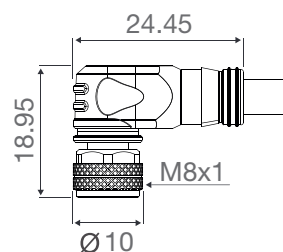


Fig. 2 Angled

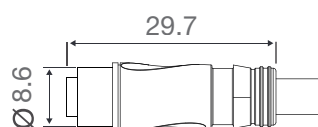


Fig. 3 Push-on, straight

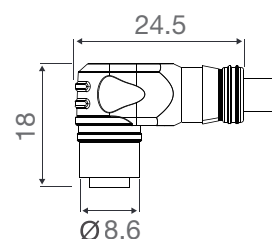


Fig. 4 Push-on, angled

M12

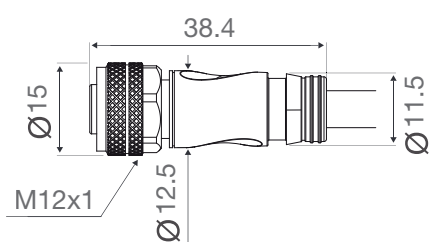


Fig. 5 Straight

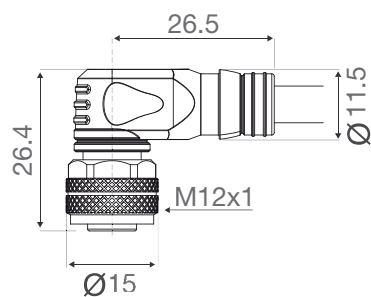


Fig. 6 Angled

Contact layout

M8

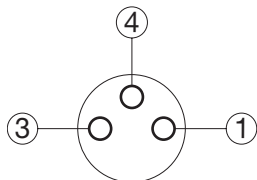


Fig. 7 3-wire

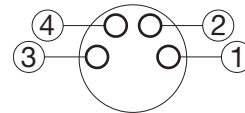


Fig. 8 4-wire

M12

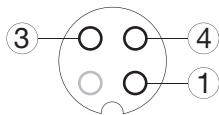


Fig. 9 3-wire

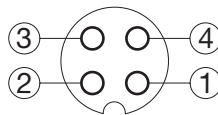


Fig. 10 4-wire

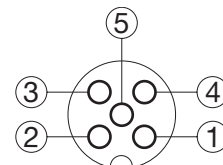


Fig. 11 5-wire

Colour code

1	2	3	4	5
BN: brown	WH: white	BU: blue	BK: black	GY: grey

LED connection

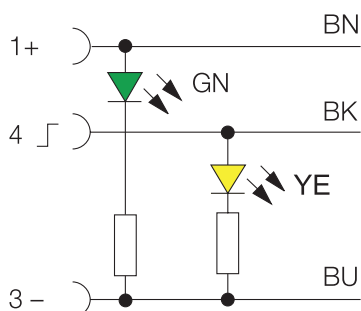


Fig. 12 3-wire, PNP

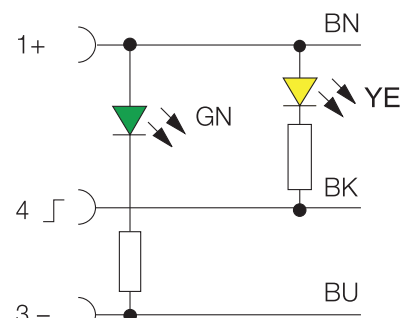


Fig. 13 3-wire, NPN

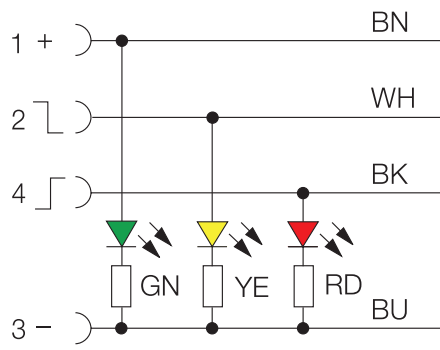


Fig. 14 4-wire, PNP

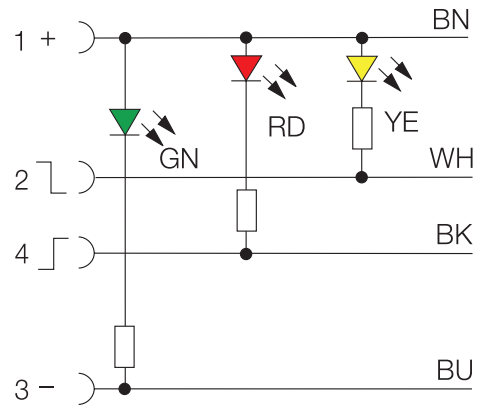


Fig. 15 4-wire, NPN

Derating curve (DIN EN 60512-5-2)

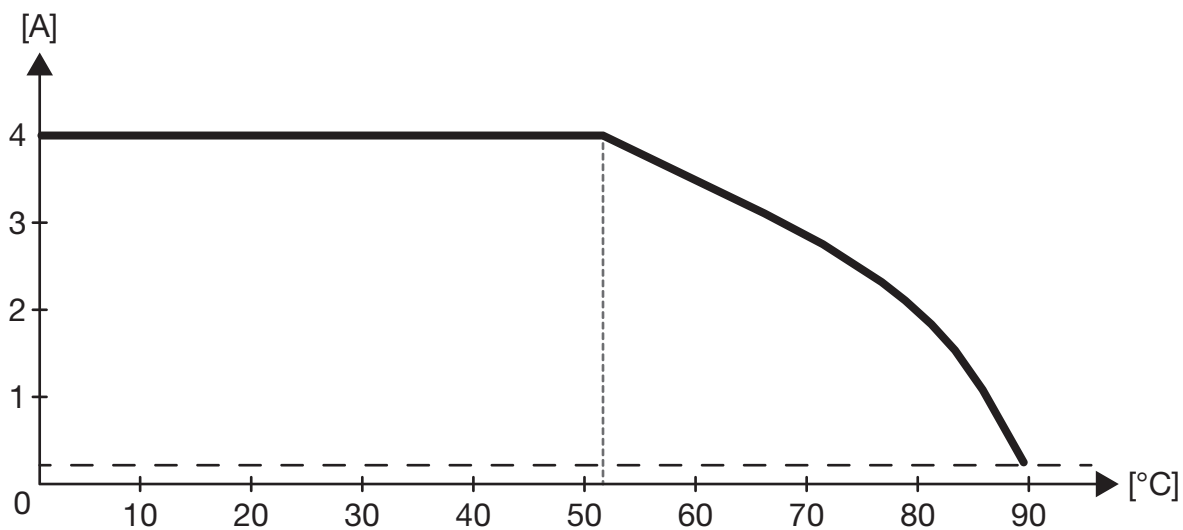
M8

Fig. 16 X: ambient temperature [°C]; Y: current [A]

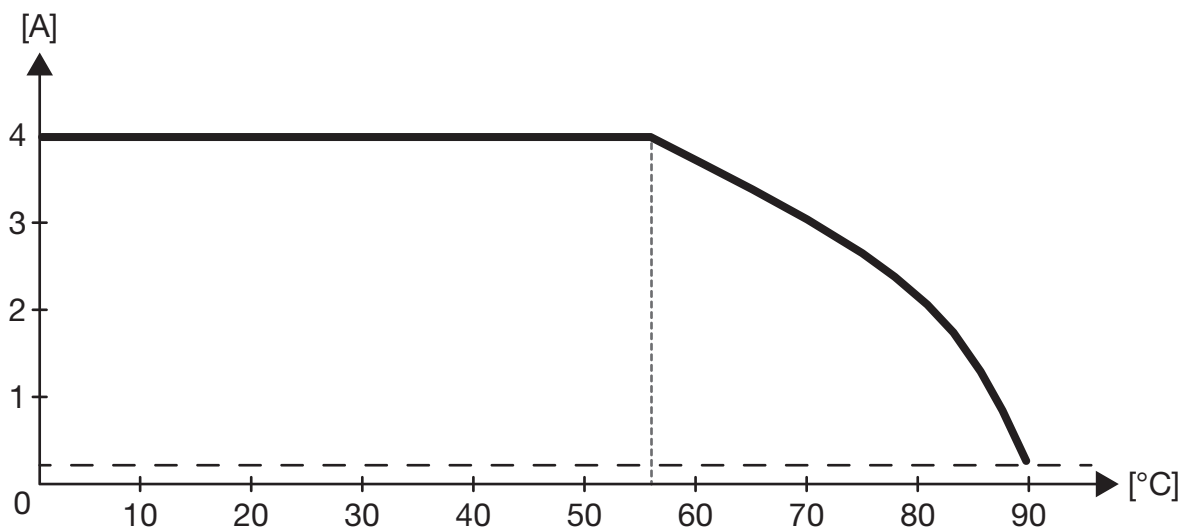
M12

Fig. 17 X: ambient temperature [°C]; Y: current [A]

General Accessories

Plugs

Type CONG

CARLO GAVAZZI



- Straight or 90° connector
- Union nut M12 or M8
- Connection cable PVC
- Moulded PUR housing
- CE-marking
- Degree of protection IP 68
- EN 60947-5-2

Product Description

The CONG.. is a family of inexpensive general purpose connectors for sensor connection. Ideal for connecting sensors in control and automation tech-

nology. The connector is available in 3 or 4 wire versions as well as straight or angled versions.

Ordering Key

CONG1A-A5

CONG = Carlo Gavazzi

1 = M12 DC

5 = M8 DC

A = Antivalent (NO + NC)

O = Normally open (NO)

A = 90° angle

S = Straight

2 = 2 meters

5 = 5 meters

Type Selection - DC Types

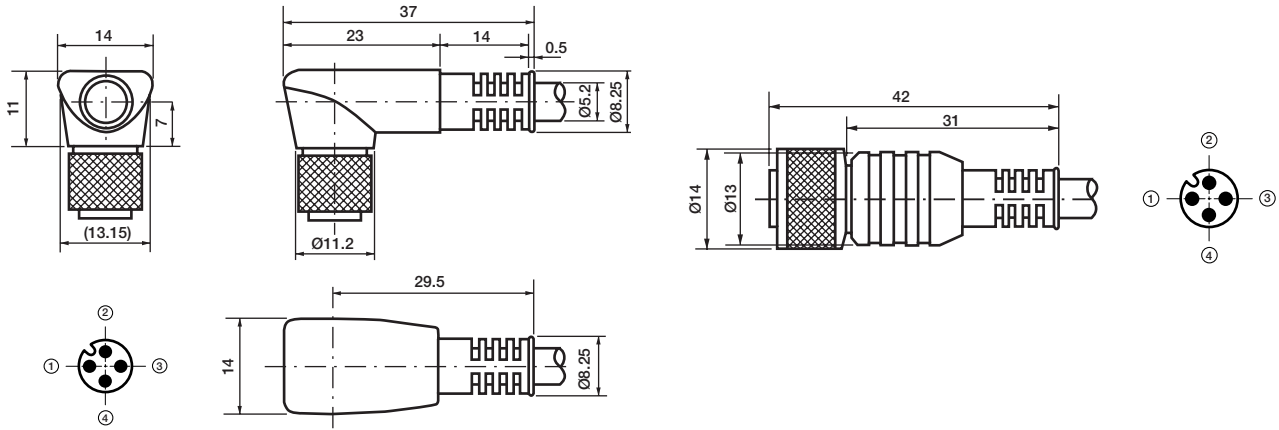
Plug type	Cable length	Ordering number	Ordering number	Ordering number	Ordering number
		Straight 3-wire version	Angled 3-wire version	Straight 4-wire version	Angled 4-wire version
M12	2 m	CONG10-S2	CONG10-A2	CONG1A-S2	CONG1A-A2
	5 m	CONG10-S5	CONG10-A5	CONG1A-S5	CONG1A-A5
M8	2 m			CONG5A-S2	CONG5A-A2
	5 m			CONG5A-S5	CONG5A-A5

Specifications

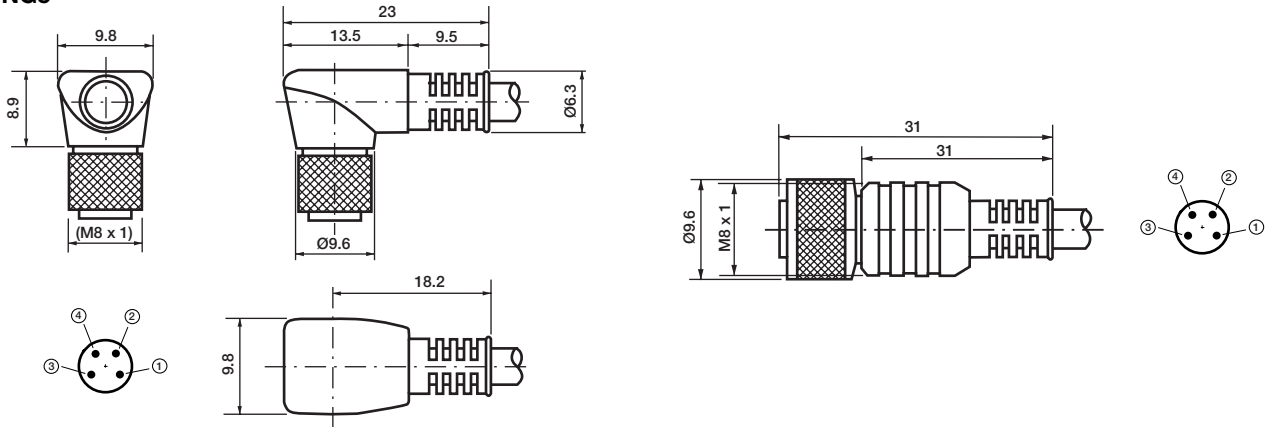
Rated operating voltage (U_B)	250 VAC/300 VDC	O-ring sealing	Vitron (Trade mark of Du Pont)
Output current	≤ 4 A	Insulation test	2.0 kV/eff./60 s
Contact resistance	≤ 6 mΩ	Moulded body material	PUR/black
Contact material	CuZn (brass)	Union nut	CuZn (brass)
Coating	0.3 micron Au (gold)	Coating	Nickel plated
Pin diameter	1 mm	Connection cable	Light grey, oilproof PVC
Contact bearer material	Nylon, glass reinforced, black	Wire cross section	0.34 mm ² (42 x 0.10)
Pin and key code position	EN 60947-5-2	Weight	
Temperature		2 m version	85 g
Fixed mounting	-25° to +90°C (-77° to +194°F)	5 m version	205 g
Degree of protection	IP 68		

Dimensions

CONG1



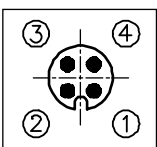
CONG5



Pin View of Cable Connectors

CONG1

(A) NO (3-wire)



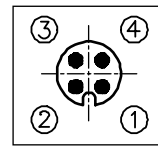
1 +
2 Not conn.
3 -
4 NO
Signal

3-wire:

1 = Brown
2 = not connected
3 = Blue
4 = Black

CONG1

(B) NO/NC (4-wire)



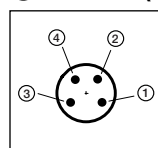
1 +
2 NC
Signal
3 -
4 NO
Signal

4-wire:

1 = Brown
2 = White
3 = Blue
4 = Black

CONG5

(C) NO/NC (4-wire)



1 +
2 NC
Signal
3 -
4 NO
Signal

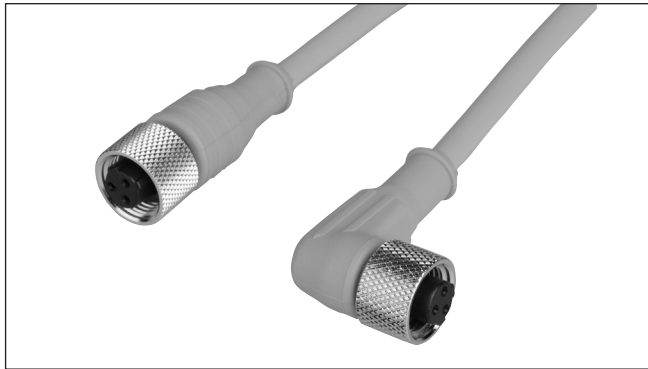
4-wire:

1 = Brown
2 = White
3 = Blue
4 = Black

General Accessories

Connector Cables

Type CONH



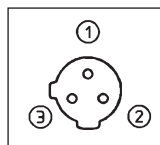
- Straight or 90° connector
- M12 versions
- PVC cable
- AC
- UL, CSA
- IP 67

Product Description

Waterproof connectors for 3-types. Moulded cable sets sensors and controls. available for 2 & 5 meter long For AC supplied systems. cable. PVC cable available.

Pin View of Sensor Connectors

NO/NC (3-wire)



- 1 GND, green
- 2 AC, red/black
- 3 AC, red/white

Ordering Key

CONH6A-S2

- CONH = Hirschmann
- 6 = M12 AC
- A = NO or NC
- A = 90° angle
- S = Straight
- 2 = 2 meters
- 5 = 5 meters
- 10 = 10 meters (min. 300 pcs.)

Type Selection - AC Types

Plug type	Cable length	Ordering number	
		Straight	Angled
M12	2 m	CONH6A-S2	CONH6A-A2
M12	5 m	CONH6A-S5	CONH6A-A5

General Accessories

Connector Cables

Type CONM



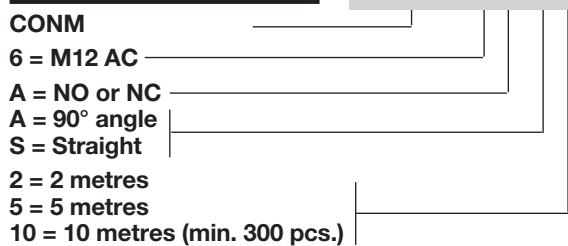
- Straight or 90° connector
- M12 versions
- PVC cable
- AC
- UL, CSA
- IP 67

Product Description

Waterproof connectors for sensors and controls. For AC supplied systems. 3-types. Moulded cable sets available for 2 & 5 metre long cable. PVC cable available.

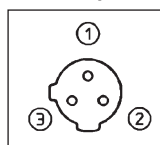
Ordering Key

CONM6A-S2



Pin View of Sensor Connectors

NO/NC (3-wire)



- 1 GND, green
- 2 AC, red/black
- 3 AC, red/white

Type Selection - AC Types

Plug type	Cable length	Ordering number	
		Straight	Angled
M12	2 m	CONM6A-S2	CONM6A-A2
	5 m	CONM6A-S5	CONM6A-A5

General Accessories

Connector Plug Terminals

Type CONM1...

CARLO GAVAZZI



- Straight or 90° connectors
- M12 version
- 4 wire
- DC version
- IP 67
- Good resistance against chemicals
- UL approved

Product Description

Connector with self-application screw terminals. PG 7 cable gland for cables between 4 to 6 mm.

Good chemical and oil resistance. When using aggressive mediums, material resistance based on application must be checked.

Type Selection

Plug type	Ordering number
4-Wire Angled	CONM14NF-A
4-Wire Straight	CONM14NF-S

Ordering Key

CONM14NF-A/S

CONM = Murr	
1 = M12 DC	
4 = 4 wire (BN, BU, BK, WH)	
N= Not shielded	
F= Female	
M= Male	
A = Angled	
S = Straight	

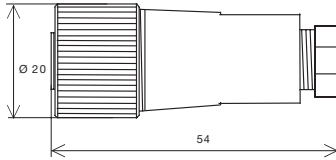
Specifications

Rated operating voltage (U _B)	250 V AC/DC
Output current	≤ 4 A
Contact resistance	≤ 6 mΩ
Contact material	CuZn
Coating	0.2 μNi + 0.5 μAu
Pin diameter	1.02 mm
Contact bearer material	PA black
Pin and key code position	IEC 61076-2-101
Temperature	-40° to +85°C
Degree of protection	IP 67
O-ring sealing	NBR

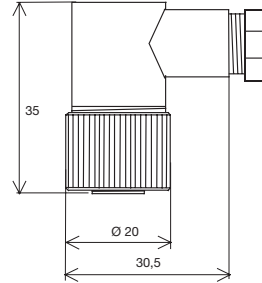
Insulation test	2.5 kV
Moulded body material	PBTP black
For cable diameter	4,0 mm to 6,0 mm
Connection wires	max. 0.75 mm ²
Union nut	CuZn (brass)
Coating	Nickel plated
Torque	0.6 Nm
Weight	approx 25 g
Polution degree	3
Overvoltage category	III
Insulation group	III

Dimensions

CONM14NF-S



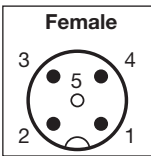
CONM14NF-A



Contact layout

CONM14NF-A
CONM14NF-S

(4-wire)



Connectivity

Brackets angled



Steel, galvanized	AMB8-A	AMB12-A	AMB18-A	AMB30-A
Stainless steel AISI316L	-	AMB12-A316L	AMB18-A316L	-
Used for	M8 sensors	M12 sensors	M18 sensors	M30 sensors
Description	Mounting bracket	Mounting bracket	Mounting bracket	Mounting bracket

Brackets straight



Steel, galvanized	AMB8-S	AMB12-S	AMB18-S	AMB30-S
Stainless steel AISI316L	-	AMB12-S316L	AMB18-S316L	-
Used for	M8 sensors	M12 sensors	M18 sensors	M30 sensors
Description	Mounting bracket	Mounting bracket	Mounting bracket	Mounting bracket

General accessories



Dimensions (mm)	-	65 x 27 x 130
Used for	Cylindrical 4 - 30 mm sensor	Testing sensor
Item number	AMB4-30	ST-03
Description	Universal sensor mounting bracket	Sensor tester for: NAMUR and 2-, 3- or 4-wire DC NPN/PNP and NO/NC with LED and Buzzer

По вопросам продаж и поддержки обращайтесь:

Алматы (7273)495-231	Казань (843)206-01-48	Новокузнецк (3843)20-46-81	Смоленск (4812)29-41-54
Архангельск (8182)63-90-72	Калининград (4012)72-03-81	Новосибирск (383)227-86-73	Сочи (862)225-72-31
Астрахань (8512)99-46-04	Калуга (4842)92-23-67	Омск (3812)21-46-40	Ставрополь (8652)20-65-13
Барнаул (3852)73-04-60	Кемерово (3842)65-04-62	Орел (4862)44-53-42	Сургут (3462)77-98-35
Белгород (4722)40-23-64	Киров (8332)68-02-04	Оренбург (3532)37-68-04	Тверь (4822)63-31-35
Брянск (4832)59-03-52	Краснодар (861)203-40-90	Пенза (8412)22-31-16	Томск (3822)98-41-53
Владивосток (423)249-28-31	Красноярск (391)204-63-61	Пермь (342)205-81-47	Тула (4872)74-02-29
Волгоград (844)278-03-48	Курск (4712)77-13-04	Ростов-на-Дону (863)308-18-15	Тюмень (3452)66-21-18
Вологда (8172)26-41-59	Липецк (4742)52-20-81	Рязань (4912)46-61-64	Ульяновск (8422)24-23-59
Воронеж (473)204-51-73	Магнитогорск (3519)55-03-13	Самара (846)206-03-16	Уфа (347)229-48-12
Екатеринбург (343)384-55-89	Москва (495)268-04-70	Санкт-Петербург (812)309-46-40	Хабаровск (4212)92-98-04
Иваново (4932)77-34-06	Мурманск (8152)59-64-93	Саратов (845)249-38-78	Челябинск (351)202-03-61
Ижевск (3412)26-03-58	Набережные Челны (8552)20-53-41	Севастополь (8692)22-31-93	Череповец (8202)49-02-64
Иркутск (395)279-98-46	Нижний Новгород (831)429-08-12	Симферополь (3652)67-13-56	Ярославль (4852)69-52-93
Россия (495)268-04-70	Киргизия (996)312-96-26-47	Казахстан (7172)727-132	

cgo@nt-rt.ru || <https://gavazzi.nt-rt.ru/>