

# СТА, СТВ, СТВ

## Технические характеристики

### По вопросам продаж и поддержки обращайтесь:

Алматы (7273)495-231  
Архангельск (8182)63-90-72  
Астрахань (8512)99-46-04  
Барнаул (3852)73-04-60  
Белгород (4722)40-23-64  
Брянск (4832)59-03-52  
Владивосток (423)249-28-31  
Волгоград (844)278-03-48  
Вологда (8172)26-41-59  
Воронеж (473)204-51-73  
Екатеринбург (343)384-55-89  
Иваново (4932)77-34-06  
Ижевск (3412)26-03-58  
Иркутск (395)279-98-46  
Россия (495)268-04-70

Казань (843)206-01-48  
Калининград (4012)72-03-81  
Калуга (4842)92-23-67  
Кемерово (3842)65-04-62  
Киров (8332)68-02-04  
Краснодар (861)203-40-90  
Красноярск (391)204-63-61  
Курск (4712)77-13-04  
Липецк (4742)52-20-81  
Магнитогорск (3519)55-03-13  
Москва (495)268-04-70  
Мурманск (8152)59-64-93  
Набережные Челны (8552)20-53-41  
Нижний Новгород (831)429-08-12  
Киргизия (996)312-96-26-47

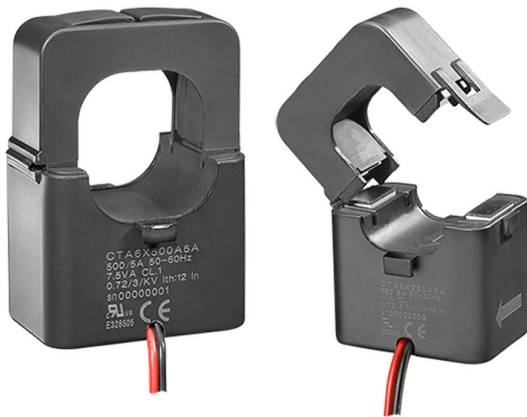
Новокузнецк (3843)20-46-81  
Новосибирск (383)227-86-73  
Омск (3812)21-46-40  
Орел (4862)44-53-42  
Оренбург (3532)37-68-04  
Пенза (8412)22-31-16  
Пермь (342)205-81-47  
Ростов-на-Дону (863)308-18-15  
Рязань (4912)46-61-64  
Самара (846)206-03-16  
Санкт-Петербург (812)309-46-40  
Саратов (845)249-38-78  
Севастополь (8692)22-31-93  
Симферополь (3652)67-13-56  
Казахстан (7172)727-132

Смоленск (4812)29-41-54  
Сочи (862)225-72-31  
Ставрополь (8652)20-65-13  
Сургут (3462)77-98-35  
Тверь (4822)63-31-35  
Томск (3822)98-41-53  
Тула (4872)74-02-29  
Тюмень (3452)66-21-18  
Ульяновск (8422)24-23-59  
Уфа (347)229-48-12  
Хабаровск (4212)92-98-04  
Челябинск (351)202-03-61  
Череповец (8202)49-02-64  
Ярославль (4852)69-52-93

# CTA



## Split core current transformer



### Benefits

- **Adaptability and flexibility.** Effective for a wide range of currents, it can be installed in existent applications.
- **Fast installation.** The opening/closing mechanism makes installation fast even in existent applications. The analyzer only requires two cables to be connected per sensor.

### Description

Split core current transformer with compact dimensions, suitable for retrofit applications when used in combination with any energy meter with 5 A currents inputs.  
It manages primary current from 100 A to 600 A (depends on the model).

### Applications

CTA is the ideal solution for quick and easy installation without disconnecting cables during installation. It is indicated for any application (residential, commercial and industrial), especially for retrofitting where installing a solid core current transformer is not possible.

### Main features

- 5 A secondary current
- 24 mm hole diameter for primary current up to 300 A
- 36 mm hole diameter for primary current up to 600 A

## Features

### General

<b>Material</b>	PA66
<b>Protection degree</b>	IP20
<b>Secondary output</b>	UL R/C cable, 16AWG (1,3mm <sup>2</sup> ) Length: see Electrical specifications
<b>Mounting</b>	Cable
<b>Weight (g)</b>	CTA 5X: 165 CTA 6X: 275
<b>Cable diameter</b>	CTA 5X: 24 mm CTA 6X: 36 mm

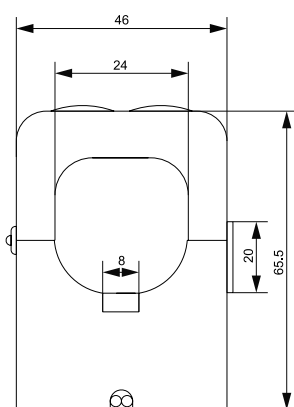


Fig. 1 CTA 5X

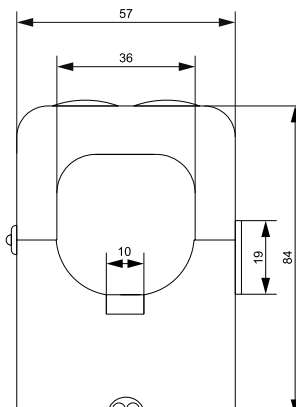
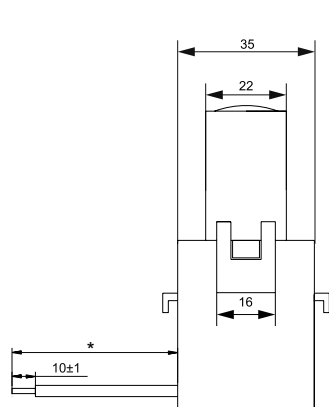
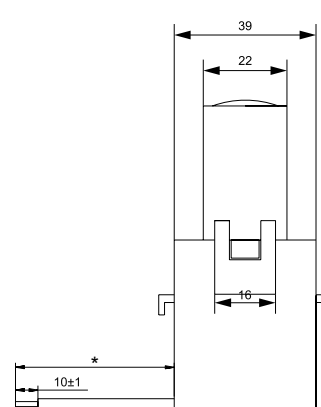


Fig. 2 CTA6X



Note: see Electrical specifications

### Environmental specifications

<b>Operating temperature</b>	-20° to +65°C (-4 to 149 F°) CTA6X 600A: -20° to +50°C (-4 to 122 F°)
<b>Storage temperature</b>	-25° to +80°C (-13 to 176 F°)

UL note: insulation class: A (105), 55 °C rise type at 30°C ambient

### Conformity

<b>Approvals</b>	CE cRU <sup>®</sup> US
<b>Standards</b>	EN 61869-2

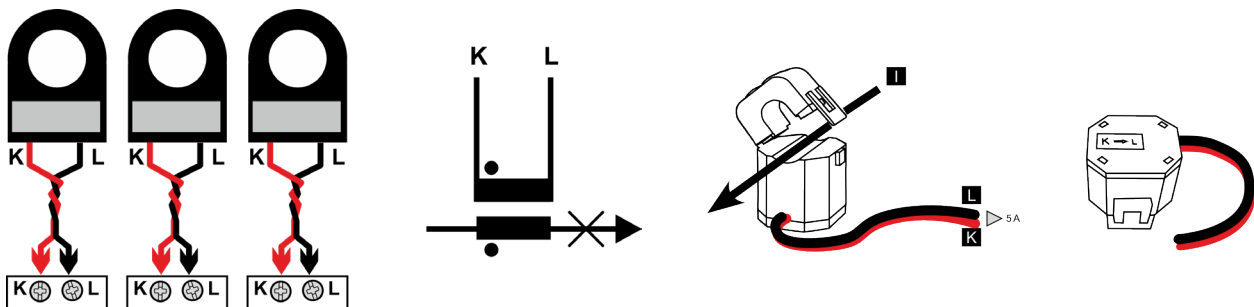
**Electrical specifications**

Rated secondary current	5 A
Frequency	50/60 Hz
Rated system voltage	600 V ac
Rated insulation level	0.72 kV ac, dielectric strength 3 kV ac for 1min
Insulation class	Thermal class B (IEC 60085)
Short time current rating I <sub>th</sub> I <sub>dyn</sub>	12 x I <sub>n</sub> 2,5 x I <sub>th</sub>

Model	Primary current	Accuracy (EN61869-2)	Cable length	Burden*
CTA 5X	100 A	Class 3	0.5 m	1 VA
	150 A	Class 3	0.5 m	1 VA
	200 A	Class 3	2 m	1 VA
	250 A	Class 1	1 m	1 VA
	300 A	Class 1	0.5 m	2.5 VA
CTA 6X	200 A	Class 3	1 m	1 VA
	300 A	Class 1	1 m	2.5 VA
	400 A	Class 1	1 m	5 VA
	500 A	Class 1	1 m	7.5 VA
	600 A	Class 1	1 m	10 VA

\*Note: cable included

## Connection Diagrams



## References



CTA  5A

Enter the code, replacing the symbol  with the selected option (e.g.: CTA **5X 100A** 5A).

Code	Options	Description
C	-	
T	-	
A	-	
<input type="checkbox"/>	5X 100 A	Model and primary current
	5X 150 A	
	5X 200 A	
	5X 250 A	
	5X 300 A	
	6X 200 A	
	6X 300 A	
	6X 400 A	
	6X 500 A	
6X 600 A		
5 A	-	Secondary current



### Further reading

Information	Document	Where to find it
Instruction manual	Instruction manual : CTA_X	



### CARLO GAVAZZI compatible components

Purpose	Component name/code key	NOTES
Measure and display consumption of connected circuits	EM24, EM210, EM330, ET330, WM15, WM20, WM30, WM40, WM50	-

# Accessories

## AC Current Transformer (max 23mm Ø cable)

### Type CTD-1X

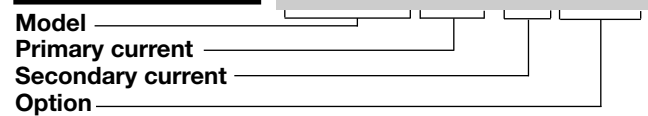


- Cable and bus-bar type current transformer
- 0.5 class, currents from 50 to 300 A
- Removable DIN-rail mounting holder
- Removable panel fixing clips
- 2 cable/bus-bar isolated fixing screws
- Double screw terminals (up to 8-wire connections)
- Sealable terminal block covers

### Product Description

Cable/Bus-bar type current transformer with DIN-rail/bus-bar and panel mounting facility. Rated primary currents from 50 A to 300 A.

### Ordering Key **CTD-1X 100 5A XXX**



### Type Selection

Primary current	Secondary current	Option
From 50 to 300A (Refer to Range Table)	1A 5A	XXX: none XTX: tropicalization

### Input Specifications

Operating frequency	48 to 62 Hz
Max. system voltage	0.72 kV
Rated insulation level	3 kV/1 min. @ 50 Hz
Insulation class	E (max 75°C)
Short-time current rating	Typical 100 I <sub>n</sub> / 1 s 2.5 I <sub>th</sub> The short-time thermal current I <sub>th</sub> is anyway limited by the cable/bus-bar size
Extended current rating	120%
Security factor (FS)	≤ 5 (Class: 0.5, 1 and 3)

Special features	Two panel mounting fixing clips. 1 A secondary current, Tropicalization
Working temperature	-25°C to +60°C (-13°F to 140°F) (R.H. < 90% non condensing @ 40°C)
Storage temperature	-30°C to +70°C (-22°F to 158°F) (R.H. < 90% non condensing @ 40°C)
Approvals	CE, cUrus and CSA
Connection	Screw type Cable cross section area
Protection degree	IP00 IP20 (with sealable terminal block covers + wire terminals)
Cable diameter	Max. 23 mm
Bus-bar size	Max. 20x5 mm
Weight	From 150 to 200 g

### General Specifications

Standards	According to EN61869-2
Housing	ABS, self-extinguishing: UL 94 V-0
Mounting	DIN-rail bus-bar and panel mounting
Standard accessories	Two terminal block screws. Two sealable terminal block covers. Two panel mounting fixing clips. One DIN rail adapter.
Optional accessories	Extended fixing kit CTD-kit: Six cable/bus-bar fixing screws. Six plastic caps for cable/bus-bar fixing screws.

### Output Specifications

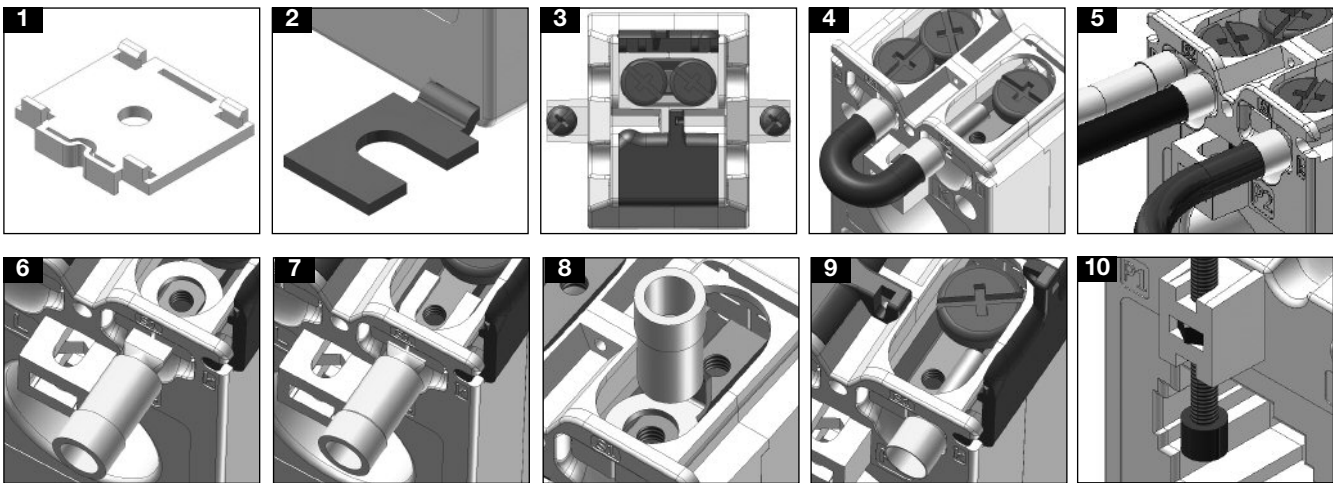
Rated secondary current	5 A or 1 A
-------------------------	------------

## Range Table

Model CTD-1X from 50A to 100A			
Primary Current	Burden (VA)		
	CL 0.5	CL 1	CL 3
50 (@60°C/140°F)		1	1.25
60 (@60°C/140°F)		1	1.25
70 (@60°C/140°F)		1.5	1.75
75 (@60°C/140°F)	1	1.25	1.75
80 (@60°C/140°F)	1.25	1.5	2
100 (@60°C/140°F)	1.5	1.75	2.25

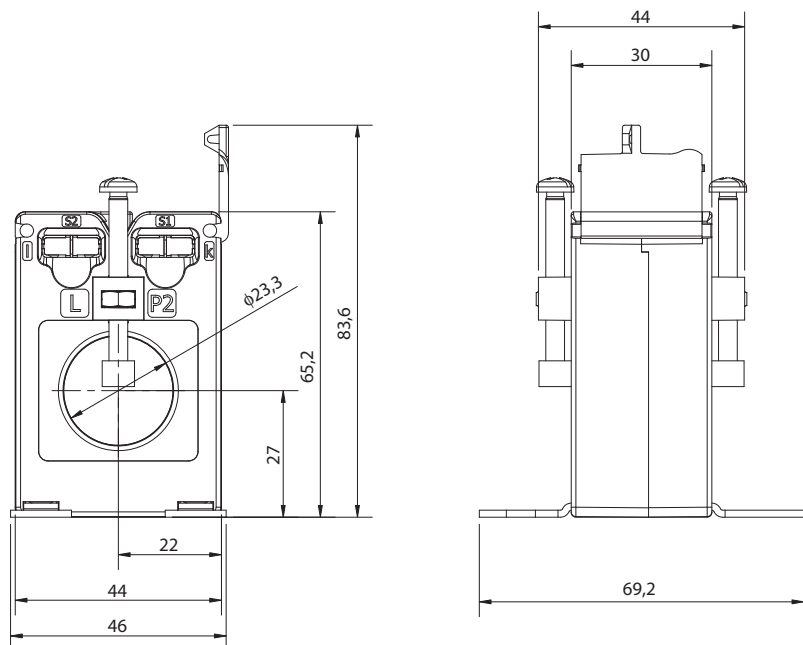
Model CTD-1X from 120A to 300A			
Primary Current	Burden (VA)		
	CL 0.5	CL 1	CL 3
120 (@60°C/140°F)	1.75	2	2.5
125 (@60°C/140°F)	2	2.25	2.75
150 (@60°C/140°F)	2.25	2.5	3
160 (@60°C/140°F)	2.5	2.75	3.25
200 (@60°C/140°F)	3	3.25	3.75
250 (@50°C/122°F)	4.5	4.75	5.25
300 (@50°C/122°F)	5	5.5	6

## Benefits

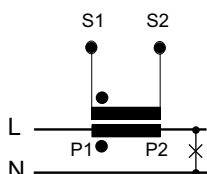


- Easy and quick mounting either on a panel or on a DIN-rail (see figure 1-2).
- Protection of screw terminals using specific sealable covers to assure always the best safety (see figure 3).
- Bridging of current transformer output without changing the connection of the secondary, so to avoid any output overvoltage during either the maintenance or the installation procedure (see figure 4).
- Easy output and earth connection (see fig. 5).
- Screw terminals compatible with any kind of wire terminals (see figure 6-7-8-9).
- Multiple screws provided with insulation caps to grant a strong and reliable fixing of the current transformer to the bus-bar (see figure 10).

## Dimensions (mm)



## Wiring Diagram

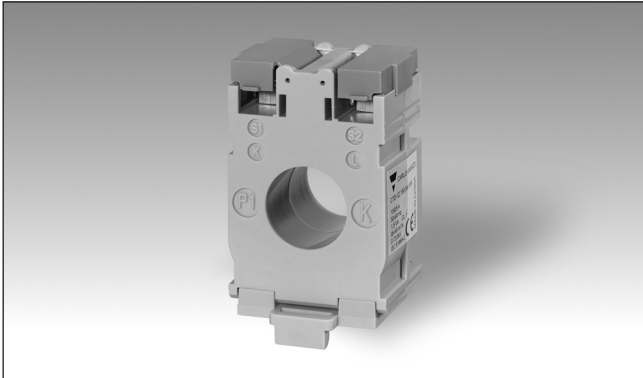


# Accessories

## AC Current Transformer

### Type CTD-1Z

CARLO GAVAZZI



- Cable type current transformer
- Class 1, currents from 50 to 200 A
- Removable DIN-rail mounting holder

## Product Description

Cable type current transformer with DIN-rail mounting facility. Rated primary currents from 50 to 200 A.

## Ordering Key

**CTD-1Z 100 5A XXX**

Model \_\_\_\_\_  
 Primary current \_\_\_\_\_  
 Secondary current \_\_\_\_\_  
 Option \_\_\_\_\_

## Type Selection

Primary current	Secondary current	Option
From 50 to 200 A	5A	XXX: none

(Refer to Range Table)

## Input Specification

Operating frequency	50/60Hz
Max. system voltage	0.72 kV
Rated insulation level	3 kV/1 min @ 50 Hz
Insulation class	B
Short-time current rating	60 In/1s
$I_{th}$	

## Output Specification

Rated secondary current	5A
-------------------------	----

## General Specification

Standards	According to EN61869-2	Connection	Screw type (4x8 mm)
Housing material	PC	Cable cross section area	2.5mm <sup>2</sup>
Mounting	DIN rail	Torque	Max screws tightening torque relevant to terminal block screws: 2.6 Nm.
Standard accessories	DIN rail adapter Terminal block covers	Protection degree	IP20
Working temperature	-10°C to 50°C	Cable diameter	Max. 22 mm
Storage temperature	-10°C to 50°C	Weight	Approx. 140 g
Approvals	CE, UKCA		

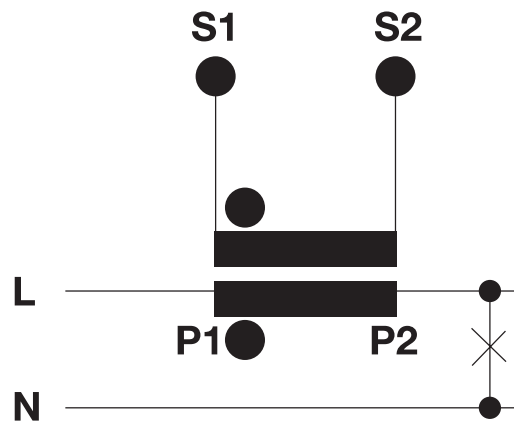


## Range Table

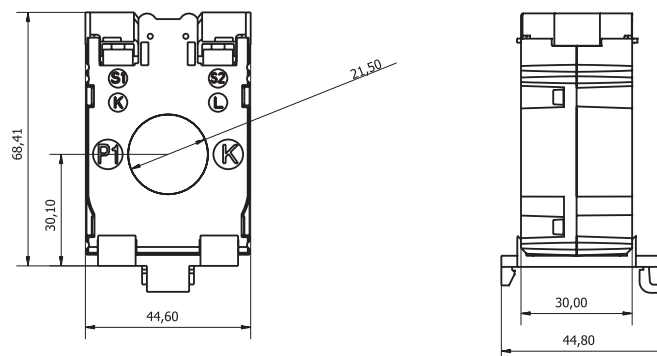
Model CTD-1Z from 50 A to 100 A		
Primary current A	Class	Burden (VA)
50	3	1.5
100	1	1.5

Model CTD-1Z from 125 A to 200 A		
Primary current A	Class	Burden (VA)
125	1	2.5
150	1	2.5
200	1	3.75

## Wiring Diagram



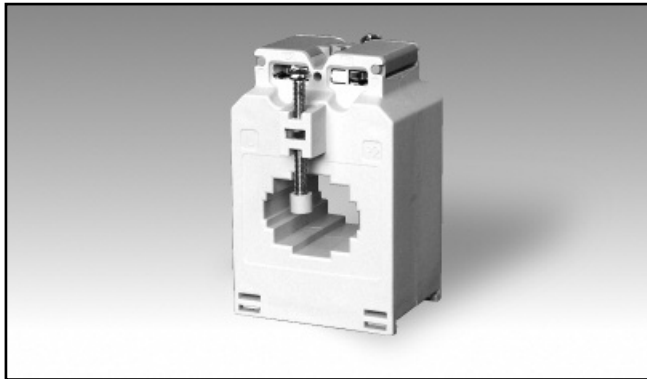
## Dimensions (mm)



# Accessories

## AC Current Transformer (max 30x10 mm bus-bar)

### Type CTD-2X

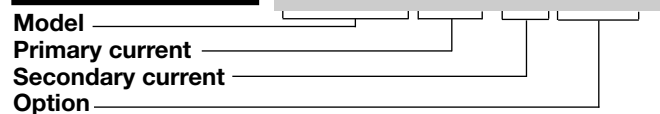


- Bus-bar type current transformer
- 0.5 class, currents from 40 to 600 A
- Integrated DIN-rail mounting holder
- Removable panel fixing clips
- 2 Bus-bar isolated fixing screws
- Double screw terminals (up to 8-wire connections)
- Sealable terminal block covers

### Product Description

Cable/Bus-bar type current transformer with DIN-rail/bus-bar and panel mounting facilities. Rated primary currents from 40 A to 600 A.

### Ordering Key **CTD-2X 200 5A XXX**



### Optional fixing kit: **CTD-kit**

### Type Selection

Primary current	Secondary current	Option
From 40 to 600A (Refer to Range Table)	1A 5A	XXX: none XTX: tropicalization

### Input Specifications

Operating frequency	45 to 65 Hz	
Max. system voltage	0.72 kV	
Rated insulation level	3 kV/1 min. @ 50 Hz	
Insulation class	E (max 75°C)	
Short-time current rating $I_{th}$ $I_{dyn}$	Typical 100 $I_n$ / 1 s 2.5 $I_{th}$ The short-time thermal current $I_{th}$ is anyway limited by the cable/ bus-bar size	Six plastic caps for cable/bus-bar fixing screws.
Extended current rating	120%	<b>Special features</b>
Security factor (FS)	≤ 5 (Class: 0.5, 1 and 3)	1 A secondary current, Tropicalization
		<b>Working temperature</b>
		-25°C to +60°C (-13°F to 140°F) (R.H. < 90% non condensing @ 40°C)
		<b>Storage temperature</b>
		-30°C to +70°C (-22°F to 158°F) (R.H. < 90% non condensing @ 40°C)
		<b>Approvals</b>
		CE, cUrus and CSA
		<b>Connection</b>
		Screw type Cable cross section area
		From 1.5 to 6 mm <sup>2</sup> Min/Max screws tightening torque relevant to terminal block screws: From 1 to 2 Nm Max screws tightening torque relevant to the cable/bus-bar fixing screws: 0,3 Nm
		<b>Protection degree</b>
		IP00 IP20 (with sealable terminal block covers + wire terminals)
		<b>Cable diameter</b>
		Max. 24 mm
		<b>Bus-bar size</b>
		Horizontal
		Max. 32x5; 30x10; 25x20 mm
		Vertical
		Max. 25x12 mm
		<b>Weight</b>
		From 350 to 500 g

### General Specifications

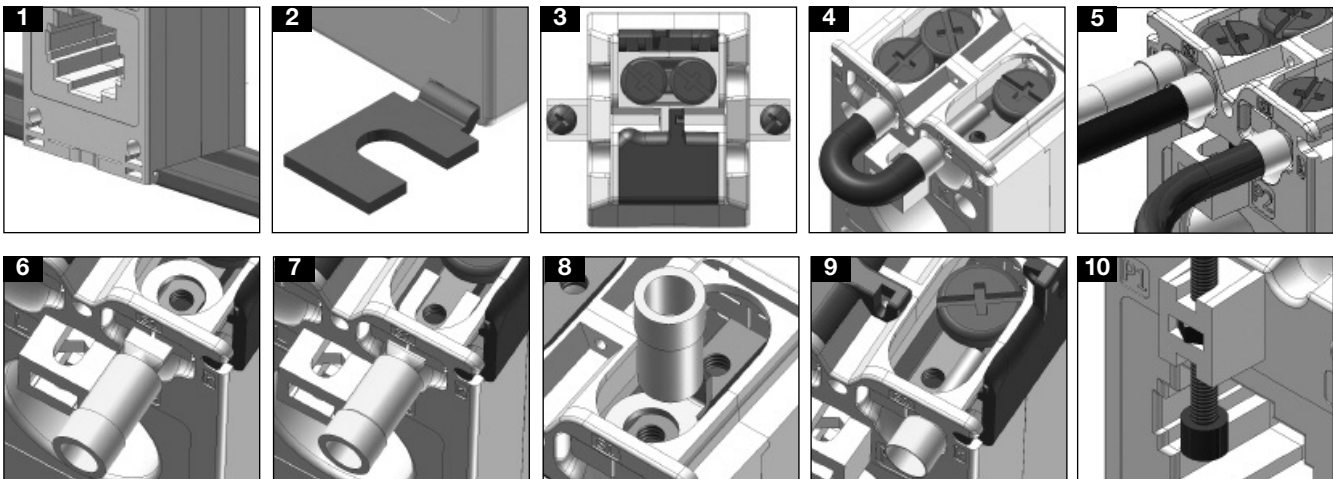
Standards	According to EN61869-2
Housing	ABS, self-extinguishing: UL 94 V-0
Mounting	DIN-rail bus-bar and panel mounting
Standard accessories	Two terminal block screws. Two cable/bus-bar fixing screws. Two sealable terminal block covers. Two panel mounting fixing clips. Two plastic caps for cable/bus-bar fixing screws.
Optional accessories	Extended fixing kit: CTD-kit Two panel mounting fixing clips. Six cable/bus-bar fixing screws.
<b>Output Specifications</b>	
Rated secondary current	5 A or 1 A

## Range Table

Model CTD-2X from 40A to 125A			
Primary Current	Burden (VA)		
	CL 0.5	CL 1	CL 3
40 (@60°C/140°F)			1.25
50 (@60°C/140°F)			1.5
60 (@60°C/140°F)			2
70 (@60°C/140°F)			2.5
75 (@60°C/140°F)		1.75	2.5
80 (@60°C/140°F)		2	2.75
100 (@60°C/140°F)		2.5	3
120 (@60°C/140°F)		2.75	3.75
125 (@60°C/140°F)	2	2.75	3.75

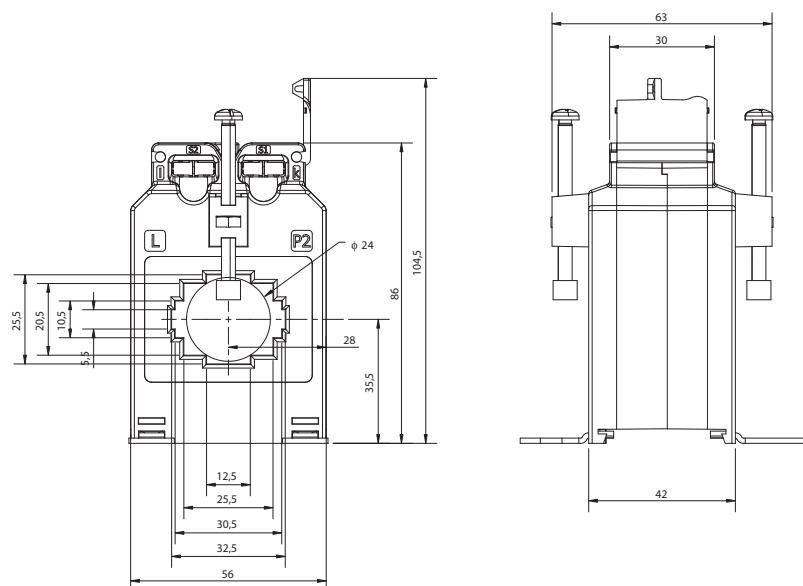
Model CTD-2X from 150A to 600A			
Primary Current	Burden (VA)		
	CL 0.5	CL 1	CL 3
150 (@60°C/140°F)	3	4	5
160 (@60°C/140°F)	3	4	5
200 (@60°C/140°F)	4	5	6.5
250 (@60°C/140°F)	5.5	7	8
300 (@60°C/140°F)	7	8.5	9.5
400 (@50°C/122°F)	12	13.5	14.5
500 (@50°C/122°F)	14	15.5	16.5
600 (@40°C/104°F)	17.5	19	20

## Benefits

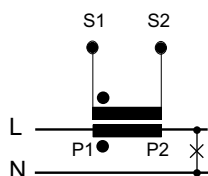


- Easy and quick mounting either on a panel or on a DIN-rail (see figure 1-2).
- Protection of screw terminals using specific sealable covers to assure always the best safety (see figure 3).
- Bridging of current transformer output without changing the connection of the secondary, so to avoid any output overvoltage during either the maintenance or the installation procedure (see figure 4).
- Easy output and earth connection (see fig. 5).
- Screw terminals compatible with any kind of wire terminals (see figure 6-7-8-9).
- Multiple screws provided with isolation cap screws to grant a strong and reliable fixing of the current transformer to the bus-bar (see figure 10).

## Dimensions (mm)



## Wiring Diagram

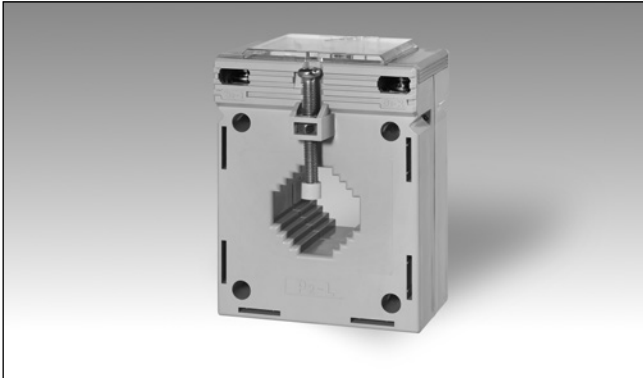


# Accessories

## AC Current Transformer

### Type CTD-2Z

CARLO GAVAZZI



- Cable and bus-bar type current transformer
- Class 0.5, currents from 40 to 600 A
- Removable panel fixing clips
- 2 cable/bus-bar isolated fixing screws

## Product Description

Cable and bus-bar type current transformer with cable/bus-bar and panel mounting facility. Rated primary currents from 40 to 600 A.

## Ordering Key

**CTD-2Z 200 5A XXX**

Model \_\_\_\_\_  
 Primary current \_\_\_\_\_  
 Secondary current \_\_\_\_\_  
 Option \_\_\_\_\_

## Type Selection

Primary current	Secondary current	Option
From 40 to 600 A	5A	XXX: none

(Refer to Range Table)

## Input Specification

Operating frequency	50/60Hz
Max. system voltage	0.72 kV
Rated insulation level	3 kV/1 min @ 50 Hz
Insulation class	B
Short-time current rating	
$I_{th}$	60 In/1s

## Output Specification

Rated secondary current	5A
-------------------------	----

## General Specification

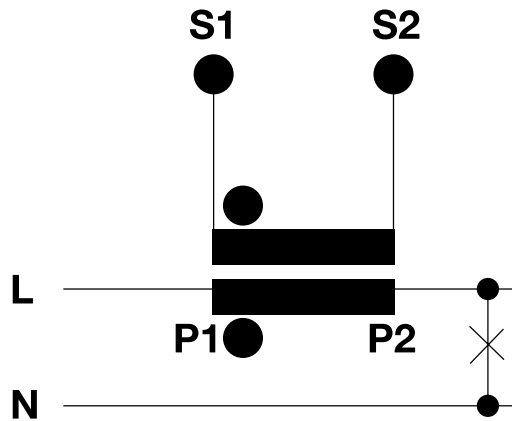
Standards	According to EN61869-2	Approvals	CE
Housing material	ABS	Connection	Screw type (4x10 mm fork lugs required)
Mounting	Cable/bus-bar and panel mounting	Cable cross section area	2.5mm <sup>2</sup>
Standard accessories	Two cable/bus-bar fixing screws. Two plastic caps for cable/bus-bar fixing screws. Four panel mounting fixing clips. Terminal block covers.	Torque	Max screws tightening torque relevant to terminal block screws: 2.6 Nm.
Working temperature	-10°C~50°C	Protection degree	IP 20
Storage temperature	-10°C~50°C	Cable diameter	Max. 28 mm
		Bus-Bar size	Max. 30x10; 25x15; 20x20
		Weight	Approx. 580 g

## Range Table

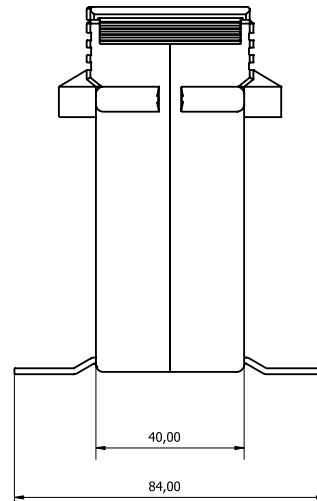
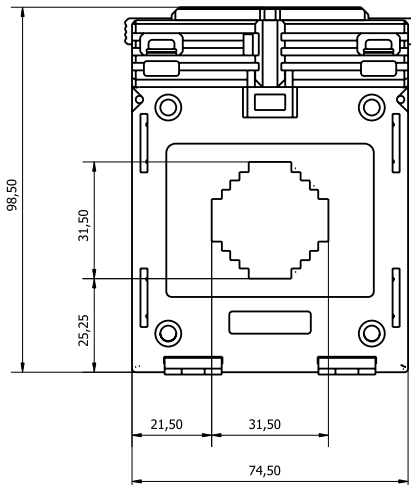
Model CTD-2Z from 40 A to 200 A		
Primary current A	Class	Burden (VA)
40	3	2.5
50	3	2.5
100	0.5	2.5
150	0.5	2.5
200	0.5	3.75

Model CTD-2Z from 250 A to 600 A		
Primary current A	Class	Burden (VA)
250	0.5	5
300	0.5	5
400	0.5	5
500	0.5	5
600	0.5	5

## Wiring Diagram



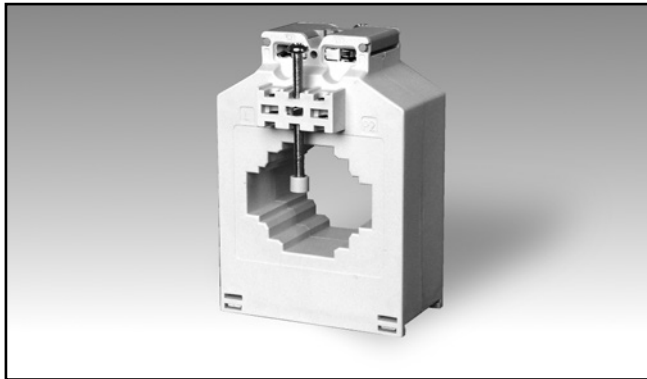
## Dimensions (mm)



# Accessories

## AC Current Transformer (max 51x15 mm bus-bar)

### Type CTD-3X

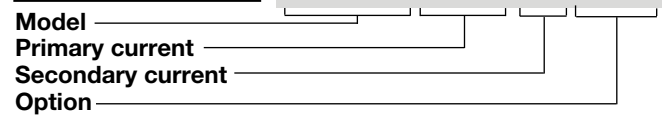


- Bus-bar type current transformer
- 0.5 class, currents from 50 to 800 A
- Integrated DIN-rail mounting holder
- Removable panel fixing clips
- Up to 6 Bus-bar isolated fixing screws
- Double screw terminals (up to 8-wire connections)
- Sealable terminal block covers

### Product Description

Cable/Bus-bar type current transformer with DIN-rail/bus-bar and panel mounting facility. Rated primary currents from 50 A to 800 A.

### Ordering Key **CTD-3X 800 5A XXX**



### Type Selection

Primary current	Secondary current	Option
From 50 to 800A (Refer to Range Table)	1A 5A	XXX: none XTX: tropicalization

### Optional fixing kit: **CTD-kit**

### Input Specifications

Operating frequency	45 to 65 Hz
Max. system voltage	0.72 kV
Rated insulation level	3 kV/1 min. @ 50 Hz
Insulation class	E (max 75°C)
Short-time current rating $I_{th}$ $I_{dyn}$	Typical 100 $I_n$ /1 s 2.5 $I_{th}$ The short-time thermal current $I_{th}$ is anyway limited by the cable/bus-bar size
Extended current rating	120%
Security factor (FS)	≤ 5 (Class: 0.5, 1 and 3)

Special features	Six plastic caps for cable/bus-bar fixing screws. 1 A secondary current, Tropicalization
Working temperature	-25°C to +60°C (-13°F to 140°F) (R.H. < 90% non condensing @ 40°C)
Storage temperature	-30°C to +70°C (-22°F to 158°F) (R.H. < 90% non condensing @ 40°C)
Approvals	CE, cUrus and CSA
Connection Cable cross section area	Screw type From 1.5 to 6 mm <sup>2</sup> Min/Max screws tightening torque relevant to terminal block screws: From 1 to 2 Nm Max screws tightening torque relevant to the cable/bus-bar fixing screws: 0,3 Nm
Protection degree	IP00 IP20 (with sealable terminal block covers + wire terminals)
Cable diameter	Max. 41 mm
Bus-bar size Horizontal Vertical	Max. 51x15; 40x20: 32x32 mm Max. 40x20 mm
Weight	From 550 to 700 g

### General Specifications

Standards	According to EN61869-2
Housing	ABS, self-extinguishing: UL 94 V-0
Mounting	DIN-rail bus-bar and panel mounting
Standard accessories	Two terminal block screws. Two cable/bus-bar fixing screws. Two plastic caps for cable/bus-bar fixing screws. Two panel mounting fixing clips. Two sealable terminal block covers.
Optional accessories	Extended fixing kit: CTD-kit Two panel mounting fixing clips. Six cable/bus-bar fixing screws.

### Output Specifications

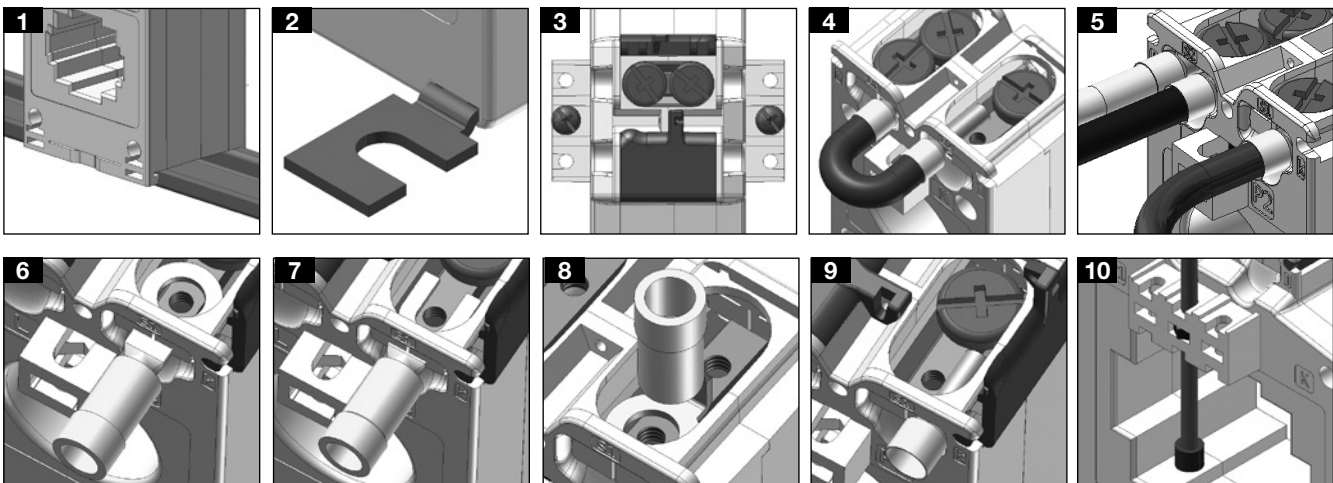
Rated secondary current	5 A or 1 A
-------------------------	------------

## Range Table

Model CTD-3X from 50A to 200A				
Primary Current	Burden (VA)			
	A	CL 0.5	CL 1	CL 3
50 (@60°C/140°F)				1.75
60 (@60°C/140°F)				2
70 (@60°C/140°F)				2.5
75 (@60°C/140°F)				3
80 (@60°C/140°F)				3
100 (@60°C/140°F)			2	3.5
120 (@60°C/140°F)			2.25	4
125 (@60°C/140°F)			2.5	4.5
150 (@60°C/140°F)	2.25	3		6
160 (@60°C/140°F)	2.5	3.5		6.5
200 (@60°C/140°F)	3	4.5		8.5

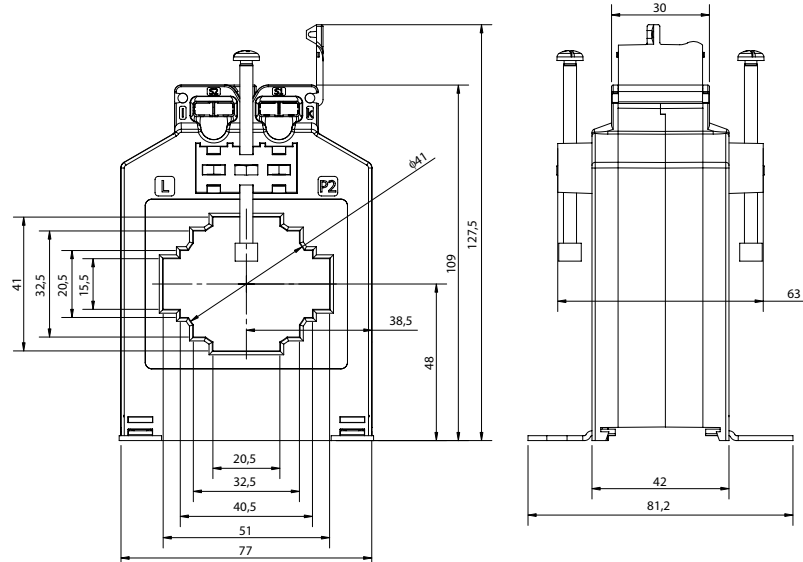
Model CTD-3X from 250A to 800A				
Primary Current	Burden (VA)			
	A	CL 0.5	CL 1	CL 3
250 (@60°C/140°F)	3.5	6.5		10.5
300 (@60°C/140°F)	7	10		13
400 (@60°C/140°F)	9	14		17
500 (@50°C/122°F)	14	18		21
600 (@50°C/122°F)	17	21		24
700 (@40°C/104°F)	22	26		29
750 (@40°C/104°F)	24	28		31
800 (@40°C/104°F)	25	29		32

## Benefits

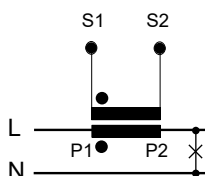


- Easy and quick mounting either on a panel or on a DIN-rail (see figure 1-2).
- Protection of screw terminals using specific sealable covers to assure always the best safety (see figure 3).
- Bridging of current transformer output without changing the connection of the secondary, so to avoid any output overvoltage during either the maintenance or the installation procedure (see figure 4).
- Easy output and earth connection (see fig. 5).
- Screw terminals compatible with any kind of wire terminals (see figure 6-7-8-9).
- Multiple screws provided with isolation cap screws to grant a strong and reliable fixing of the current transformer to the bus-bar (see figure 10).

## Dimensions (mm)



## Wiring Diagram



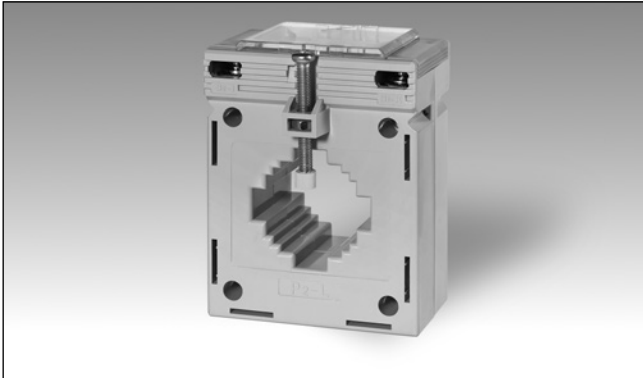


# Accessories

## AC Current Transformer

### Type CTD-3Z

CARLO GAVAZZI



- Cable and bus-bar type current transformer
- Class 0.5, currents from 100 to 600 A
- Removable panel fixing clips
- 2 cable/bus-bar isolated fixing screws

## Product Description

Cable and bus-bar type current transformer with cable/bus-bar and panel mounting facility. Rated primary currents from 100 to 600 A.

## Ordering Key

**CTD-3Z 200 5A XXX**

Model \_\_\_\_\_  
 Primary current \_\_\_\_\_  
 Secondary current \_\_\_\_\_  
 Option \_\_\_\_\_

## Type Selection

Primary current	Secondary current	Option
From 100 to 600 A	5A	XXX: none

(Refer to Range Table)

## Input Specification

Operating frequency	50/60Hz
Max. system voltage	0.72 kV
Rated insulation level	3 kV/1 min @ 50 Hz
Insulation class	B
Short-time current rating	60 In/1s
$I_{th}$	

## Output Specification

Rated secondary current	5A
-------------------------	----

## General Specification

Standards	According to EN61869-2	Approvals	CE
Housing material	ABS	Connection	Screw type (4x10 mm, fork lugs required) 2.5mm <sup>2</sup>
Mounting	Cable/bus-bar and panel mounting	Cable cross section area	Max screws tightening torque relevant to terminal block screws: 2.6 Nm.
Standard accessories	Two cable/bus-bar fixing screws. Two plastic caps for cable/bus-bar fixing screws. Four panel mounting fixing clips. Terminal block covers.	Torque	
Working temperature	-10°C~50°C	Protection degree	IP 20
Storage temperature	-10°C~50°C	Cable diameter	Max. 32 mm
		Bus-Bar size	Max. 40x10; 30x20; 25x25;
		Weight	Approx. 500 g

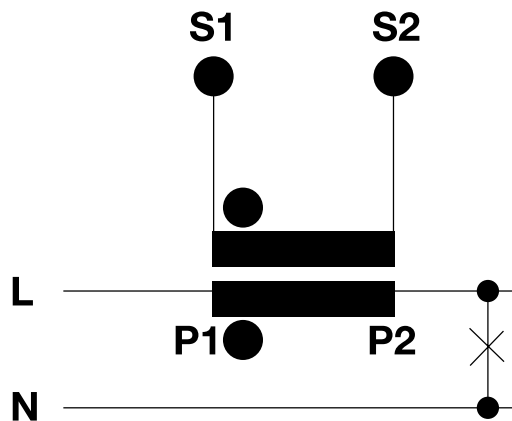


## Range Table

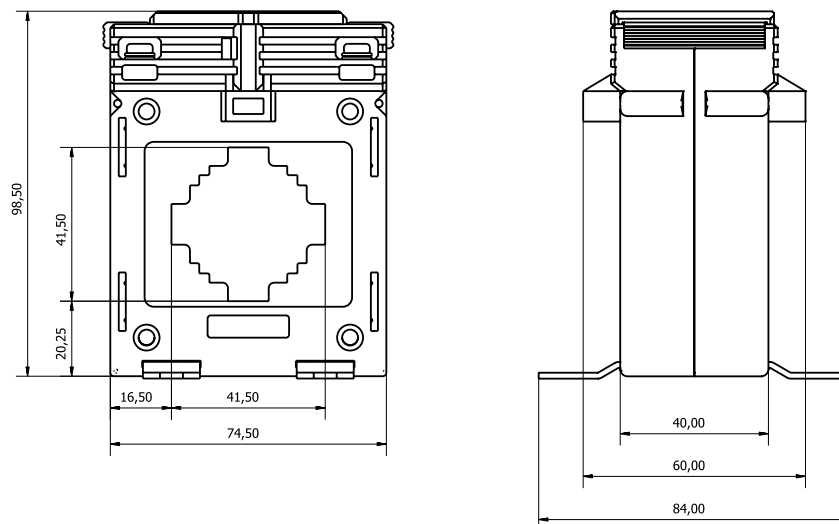
Model CTD-3Z from 100 A to 250 A		
Primary current A	Class	Burden (VA)
100	0.5	1.5
150	0.5	1.5
200	0.5	1.5
250	0.5	2.5

Model CTD-3Z from 300 A to 600 A		
Primary current A	Class	Burden (VA)
300	0.5	2.5
400	0.5	5
500	0.5	5
600	0.5	5

## Wiring Diagram



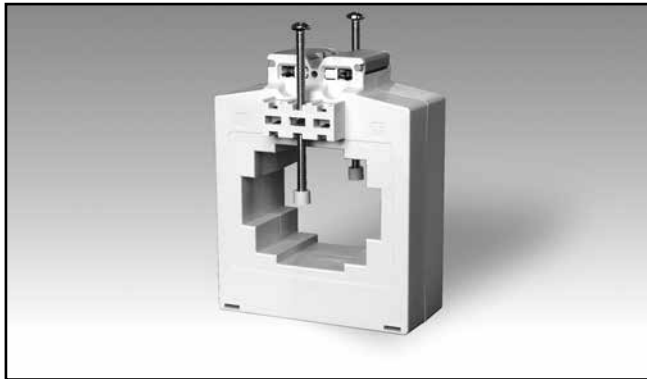
## Dimensions (mm)



# Accessories

## AC Current Transformer (max 64x20 mm bus-bar)

### Type CTD-4X

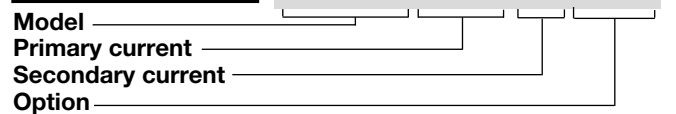


- Bus-bar type current transformer
- 0.5 class, currents from 150 to 1600 A
- Removable panel fixing clips
- Up to 6 Bus-bar isolated fixing screws
- Double screw terminals (up to 8-wire connections)
- Sealable terminal block covers

### Product Description

Cable/Bus-bar type current transformer with DIN-rail/bus-bar and panel mounting facility. Rated primary currents from 150 A to 1600 A.

### Ordering Key **CTD-4X 1250 5A XXX**



### Optional fixing kit: **CTD-kit**

### Type Selection

Primary current	Secondary current	Option
From 150 to 1600A (Refer to Range Table)	1A 5A	XXX: none XTX: tropicalization

### Input Specifications

Operating frequency	45 to 65 Hz
Max. system voltage	0.72 kV
Rated insulation level	3 kV/1 min. @ 50 Hz
Insulation class	E (max 75°C)
Short-time current rating $I_{th}$ $I_{dyn}$	Typical $100 I_n / 1 s$ $2.5 I_{th}$ The short-time thermal current $I_{th}$ is anyway limited by the cable/bus-bar size
Extended current rating	Refer to Range Table
Security factor (FS)	$\leq 5$ (Class: 0.5, 1 and 3)

Special features	Six plastic caps for cable/bus-bar fixing screws 1 A secondary current, Tropicalization
Working temperature Table (-13°F to: refer to Range Table) (R.H. < 90% non condensing @ 40°C)	-25°C to: refer to Range Table
Storage temperature	-30°C to +70°C (-22°F to 158°F) (R.H. < 90% non condensing @ 40°C)
Approvals	CE, cURus and CSA
Connection Cable cross section area  block screws: From 1 to 2 Nm	Screw type From 1.5 to 6 mm <sup>2</sup> Min/Max screws tightening torque relevant to terminal  Max screws tightening torque relevant to the cable/bus-bar fixing screws: 0,3 Nm
Protection degree	IP00 IP20 (with sealable terminal block covers + wire terminals)
Cable diameter	Max. 51 mm
Bus-bar size Horizontal Vertical	Max. 64x20, 51x43 mm Max. 51x31 mm
Weight	From 450 to 700 g

### General Specifications

Standards	According to EN61869-2
Housing	PA66, self-extinguishing: UL 94 V-0
Mounting	Panel mounting
Standard accessories	Two terminal block screws. Two cable/bus-bar fixing screws. Two plastic caps for cable/bus-bar fixing screws. Two panel mounting fixing clips. Two sealable terminal block covers.
Optional accessories	Extended fixing kit: CTD-kit Two panel mounting fixing clips. Six cable/bus-bar fixing screws.

### Output Specifications

Rated secondary current	5 A or 1 A
-------------------------	------------

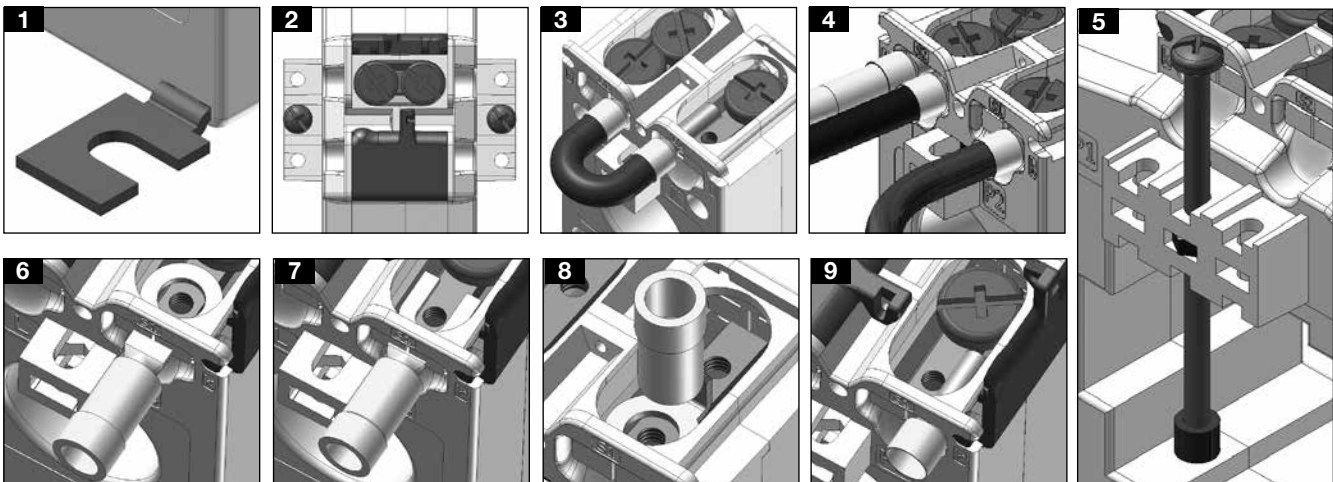
## Range Table

Model CTD-4X from 150A to 700A					
Primary Current	Temperature	Extended current rating	Burden (VA)		
			CL 0.5	CL 1	CL 3
150	@60°C/140°F	120%		2.5	(5)
200	@60°C/140°F	120%		3.25	(6)
250	@60°C/140°F	120%	2.5	4.5	2
300	@60°C/140°F	120%	3	4	3
400	@60°C/140°F	120%	6	9	3
500	@60°C/140°F	120%	10	12.5	4
600	@60°C/140°F	120%	11	13.5	4
700	@60°C/140°F	120%	12.5	15	5

Model CTD-4X from 750A to 1600A				
Primary Current	Temperature	Extended current rating	Burden (VA)	
			CL 0.5	CL 1
750	@50°C/122°F	120%	13	15.5
800	@50°C/122°F	120%	14	16.5
1000	@50°C/122°F	120%	17.5	20
1200	@50°C/122°F	100% (+)	20	22.5
1250	@50°C/122°F	100% (+)	20	22.5
1500	@50°C/122°F	100% (*)	27.5	30
1600	@50°C/122°F	100% (*)	27.5	30

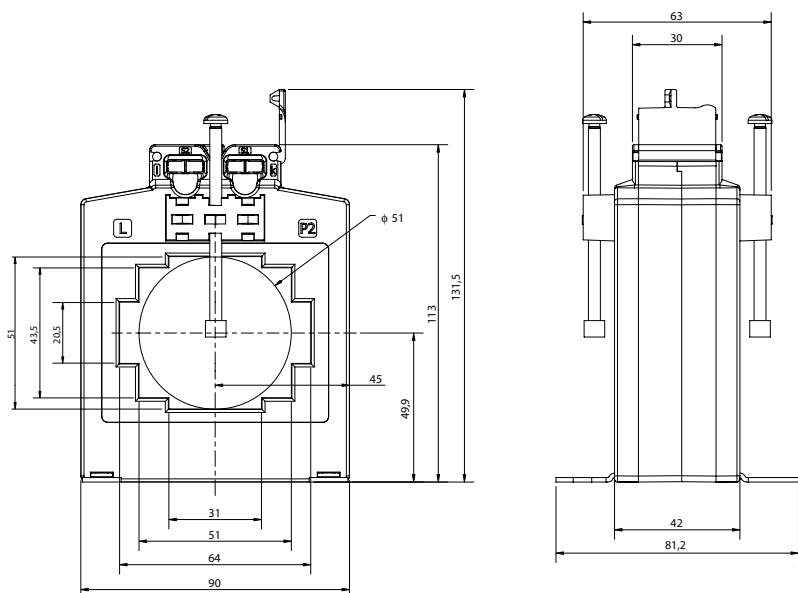
(\*) A max overload of 120% for 1 min. every 30 min. is allowed.  
 (+) A continuous overload of 120% of the range is allowed @ amb. temp. 40°C max.

## Benefits

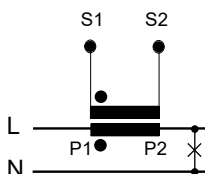


- Easy and quick mounting on a panel (see figure 1).
- Protection of screw terminals using specific sealable covers to assure always the best safety (see figure 3).
- Bridging of current transformer output without changing the connection of the secondary, so to avoid any output overvoltage during either the maintenance or the installation procedure (see figure 4).
- Easy output and earth connection (see fig. 5).
- Screw terminals compatible with any kind of wire terminals (see figure 6-7-8-9).
- Multiple screws provided with isolation cap screws to grant a strong and reliable fixing of the current transformer to the bus-bar (see figure 10).

## Dimensions (mm)



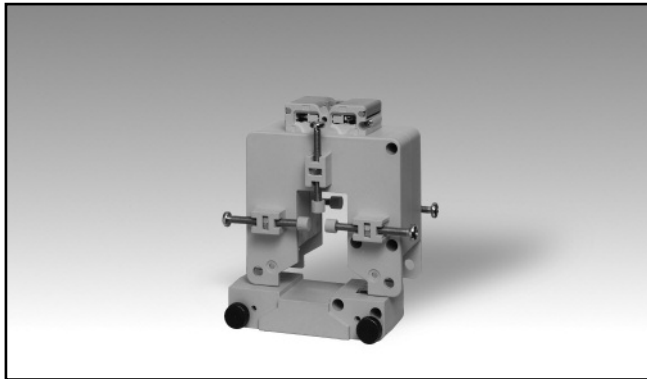
## Wiring Diagram



# Accessories

## AC Split-Core Current Transformer

### Type CTD-5S ( max 26x32 mm)

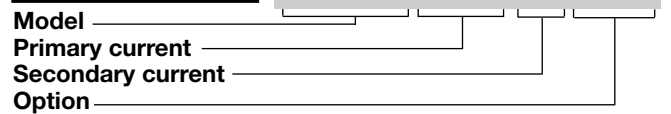


- Bus-bar type split core current transformer
- Class 1 accuracy
- Currents from 100 A to 400 A
- Up to 6 Bus-bar isolated fixing screws
- Double screw terminals (up to 8-wire connections)
- Sealable terminal block covers
- Sealable fixing split-core screws

### Product Description

Split-core current transformer with bus-bar mounting facility. Rated primary currents from 100 A to 400 A.

### Ordering Key **CTD-5S 400 5A XXX**



### Type Selection

Primary current	Secondary current	Option
From 100A to 400A (Refer to the Range Table)	1A (on request) 5A	XXX: none XTX: tropicalization (on request)

### Input Specifications

Operating frequency	48 to 62 Hz
Max. system voltage	0.72 kV
Rated insulation level	3 kV/1 min. @ 50 Hz
Insulation class	E (max 75°C)
Short-time current rating $I_{th}$ $I_{dyn}$	Typical 100 $I_n$ /1 s 2.5 $I_{th}$ The short-time thermal current $I_{th}$ is anyway limited by the cable/bus-bar size
Extended current rating	120%
Security factor (FS)	≤ 5 (Class: 1 and 3)

Working temperature	-25°C to +60°C (-13°F to 140°F) (R.H. < 90% non condensing @ 40°C)
Storage temperature	-30°C to +70°C (-22°F to 158°F) (R.H. < 90% non condensing @ 40°C)
Approvals	CE, cURus and CSA
Connection Cable cross section area	Screw type From 1.5 to 6 mm <sup>2</sup> Min/Max screws tightening torque relevant to terminal block screws: From 1 to 2 Nm Max screws tightening torque relevant to the cable/bus-bar fixing screws: 0,3 Nm
Protection degree	IP00 (without sealable terminal covers) IP20 (with sealable terminal block covers + wire terminals)
Cable diameter	Max. 26 mm
Bus-bar size	Max. 26x32 mm
Weight	From 450 to 700 g

### General Specifications

Standards	According to EN61869-2
Housing	ABS, self-extinguishing: UL 94 V-0
Mounting	Bus-bar mounting
Standard accessories	Two terminal block screws. Six cable/bus-bar fixing screws. Six plastic caps for cable/bus-bar fixing screws. Two sealable terminal block covers.
Special features	1 A secondary current, Tropicalization

### Output Specifications

Rated secondary current	5 A or 1 A
-------------------------	------------

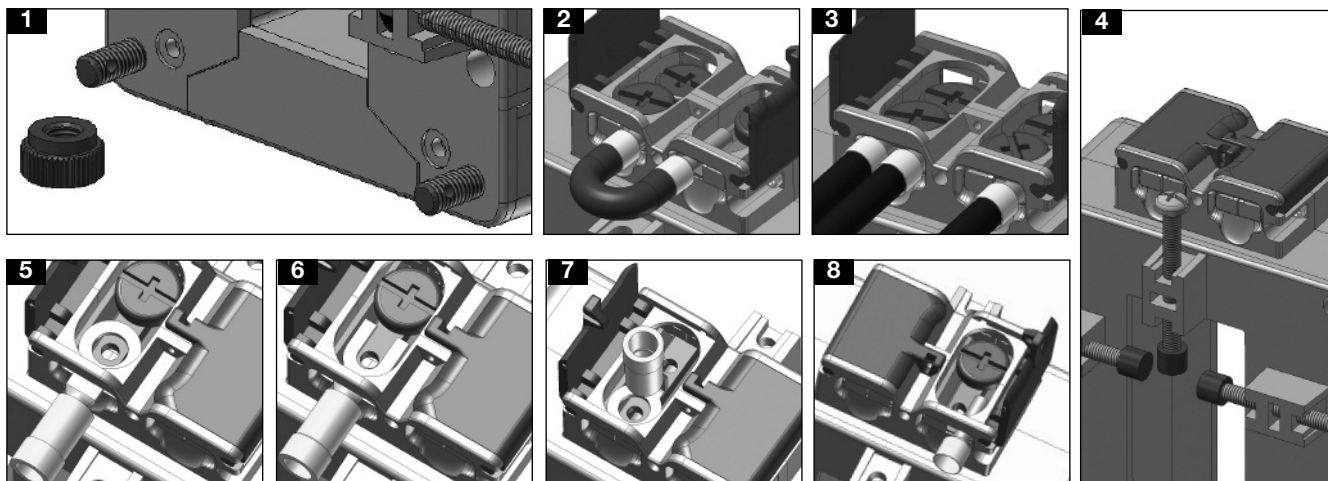
## Range Table

## Wiring Diagram

Model CTD-5S from 100A to 400A		
Primary Current	Burden (VA)	
	CL 1	CL 3
A		
100 (@60°C/140°F)	-	1.5
125 (@60°C/140°F)	1	1.5
150 (@60°C/140°F)	1.5	2.5
200 (@60°C/140°F)	1.5	5
250 (@60°C/140°F)	1.5	5
300 (@50°C/122°F)	2.5	7.5
400 (@50°C/122°F)	5	10

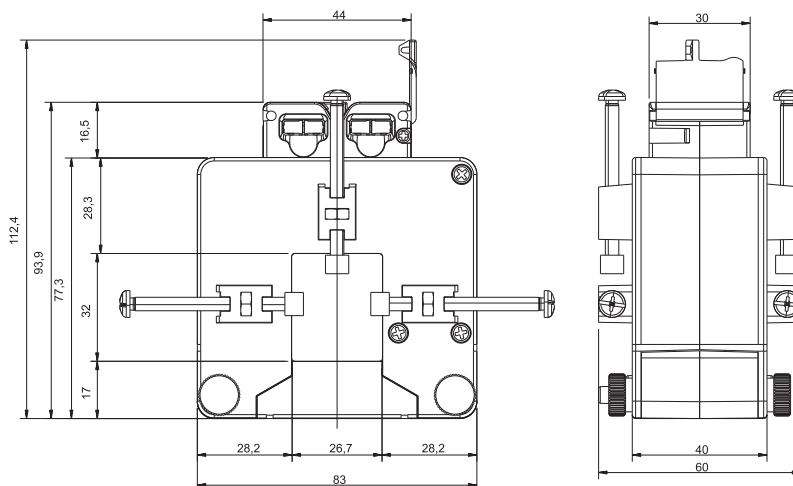


## Benefits



- Easy way to open and close the CT core by the dedicate seleable screws (see figure 1).
- Bridging of current transformer output without changing the connection of the secondary, so to avoid any output overvoltage during either the maintenance or the installation procedure (see figure 2).
- Easy output and earth connection (see fig. 3).
- Multiple screws provided with isolation cap screws to grant a strong and reliable fixing of the current transformer to the bus-bar (see figure 4).
- Screw terminals compatible with any kind of wire terminals and protection of screw terminals using specific sealable covers to assure always the best safety (see figure 5-6-7-8).

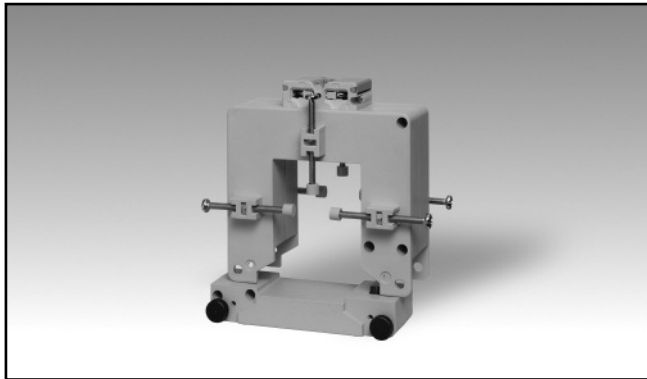
## Dimensions (mm)



# Accessories

## AC Split-Core Current Transformer

### Type CTD-6S ( max 50x52 mm)

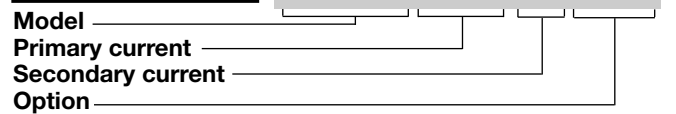


- Bus-bar type split core current transformer
- Class 1 accuracy
- Currents from 150 A to 1000 A
- Up to 6 Bus-bar isolated fixing screws
- Double screw terminals (up to 8-wire connections)
- Sealable terminal block covers
- Sealable fixing split-core screws

### Product Description

Split-core current transformer with bus-bar mounting facility. Rated primary currents from 150 A to 1000 A.

### Ordering Key **CTD-6S 1000 5A XXX**



### Type Selection

Primary current	Secondary current	Option
From 150A to 1000A (Refer to the Range Table)	1A (on request) 5A	XXX: none XTX: tropicalization (on request)

### Input Specifications

Operating frequency	48 to 62 Hz
Max. system voltage	0.72 kV
Rated insulation level	3 kV/1 min. @ 50 Hz
Insulation class	E (max 75°C)
Short-time current rating $I_{th}$ $I_{dyn}$	Typical 100 $I_n$ / 1 s 2.5 $I_{th}$ The short-time thermal current $I_{th}$ is anyway limited by the cable/bus-bar size
Extended current rating	120%
Security factor (FS)	≤ 5 (Class: 1 and 3)

Working temperature	-25°C to +60°C (-13°F to 140°F) (R.H. < 90% non condensing @ 40°C)
Storage temperature	-30°C to +70°C (-22°F to 158°F) (R.H. < 90% non condensing @ 40°C)
Approvals	CE, cURus and CSA
Connection Cable cross section area	Screw type From 1.5 to 6 mm <sup>2</sup> Min/Max screws tightening torque relevant to terminal block screws: From 1 to 2 Nm Max screws tightening torque relevant to the cable/bus-bar fixing screws: 0,3 Nm
Protection degree	IP00 (without sealable terminal covers) IP20 (with sealable terminal block covers + wire terminals)
Cable diameter	Max. 50 mm
Bus-bar size	Max. 50x52 mm
Weight	From 450 to 700 g

### General Specifications

Standards	According to EN61869-2
Housing	ABS, self-extinguishing: UL 94 V-0
Mounting	Bus-bar mounting
Standard accessories	Two terminal block screws. Six cable/bus-bar fixing screws. Six plastic caps for cable/bus-bar fixing screws. Two sealable terminal block covers.
Special features	1 A secondary current, Tropicalization

### Output Specifications

Rated secondary current	5 A or 1 A
-------------------------	------------

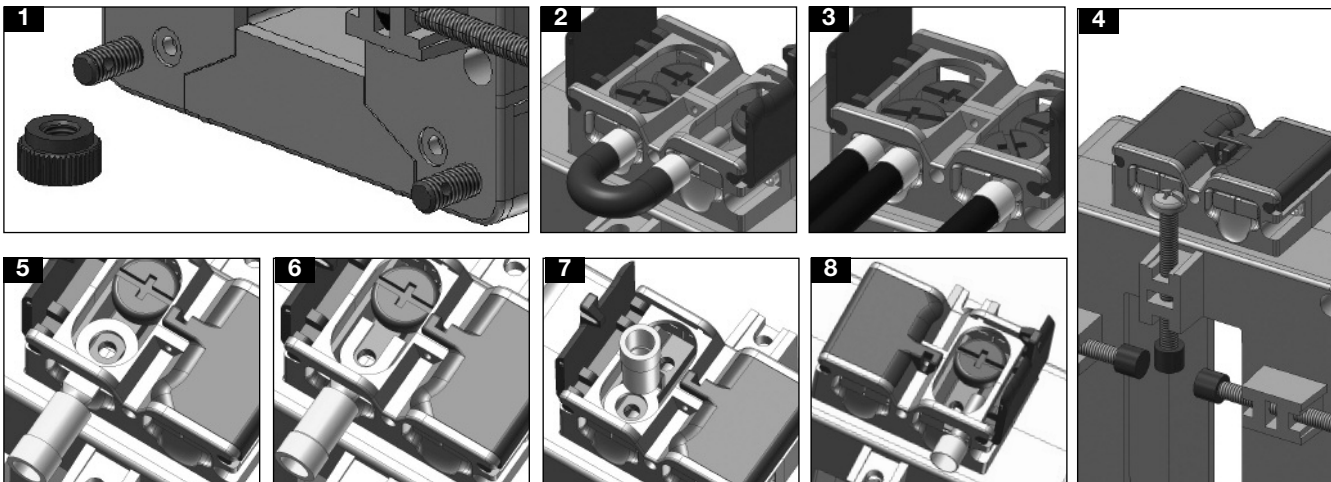


## Range Table

Model CTD-6S from 150A to 500A		
Primary Current	Burden (VA)	
	CL 1	CL 3
150 (@60°C/140°F)	-	1.5
200 (@60°C/140°F)	1.5	2
250 (@60°C/140°F)	1.5	3.75
300 (@60°C/140°F)	1.5	5
400 (@60°C/140°F)	2.5	5
500 (@60°C/140°F)	5	10

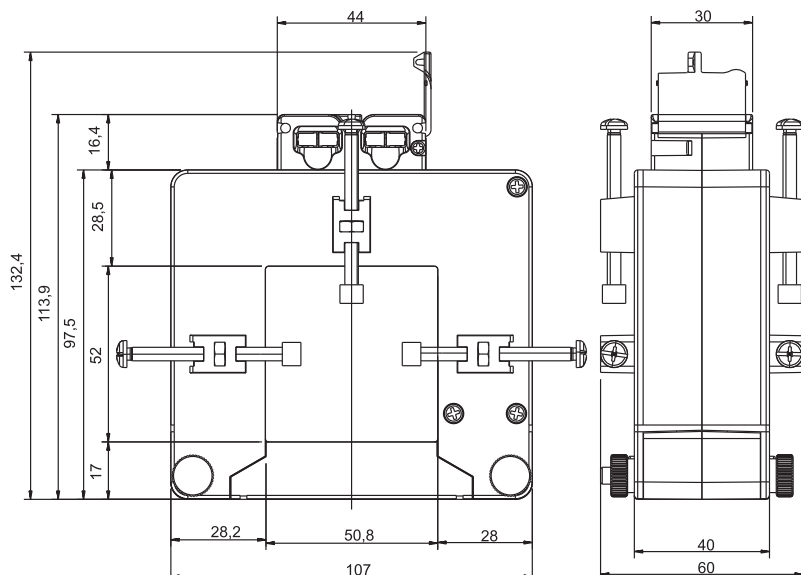
Model CTD-6S from 600A to 1000A		
Primary Current	Burden (VA)	
	CL 1	CL 3
600 (@60°C/140°F)	7.5	15
700 (@60°C/140°F)	7.5	15
750 (@50°C/122°F)	7.5	15
800 (@50°C/122°F)	10	15
1000 (@50°C/122°F)	10	15

## Benefits

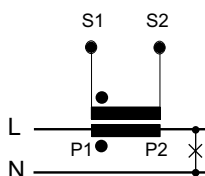


- Easy way to open and close the CT core by the dedicate selectable screws (see figure 1).
- Bridging of current transformer output without changing the connection of the secondary, so to avoid any output overvoltage during either the maintenance or the installation procedure (see figure 2).
- Easy output and earth connection (see fig. 3).
- Multiple screws provided with isolation cap screws to grant a strong and reliable fixing of the current transformer to the bus-bar (see figure 4).
- Screw terminals compatible with any kind of wire terminals and protection of screw terminals using specific sealable covers to assure always the best safety (see figure 5-6-7-8).

## Dimensions (mm)



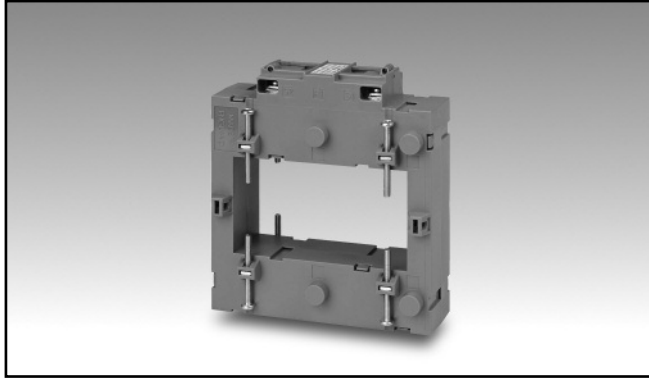
## Wiring Diagram



# Accessories

## AC Solid-core Current Transformer

### Type CTD-8Q ( max 55x100 mm)

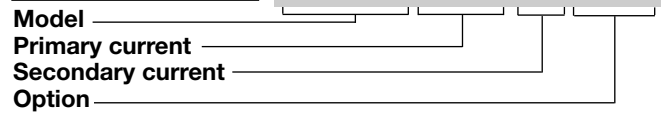


- Bus-bar type solid-core current transformer
- Accuracy class 0.5
- Current range from 1000 to 4000A
- Up to 8 bus-bar fixing screws
- Double screw terminals (up to 4-wire connections)
- Sealable terminal block covers

### Product Description

Solid-core current transformer with bus-bar mounting facility. Rated primary current from 1000 to 4000A.

### Ordering Key **CTD-8Q 4000 5A XXX**



### Type Selection

Model	Primary current	Secondary current	Option
CTD-8Q	1000 1500 2000 2500 3000 4000	5A	XXX: none

### Input Specifications

Operating frequency	50-60 Hz	Working temperature	-30°C to +40°C (-22°F to 104°F) (R.H. < 90% non condensing @ 40°C)
Max. system voltage	0.72 kV	Storage temperature	-30°C to +70°C (-22°F to 158°F) (R.H. < 90% non condensing @ 40°C)
Rated insulation level	3 kV/1 min. @ 50 Hz	Approvals	CE
Insulation class	B	Connection	Screw type
Short-time current rating	Typical 100 I <sub>n</sub> / 1 s 2.5 I <sub>th</sub> The short-time thermal current I <sub>th</sub> is anyway limited by the cable/bus-bar size	Cable cross section area	From 1.5 to 4 mm <sup>2</sup>
Security factor (FS)	≤ 10	Protection degree	IP20
		Bus-bar size	Max. 55x100 mm
		Weight	< 1.1 Kg

### General Specifications

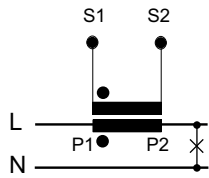
Standards	According to EN61869-2
Housing	Polycarbonate UL94 V2
Mounting	Bus-bar mounting
Standard accessories	Two terminal block screws. Eight bus-bar fixing screws. Two sealable terminal block covers.

### Output Specifications

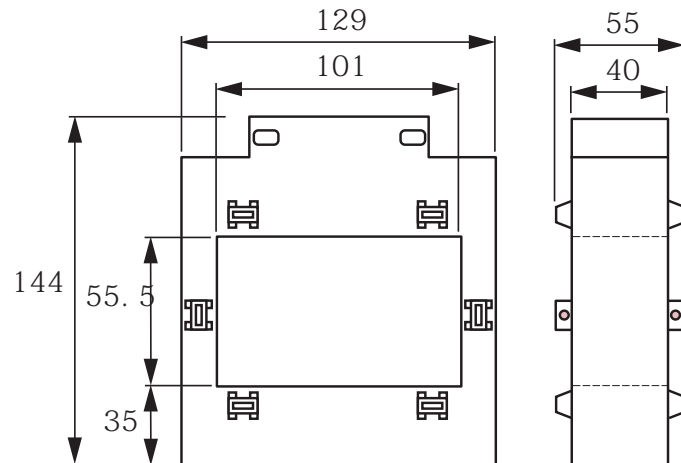
Rated secondary current	5 A
Burden	15 VA



## Wiring Diagram



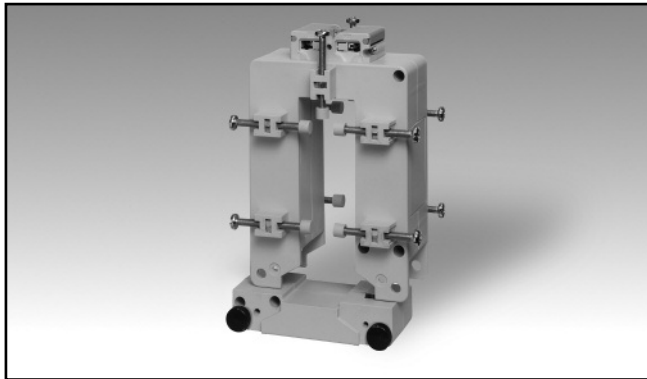
## Dimensions (mm)



# Accessories

## AC Split-Core Current Transformer

### Type CTD-8S ( max 30x80 mm)

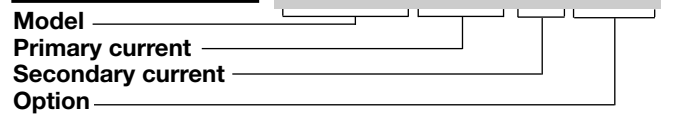


- Bus-bar type split core current transformer
- Class 1 accuracy
- Currents from 150 A to 2500 A
- Up to 10 Bus-bar isolated fixing screws
- Double screw terminals (up to 8-wire connections)
- Sealable terminal block covers
- Sealable fixing split-core screws

### Product Description

Split-core current transformer with bus-bar mounting facility. Rated primary currents from 150 A to 2500 A.

### Ordering Key **CTD-8S 1500 5A XXX**



### Type Selection

Primary current	Secondary current	Option
From 150A to 2500A (Refer to the Range Table)	1A (on request) 5A	XXX: none XTX: tropicalization (on request)

### Input Specifications

Operating frequency	48 to 62 Hz
Max. system voltage	0.72 kV
Rated insulation level	3 kV/1 min. @ 50 Hz
Insulation class	E (max 75°C)
Short-time current rating $I_{th}$ $I_{dyn}$	Typical 100 $I_n$ / 1 s 2.5 $I_{th}$ The short-time thermal current $I_{th}$ is anyway limited by the cable/bus-bar size
Extended current rating	Refer to the Range Table
Security factor (FS)	≤ 5 (Class: 1 and 3)

Working temperature	-25°C to: refer to the Range Table (-13°F to: refer to the Range Table) (R.H. < 90% non condensing @ 40°C)
Storage temperature	-30°C to +70°C (-22°F to 158°F) (R.H. < 90% non condensing @ 40°C)
Approvals	CE. cURus and CSA (150A to 1000A)
Connection Cable cross section area	Screw type From 1.5 to 6 mm <sup>2</sup> Min/Max screws tightening torque relevant to terminal block screws: From 1 to 2 Nm Max screws tightening torque relevant to the cable/bus-bar fixing screws: 0,3 Nm
Protection degree	IP00 (without sealable terminal covers) IP20 (with sealable terminal block covers + wire terminals)
Bus-bar size	Max. 30x80 mm
Weight	From 450 to 700 g

### General Specifications

Standards	According to EN61869-2
Housing	ABS, self-extinguishing: UL 94 V-0
Mounting	Bus-bar mounting
Standard accessories	Two terminal block screws. Ten bus-bar fixing screws. Ten plastic caps for bus-bar fixing screws. Two sealable terminal block covers.
Special features	1 A secondary current, Tropicalization

### Output Specifications

Rated secondary current	5 A or 1 A
-------------------------	------------

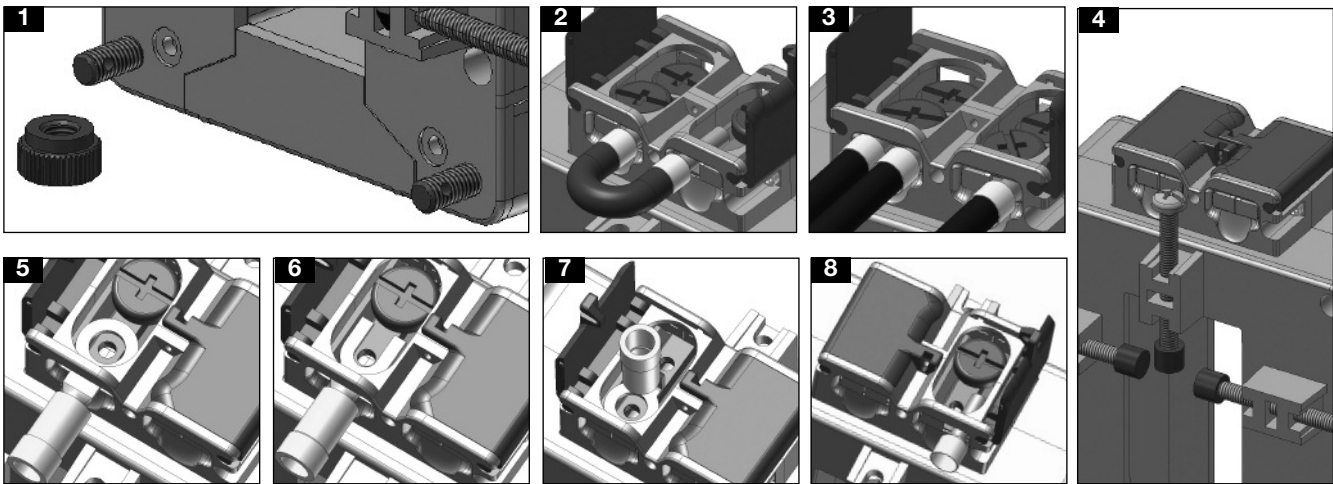
## Range Table

Model CTD-8S from 150A to 750A				
Primary Current A	Temperature	Extended current rating	Burden (VA)	
			CL 1	CL 3
150	(@60°C/140°F)	120%	-	1.5
200	(@60°C/140°F)	120%	-	1.5
250	(@60°C/140°F)	120%	-	2
300	(@60°C/140°F)	120%	-	2
400	(@60°C/140°F)	120%	3	5
500	(@60°C/140°F)	120%	5	7
600	(@60°C/140°F)	120%	6	10
700	(@60°C/140°F)	120%	6	10
750	(@60°C/140°F)	120%	8	12

Model CTD-8S from 800A to 2500A				
Primary Current A	Temperature	Extended current rating	Burden (VA)	
			CL 1	CL 3
800	(@60°C/140°F)	120%	8	12
1000	(@50°C/122°F)	120%	10	15
1200	(@50°C/122°F)	120%	12	15
1250	(@50°C/122°F)	120%	12	15
1500	(@50°C/122°F)	100% (+)	15	20
1600	(@50°C/122°F)	100% (*)	15	20
2000	(@50°C/122°F)	100% (*)	20	25
2500	(@40°C/104°F)	100% (*)	25	30

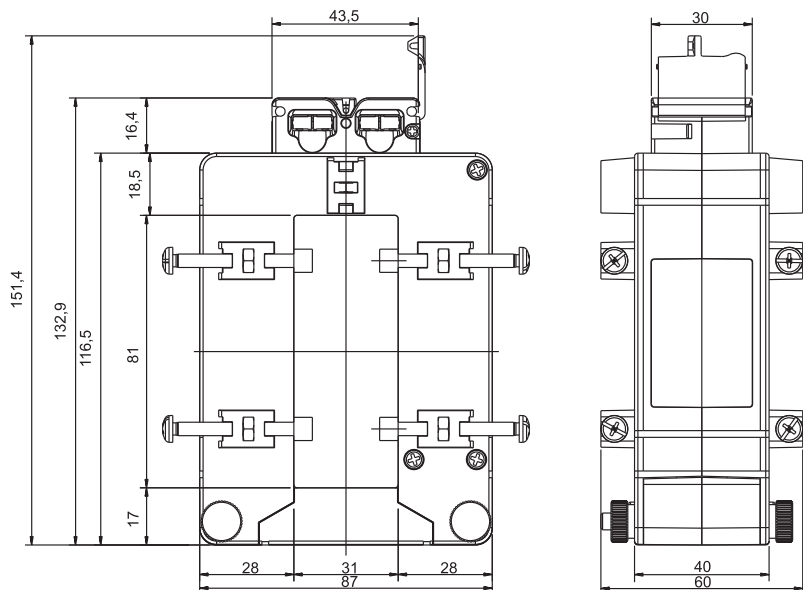
(\*) A max overload of 120% for 1 min. every 30 min. is allowed.  
 (+) A continuous overload of 120% of the range is allowed @ amb. temp. 40°C max.

## Benefits

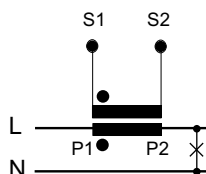


- Easy way to open and close the CT core by the dedicate selectable screws (see figure 1).
- Bridging of current transformer output without changing the connection of the secondary, so to avoid any output overvoltage during either the maintenance or the installation procedure (see figure 2).
- Easy output and earth connection (see fig. 3).
- Multiple screws provided with isolation cap screws to grant a strong and reliable fixing of the current transformer to the bus-bar (see figure 4).
- Screw terminals compatible with any kind of wire terminals and protection of screw terminals using specific sealable covers to assure always the best safety (see figure 5-6-7-8).

## Dimensions (mm)



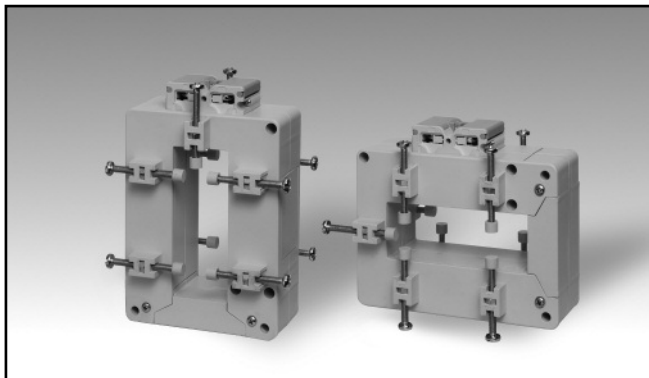
## Wiring Diagram



# Accessories

## AC Solid-core Current Transformer

### Type CTD-8V / CTD-8H ( max 30x80 mm)

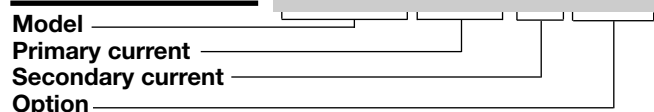


- Bus-bar type solid- core current transformer
- Class 0.5 accuracy
- Currents from 150 A to 2500 A
- Up to 10 Bus-bar isolated fixing screws
- Double screw terminals (up to 8-wire connections)
- Sealable terminal block covers

### Product Description

Solid-core current transformer with bus-bar mounting facility. Rated primary currents from 150 A to 2500 A.

### Ordering Key **CTD-8V 1500 5A XXX**



### Type Selection

Model	Primary current	Secondary current	Option
CTD-8V: vertical mounting	From 150A to 2500A	1A (on request)	XXX: none
CTD-8H: horizontal mounting	(Refer to the Range Table)	5A	XTX: tropicalization

### Input Specifications

Operating frequency	48 to 62 Hz
Max. system voltage	0.72 kV
Rated insulation level	3 kV/1 min. @ 50 Hz
Insulation class	E (max 75°C)
Short-time current rating $I_{th}$ $I_{dyn}$	Typical 100 $I_n$ /1 s 2.5 $I_{th}$ The short-time thermal current $I_{th}$ is anyway limited by the cable/bus-bar size
Extended current rating	Refer to the Range Table
Security factor (FS)	≤ 5 (Class: 0.5, 1 and 3)

Working temperature	-25°C to: refer to the Range Table (-13°F to: refer to the Range Table) (R.H. < 90% non condensing @ 40°C)
Storage temperature	-30°C to +70°C (-22°F to 158°F) (R.H. < 90% non condensing @ 40°C)
Approvals	CE. cURus and CSA (150A to 1000A)
Connection Cable cross section area	Screw type From 1.5 to 6 mm <sup>2</sup> Min/Max screws tightening torque relevant to terminal block screws: From 1 to 2 Nm Max screws tightening torque relevant to the cable/bus-bar fixing screws: 0,3 Nm
Protection degree	IP00 (without sealable terminal covers) IP20 (with sealable terminal block covers + wire terminals)
Bus-bar size	Max. 30x80 mm
Weight	From 450 to 700 g

### General Specifications

Standards	According to EN61869-2
Housing	ABS, self-extinguishing: UL 94 V-0
Mounting	Bus-bar mounting
Standard accessories	Two terminal block screws. Ten bus-bar fixing screws. Ten plastic caps for bus-bar fixing screws. Two sealable terminal block covers.
Special features	1 A secondary current, Tropicalization

### Output Specifications

Rated secondary current	5 A or 1 A
-------------------------	------------



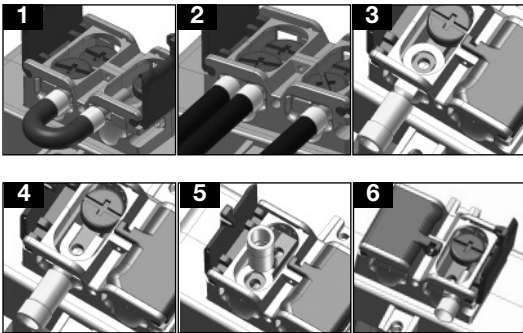
## Range Table

Model CTD-8V and CTD-8H from 150A to 750A					
Primary Current	Temperature	Extended current rating	Burden (VA)		
			CL 0.5	CL 1	CL 3
150	@60°C/140°F	120%	-	-	2
200	@60°C/140°F	120%	-	-	4
250	@60°C/140°F	120%	-	-	5
300	@60°C/140°F	120%	-	2	6
400	@60°C/140°F	120%	3	5	8
500	@60°C/140°F	120%	5	7	10
600	@60°C/140°F	120%	6	10	12
700	@60°C/140°F	120%	6	10	12
750	@60°C/140°F	120%	8	12	15

Model CTD-8V and CTD-8H from 800A to 2500A					
Primary Current	Temperature	Extended current rating	Burden (VA)		
			CL 0.5	CL 1	CL 3
800	@60°C/140°F	120%	8	12	15
1000	@50°C/122°F	120%	10	15	20
1200	@50°C/122°F	120%	12	15	20
1250	@50°C/122°F	120%	12	15	20
1500	@50°C/122°F	100% (+)	15	20	25
1600	@50°C/122°F	100% (*)	15	20	25
2000	@50°C/122°F	100% (*)	20	25	30
2500	@40°C/104°F	100% (*)	25	30	40

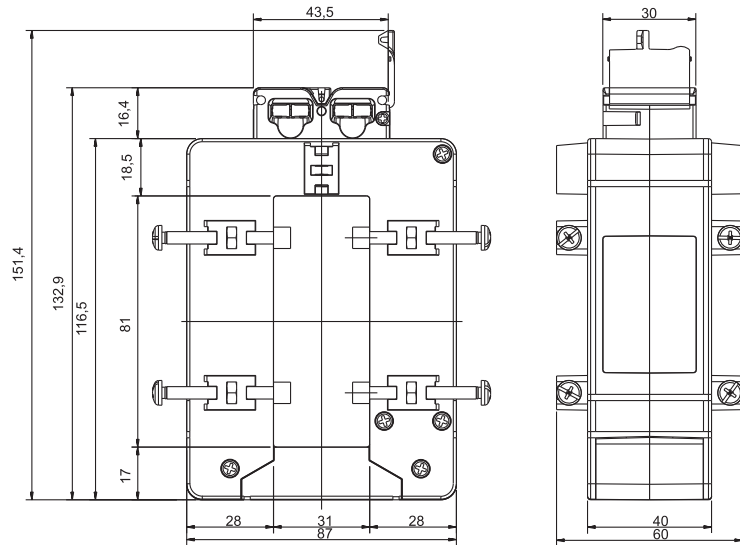
(\*) A max overload of 120% for 1 min. every 30 min. is allowed.  
 (+) A continuous overload of 120% of the range is allowed @ amb. temp. 40°C max.

## Benefits

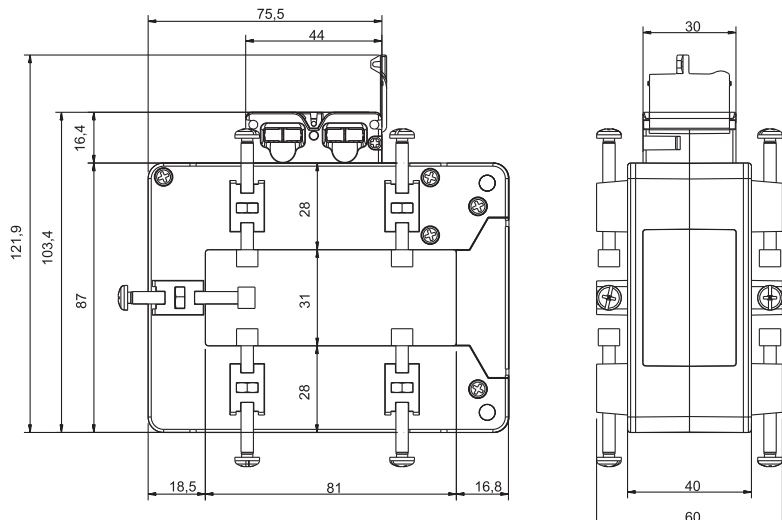


- Bridging of current transformer output without changing the connection of the secondary, so to avoid any output overvoltage during either the maintenance or the installation procedure (see figure 1).
- Easy output and earth connection (see fig. 2).
- Screw terminals compatible with any kind of wire terminals (see figure 3-4-5-6).

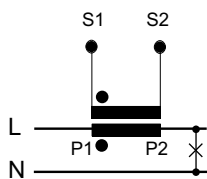
## Dimensions Vertical mounting (mm)



## Dimensions Horizontal mounting (mm)



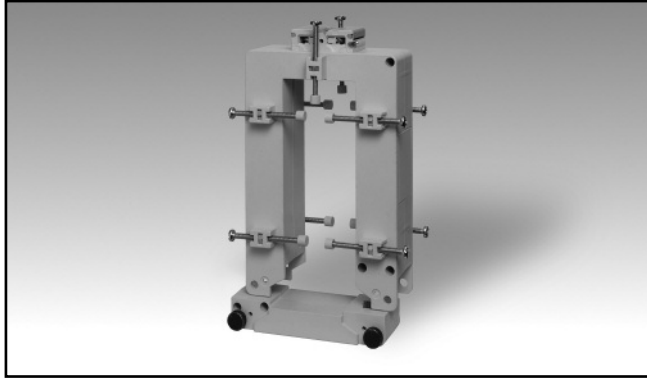
## Wiring Diagram



# Accessories

## AC Split-Core Current Transformer

### Type CTD-9S ( max 35x125 mm)

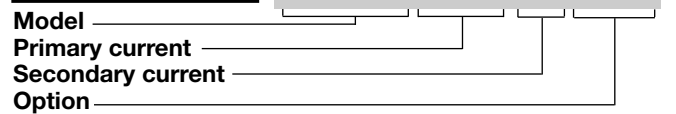


- Bus-bar type split core current transformer
- Class 1 accuracy
- Currents from 400 A to 3200 A
- Up to 10 Bus-bar isolated fixing screws
- Double screw terminals (up to 8-wire connections)
- Sealable terminal block covers
- Sealable fixing split-core screws

### Product Description

Split-core current transformer with bus-bar mounting facility. Rated primary currents from 400 A to 3200 A.

### Ordering Key **CTD-9S 2000 5A XXX**



### Type Selection

Primary current	Secondary current	Option
From 400A to 3200A (Refer to the Range Table)	1A (on request) 5A	XXX: none XTX: tropicalization (on request)

### Input Specifications

Operating frequency	48 to 62 Hz
Max. system voltage	0.72 kV
Rated insulation level	3 kV/1 min. @ 50 Hz
Insulation class	E (max 75°C)
Short-time current rating $I_{th}$ $I_{dyn}$	Typical 100 $I_n$ / 1 s 2.5 $I_{th}$ The short-time thermal current $I_{th}$ is anyway limited by the cable/bus-bar size
Extended current rating	refer to the Range Table
Security factor (FS)	≤ 5 (Class: 1 and 3)

Working temperature	-25°C to: refer to the Range Table (-13°F to: refer to the Range Table) (R.H. < 90% non condensing @ 40°C)
Storage temperature	-30°C to +70°C (-22°F to 158°F) (R.H. < 90% non condensing @ 40°C)
Approvals	CE. cURus and CSA (400A to 2000A)
Connection Cable cross section area	Screw type From 1.5 to 6 mm <sup>2</sup> Min/Max screws tightening torque relevant to terminal block screws: From 1 to 2 Nm Max screws tightening torque relevant to the cable/bus-bar fixing screws: 0,3 Nm
Protection degree	IP00 (without sealable terminal covers) IP20 (with sealable terminal block covers + wire terminals)
Bus-bar size	Max. 35x125 mm
Weight	From 450 to 700 g

### General Specifications

Standards	According to EN61869-2
Housing	ABS, self-extinguishing: UL 94 V-0
Mounting	Bus-bar mounting
Standard accessories	Two terminal block screws. Ten cable/bus-bar fixing screws. Ten plastic caps for cable/bus-bar fixing screws. Two sealable terminal block covers.
Special features	1 A secondary current, Tropicalization

### Output Specifications

Rated secondary current	5 A or 1 A
-------------------------	------------



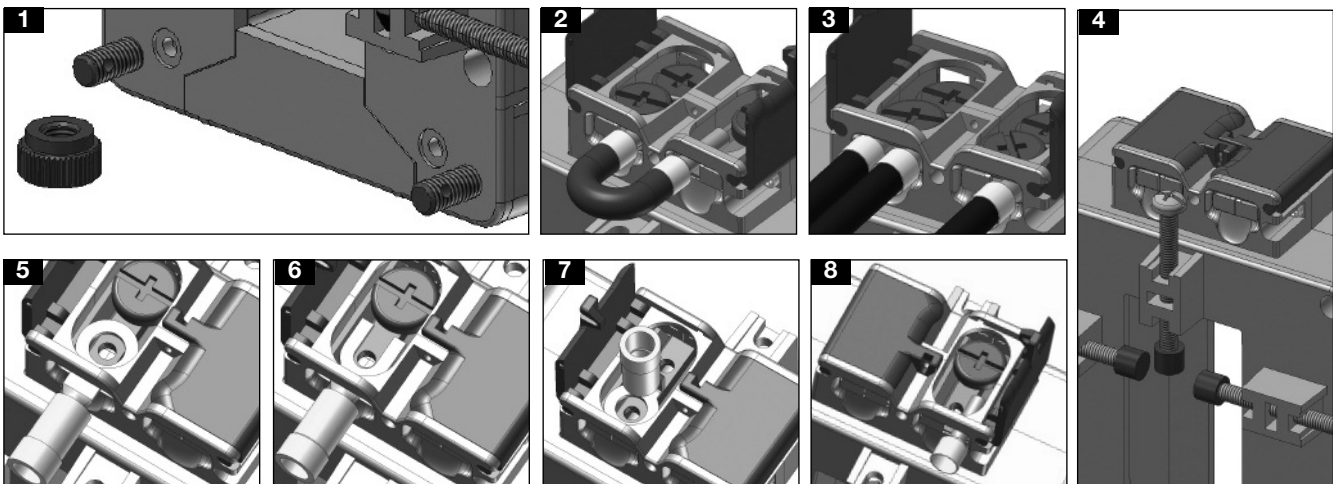
## Range Table

Model CTD-9S from 400A to 1200A				
Primary Current A	Temperature	Extended current rating	Burden (VA)	
			CL 1	CL 3
400	(@60°C/140°F)	120%		3
500	(@60°C/140°F)	120%	2	4
600	(@60°C/140°F)	120%	4	6
700	(@60°C/140°F)	120%	4	8
750	(@60°C/140°F)	120%	4	8
800	(@60°C/140°F)	120%	4	8
1000	(@60°C/140°F)	120%	6	10
1200	(@50°C/122°F)	120%	8	12

Model CTD-9S from 1250A to 3200A				
Primary Current A	Temperature	Extended current rating	Burden (VA)	
			CL 1	CL 3
1250	(@50°C/122°F)	120%	8	12
1500	(@50°C/122°F)	120%	10	15
1600	(@50°C/122°F)	120%	10	15
2000	(@50°C/122°F)	100% (+)	15	20
2500	(@50°C/122°F)	100% (*)	20	25
3000	(@40°C/104°F)	100% (*)	25	30
3200	(@40°C/104°F)	100% (*)	25	30

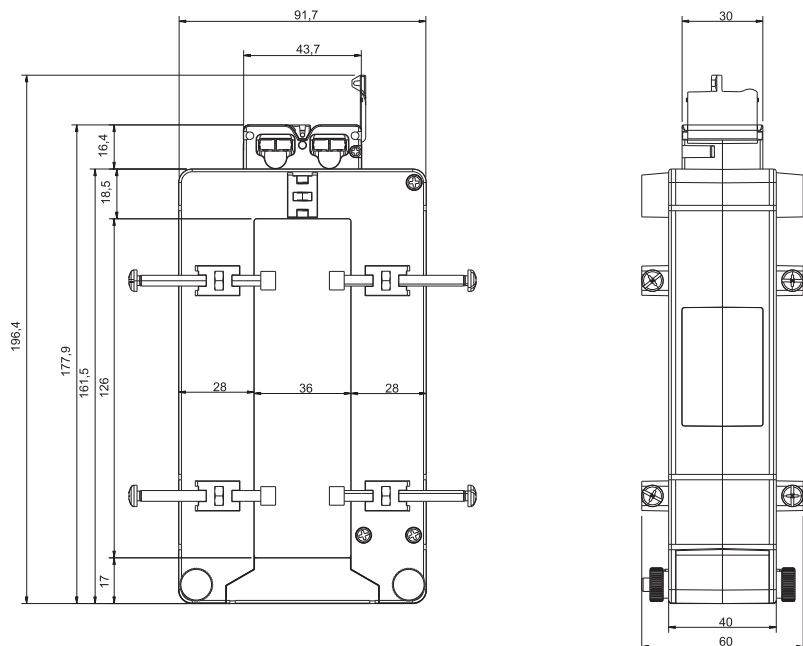
(\*) A max overload of 120% for 1 min. every 30 min. is allowed.  
 (+) A continuous overload of 120% of the range is allowed @ amb. temp. 40°C max.

## Benefits

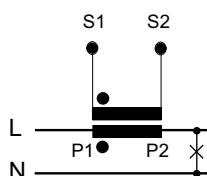


- Easy way to open and close the CT core by the dedicate selectable screws (see figure 1).
- Bridging of current transformer output without changing the connection of the secondary, so to avoid any output overvoltage during either the maintenance or the installation procedure (see figure 2).
- Easy output and earth connection (see fig. 3).
- Multiple screws provided with isolation cap screws to grant a strong and reliable fixing of the current transformer to the bus-bar (see figure 4).
- Screw terminals compatible with any kind of wire terminals and protection of screw terminals using specific sealable covers to assure always the best safety (see figure 5-6-7-8).

## Dimensions (mm)



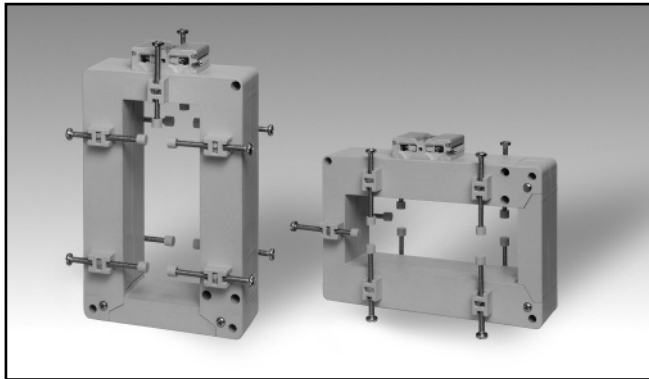
## Wiring Diagram



# Accessories

## AC Solid-core Current Transformer

### Type CTD-9V / CTD-9H ( max 35x125 mm)

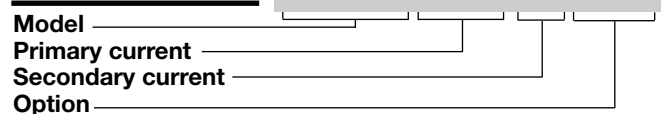


- Bus-bar type solid-core current transformer
- Class 0.5 accuracy
- Currents from 400 A to 3200 A
- Up to 10 Bus-bar isolated fixing screws
- Double screw terminals (up to 8-wire connections)
- Sealable terminal block covers

### Product Description

Solid-core current transformer with bus-bar mounting facility. Rated primary currents from 400 A to 3200 A.

### Ordering Key **CTD-9V 2000 5A XXX**



### Type Selection

Model	Primary current	Secondary current	Option
CTD-9V: vertical mounting	From 400A to 3200A (Refer to the Range Table)	1A (on request) 5A	XXX: none
CTD-9H: horizontal mounting			XTX: tropicalization

### Input Specifications

Operating frequency	48 to 62 Hz	Working temperature	-25°C to: refer to the Range Table (-13°F to: refer to the Range Table) (R.H. < 90% non condensing @ 40°C)
Max. system voltage	0.72 kV	Storage temperature	-30°C to +70°C (-22°F to 158°F) (R.H. < 90% non condensing @ 40°C)
Rated insulation level	3 kV/1 min. @ 50 Hz	Approvals	CE, cURus and CSA (400A to 2000A)
Insulation class	E (max 75°C)	Connection	Screw type Cable cross section area
Short-time current rating $I_{th}$ $I_{dyn}$	Typical 100 $I_n$ / 1 s 2.5 $I_{th}$ The short-time thermal current $I_{th}$ is anyway limited by the cable/bus-bar size		From 1.5 to 6 mm <sup>2</sup> Min/Max screws tightening torque relevant to terminal block screws: From 1 to 2 Nm Max screws tightening torque relevant to the cable/bus-bar fixing screws: 0,3 Nm
Extended current rating	refer to the Range Table	Protection degree	IP00 (without sealable terminal covers) IP20 (with sealable terminal block covers + wire terminals)
Security factor (FS)	≤ 5 (Class: 0.5, 1 and 3)	Bus-bar size	Max. 35x125 mm
		Weight	From 450 to 700 g

### General Specifications

Standards	According to EN61869-2
Housing	ABS, self-extinguishing: UL 94 V-0
Mounting	Bus-bar mounting
Standard accessories	Two terminal block screws. Ten bus-bar fixing screws. Ten plastic caps for bus-bar fixing screws. Two sealable terminal block covers.
Special features	1 A secondary current, Tropicalization

### Output Specifications

Rated secondary current	5 A or 1 A
-------------------------	------------



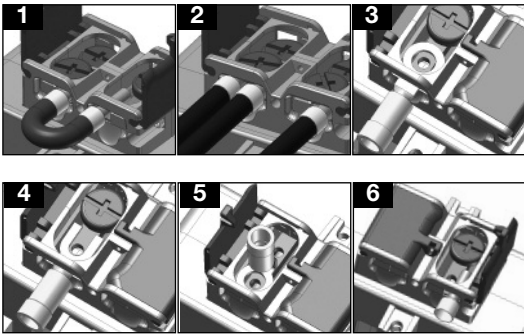
## Range Table

Model CTD-9V and CTD-9H from 400A to 1200A					
Primary Current	Temperature	Extend. current rating	Burden (VA)		
			CL 0.5	CL 1	CL 3
400	(@60°C/140°F)	120%		3	6
500	(@60°C/140°F)	120%	2	4	8
600	(@60°C/140°F)	120%	4	6	10
700	(@60°C/140°F)	120%	4	8	10
750	(@60°C/140°F)	120%	4	8	10
800	(@60°C/140°F)	120%	4	8	10
1000	(@60°C/140°F)	120%	6	10	13
1200	(@50°C/122°F)	120%	8	12	15

Model CTD-9V and CTD-9H from 1250A to 3200A					
Primary Current	Temperature	Extend. current rating	Burden (VA)		
			CL 0.5	CL 1	CL 3
1250	(@50°C/122°F)	120%	8	12	15
1500	(@50°C/122°F)	120%	10	15	18
1600	(@50°C/122°F)	120%	10	15	18
2000	(@50°C/122°F)	100% (+)	15	20	24
2500	(@50°C/122°F)	100% (*)	20	25	30
3000	(@40°C/104°F)	100% (*)	25	30	35
3200	(@40°C/104°F)	100% (*)	25	30	35

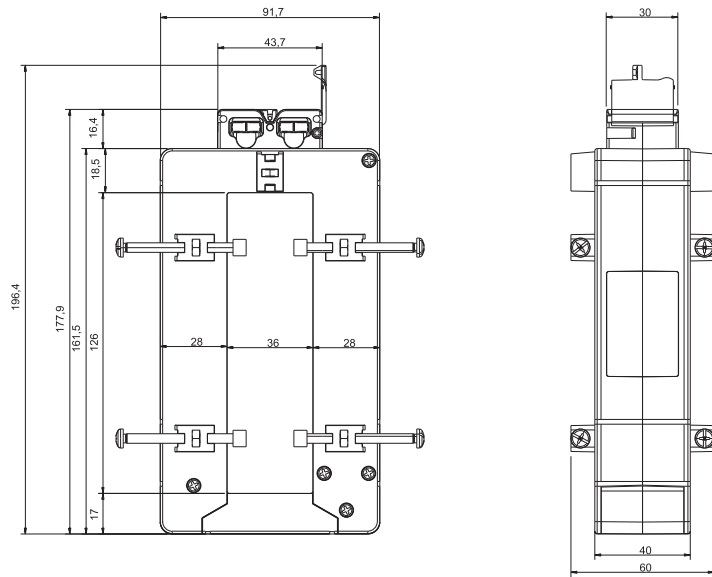
(\*) A max overload of 120% for 1 min. every 30 min. is allowed.  
 (+) A continuous overload of 120% of the range is allowed @ amb. temp. 40°C max.

## Benefits

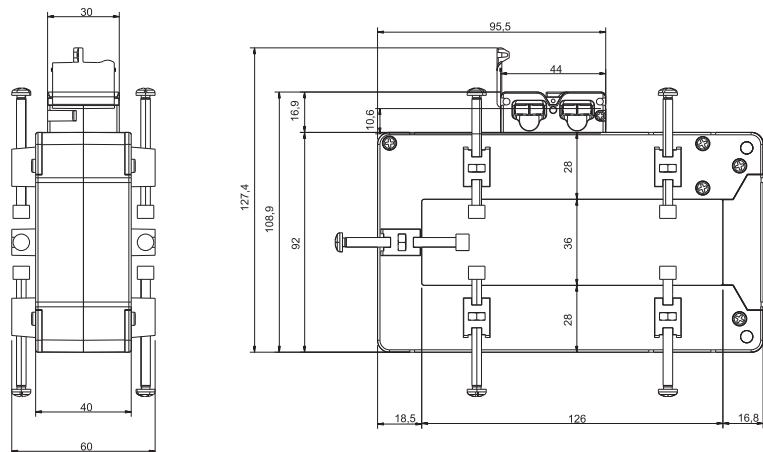


- Bridging of current transformer output without changing the connection of the secondary, so to avoid any output overvoltage during either the maintenance or the installation procedure (see figure 1).
- Easy output and earth connection (see fig. 2).
- Screw terminals compatible with any kind of wire terminals (see figure 3-4-5-6).

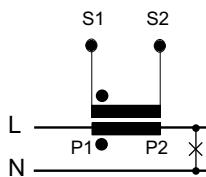
## Dimensions Vertical mounting (mm)



## Dimensions Horizontal mounting (mm)



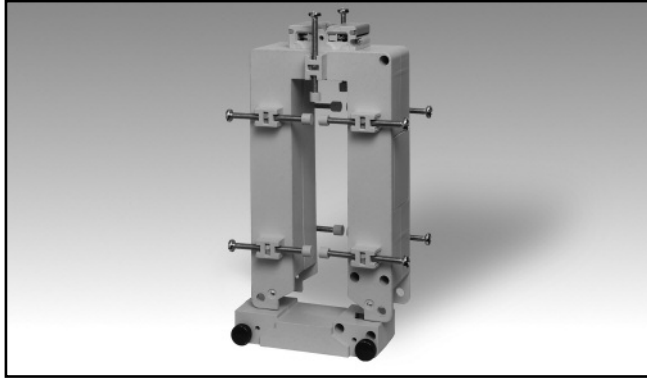
## Wiring Diagram



# Accessories

## AC Split-Core Current Transformer

### Type CTD-10S ( max 50x126 mm)

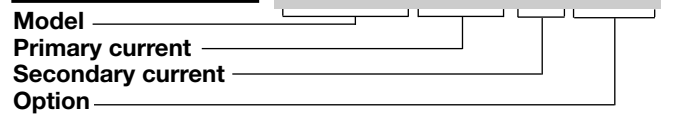


- Bus-bar type split-core current transformer
- Class 1 accuracy
- Currents from 400 A to 3200 A
- Up to 10 Bus-bar isolated fixing screws
- Double screw terminals (up to 8-wire connections)
- Sealable terminal block covers
- Sealable fixing split-core screws

### Product Description

Split-core current transformer with bus-bar mounting facility. Rated primary currents from 400 A to 3200 A.

### Ordering Key **CTD-10S 2000 5A XXX**



### Type Selection

Primary current	Secondary current	Option
From 400A to 3200A (Refer to the Range Table)	1A (on request) 5A	XXX: none XTX: tropicalization (on request)

### Input Specifications

Operating frequency	48 to 62 Hz
Max. system voltage	0.72 kV
Rated insulation level	3 kV/1 min. @ 50 Hz
Insulation class	E (max 75°C)
Short-time current rating $I_{th}$ $I_{dyn}$	Typical 100 $I_n$ / 1 s 2.5 $I_{th}$ The short-time thermal current $I_{th}$ is anyway limited by the cable/bus-bar size
Extended current rating	refer to the Range Table
Security factor (FS)	≤ 5 (Class: 1 and 3)

Working temperature	-25°C to: refer to the Range Table (-13°F to: refer to the Range Table) (R.H. < 90% non condensing @ 40°C)
Storage temperature	-30°C to +70°C (-22°F to 158°F) (R.H. < 90% non condensing @ 40°C)
Approvals	CE. cURus and CSA (400A to 2000A)
Connection Cable cross section area	Screw type From 1.5 to 6 mm <sup>2</sup> Min/Max screws tightening torque relevant to terminal block screws: From 1 to 2 Nm Max screws tightening torque relevant to the cable/bus-bar fixing screws: 0,3 Nm
Protection degree	IP00 (with sealable terminal covers) IP20 (with sealable terminal block covers + wire terminals)
Bus-bar size	Max. 51x125 mm
Weight	From 450 to 700 g

### General Specifications

Standards	According to EN61869-2
Housing	ABS, self-extinguishing: UL 94 V-0
Mounting	Bus-bar mounting
Standard accessories	Two terminal block screws. Ten bus-bar fixing screws. Ten plastic caps for bus-bar fixing screws. Two sealable terminal block covers.
Special features	1 A secondary current, Tropicalization

### Output Specifications

Rated secondary current	5 A or 1 A
-------------------------	------------

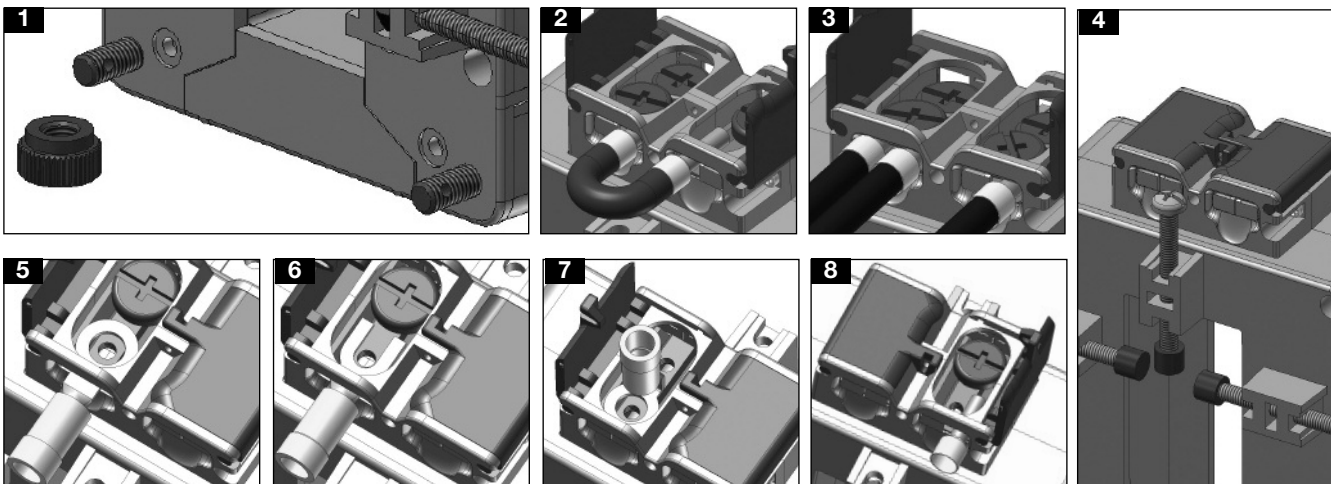
## Range Table

Model CTD-10S from 400A to 1200A				
Primary Current A	Temperature	Extended current rating	Burden (VA)	
			CL 1	CL 3
400	(@60°C/140°F)	120%	1	7
500	(@60°C/140°F)	120%	3	10
600	(@60°C/140°F)	120%	5	12
700	(@60°C/140°F)	120%	8	15
750	(@60°C/140°F)	120%	10	15
800	(@60°C/140°F)	120%	10	15
1000	(@60°C/140°F)	120%	12	20
1200	(@50°C/122°F)	120%	15	25

Model CTD-10S from 1250A to 3200A				
Primary Current A	Temperature	Extended current rating	Burden (VA)	
			CL 1	CL 3
1250	(@50°C/122°F)	120%	15	25
1500	(@50°C/122°F)	120%	20	30
1600	(@50°C/122°F)	120%	20	30
2000	(@50°C/122°F)	100% (+)	25	40
2500	(@50°C/122°F)	100% (*)	30	50
3000	(@40°C/104°F)	100% (*)	30	50
3200	(@40°C/104°F)	100% (*)	30	50

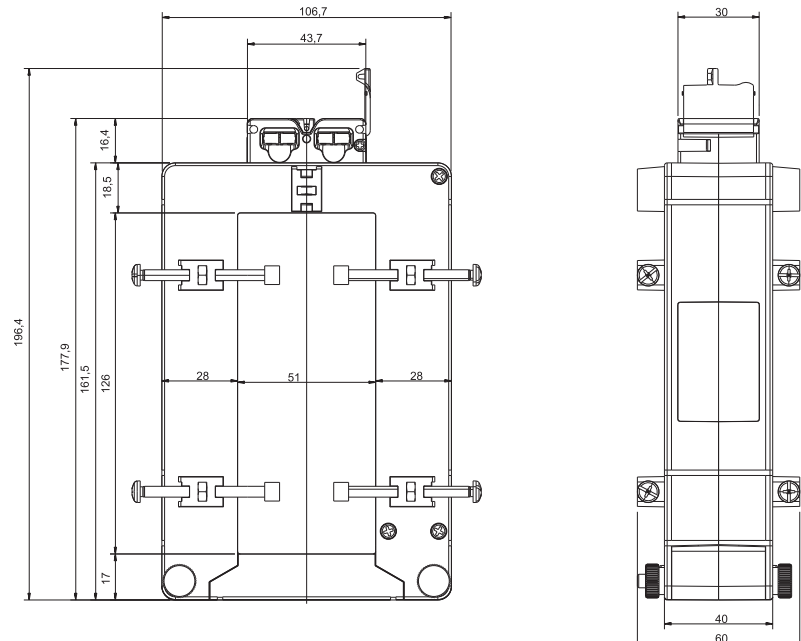
(\*) A max overload of 120% for 1 min. every 30 min. is allowed.  
 (+) A continuous overload of 120% of the range is allowed @ amb. temp. 40°C max.

## Benefits

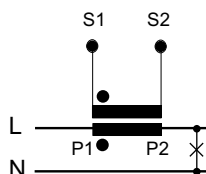


- Easy way to open and close the CT core by the dedicate selectable screws (see figure 1).
- Bridging of current transformer output without changing the connection of the secondary, so to avoid any output overvoltage during either the maintenance or the installation procedure (see figure 2).
- Easy output and earth connection (see fig. 3).
- Multiple screws provided with isolation cap screws to grant a strong and reliable fixing of the current transformer to the bus-bar (see figure 4).
- Screw terminals compatible with any kind of wire terminals and protection of screw terminals using specific sealable covers to assure always the best safety (see figure 5-6-7-8).

## Dimensions (mm)



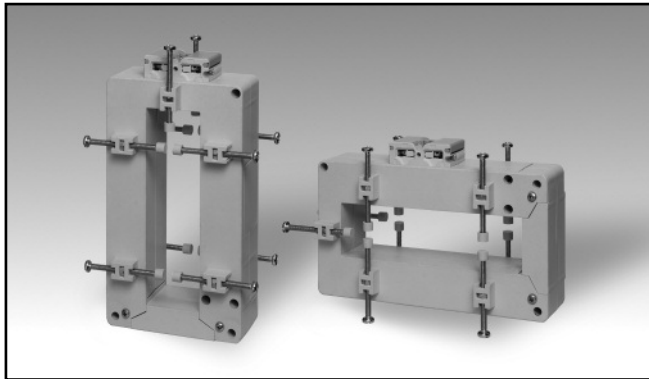
## Wiring Diagram



# Accessories

## AC Solid-core Current Transformer

### Type CTD-10V / CTD10-H ( max 50x125 mm)



- Bus-bar type solid-core current transformer
- Class 0.5 accuracy
- Currents from 400 A to 3200 A
- Up to 10 Bus-bar isolated fixing screws
- Double screw terminals (up to 8-wire connections)
- Sealable terminal block covers

### Product Description

Solid-core current transformer with bus-bar mounting facility. Rated primary currents from 400 A to 3200 A.

### Ordering Key **CTD-10V 2000 5A XXX**



### Type Selection

Model	Primary current	Secondary current	Option
CTD-10V: vertical mounting	From 400A to 3200A (Refer to the Range Table)	1A (on request) 5A	XXX: none
CTD-10H: horizontal mounting			XTX: tropicalization

### Input Specifications

Operating frequency	48 to 62 Hz
Max. system voltage	0.72 kV
Rated insulation level	3 kV/1 min. @ 50 Hz
Insulation class	E (max 75°C)
Short-time current rating $I_{th}$ $I_{dyn}$	Typical 100 $I_n$ / 1 s 2.5 $I_{th}$ The short-time thermal current $I_{th}$ is anyway limited by the cable/bus-bar size
Extended current rating	Refer to the Range Table
Security factor (FS)	≤ 5 (Class: 0.5, 1 and 3)

Working temperature	-25°C to: refer to the Range Table (-13°F to: refer to the Range Table) (R.H. < 90% non condensing @ 40°C)
Storage temperature	-30°C to +70°C (-22°F to 158°F) (R.H. < 90% non condensing @ 40°C)
Approvals	CE. cURus and CSA (400A to 2000A)
Connection Cable cross section area	Screw type From 1.5 to 6 mm <sup>2</sup> Min/Max screws tightening torque relevant to terminal block screws: From 1 to 2 Nm Max screws tightening torque relevant to the cable/bus-bar fixing screws: 0,3 Nm
Protection degree	IP00 (without sealable terminal covers) IP20 (with sealable terminal block covers + wire terminals)
Bus-bar size	Max. 50x125 mm
Weight	From 450 to 700 g

### General Specifications

Standards	According to EN61869-2
Housing	ABS, self-extinguishing: UL 94 V-0
Mounting	Bus-bar mounting
Standard accessories	Two terminal block screws. Ten bus-bar fixing screws. Ten plastic caps for bus-bar fixing screws. Two sealable terminal block covers.
Special features	1 A secondary current, Tropicalization

### Output Specifications

Rated secondary current	5 A or 1 A
-------------------------	------------

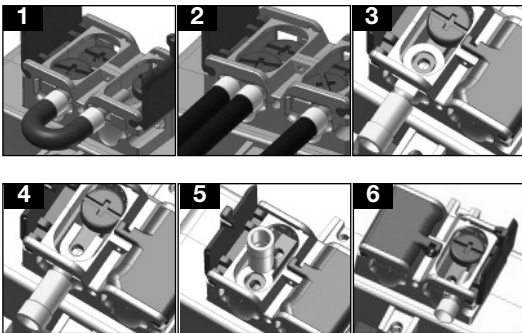
## Range Table

Model CTD-10V and CTD-10H from 400A to 1200A					
Primary Current	Temperature	Extended current rating	Burden (VA)		
			CL 0.5	CL 1	CL 3
400	(@60°C/140°F)	120%	1	7	10
500	(@60°C/140°F)	120%	3	10	14
600	(@60°C/140°F)	120%	5	12	17
700	(@60°C/140°F)	120%	8	15	20
750	(@60°C/140°F)	120%	10	15	20
800	(@60°C/140°F)	120%	10	15	20
1000	(@60°C/140°F)	120%	12	20	25
1200	(@50°C/122°F)	120%	15	25	30

Model CTD-10V and CTD-10H from 1250A to 3200A					
Primary Current	Temperature	Extended current rating	Burden (VA)		
			CL 0.5	CL 1	CL 3
1250	(@50°C/122°F)	120%	15	25	30
1500	(@50°C/122°F)	120%	20	30	40
1600	(@50°C/122°F)	120%	20	30	40
2000	(@50°C/122°F)	100% (+)	25	40	50
2500	(@50°C/122°F)	100% (*)	30	50	60
3000	(@40°C/104°F)	100% (*)	30	50	60
3200	(@40°C/104°F)	100% (*)	30	50	60

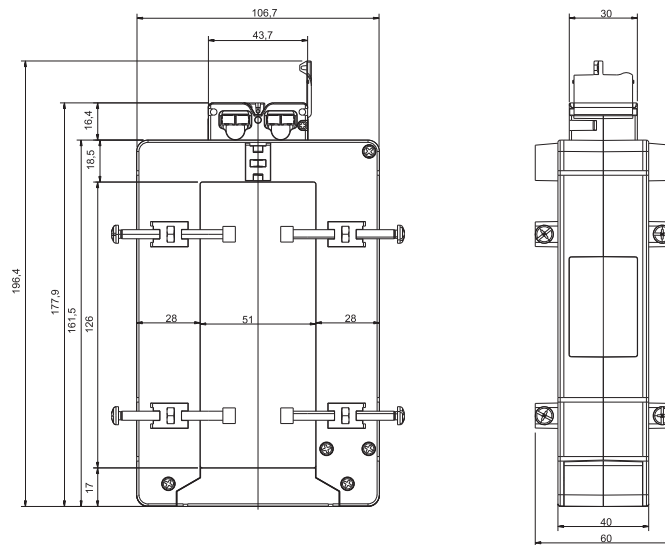
(\*) A Max overload of 120% for 1 min. every 30 min. is allowed.  
 (+) A continuous overload of 120% of the range is allowed @ amb. temp. 40°C max.

## Benefits

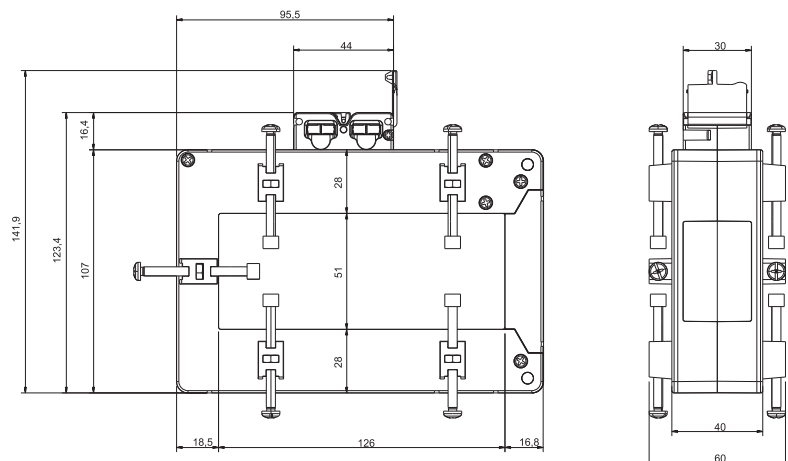


- Bridging of current transformer output without changing the connection of the secondary, so to avoid any output overvoltage during either the maintenance or the installation procedure (see figure 1).
- Easy output and earth connection (see fig. 2).
- Screw terminals compatible with any kind of wire terminals (see figure 3-4-5-6).

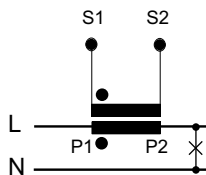
## Dimensions Vertical mounting (mm)



## Dimensions Horizontal mounting (mm)



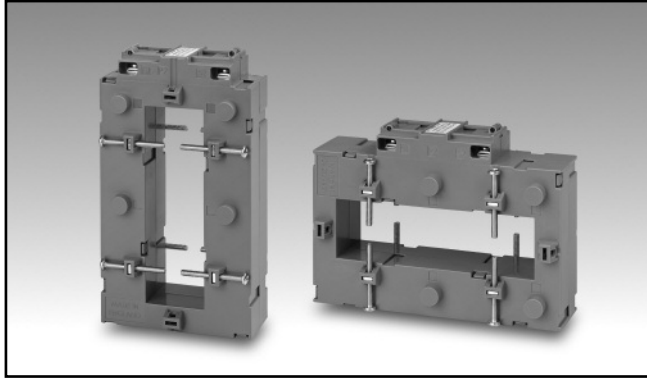
## Wiring Diagram



# Accessories

## AC Solid-core Current Transformer

### Type CTD-11V/11H ( max 35x125 mm)

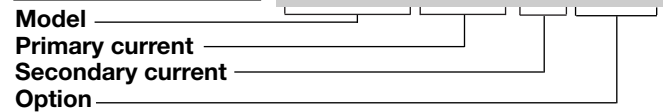


- Bus-bar type solid-core current transformer
- Accuracy class 0.5
- Current range from 1000 to 4000A
- Up to 8 bus-bar fixing screws
- Double screw terminals (up to 4-wire connections)
- Sealable terminal block covers

### Product Description

Solid-core current transformer with bus-bar mounting facility. Rated primary current from 1000 to 4000A.

### Ordering Key CTD-11V 4000 5A XXX



### Type Selection

Model	Primary current	Secondary current	Option
CTD-11V: vertical mounting CTD-11H: horizontal mounting	1000 1500 2000 2500 3000 4000	5A	XXX: none

### Input Specifications

Operating frequency	50-60 Hz
Max. system voltage	0.72 kV
Rated insulation level	3 kV/1 min. @ 50 Hz
Insulation class	B
Short-time current rating $I_{th}$ $I_{dyn}$	Typical 100 $I_n$ / 1 s 2.5 $I_{th}$ The short-time thermal current $I_{th}$ is anyway limited by the cable/bus-bar size
Security factor (FS)	≤ 10

Working temperature	-30°C to +40°C (-22°F to 104°F) (R.H. < 90% non condensing @ 40°C)
Storage temperature	-30°C to +70°C (-22°F to 158°F) (R.H. < 90% non condensing @ 40°C)
Approvals	CE
Connection Cable cross section area	Screw type From 1.5 to 4 mm <sup>2</sup>
Protection degree	IP20
Bus-bar size	Max. 35x125 mm
Weight	< 1.2 Kg

### General Specifications

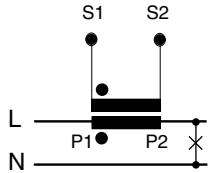
Standards	According to EN60044-1
Housing	Polycarbonate UL94 V2
Mounting	Bus-bar mounting
Standard accessories	Two terminal block screws. Eight bus-bar fixing screws. Two sealable terminal block covers.

### Output Specifications

Rated secondary current	5 A
Burden	15 VA

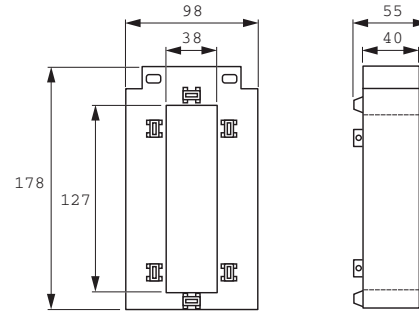
## Wiring Diagram

---



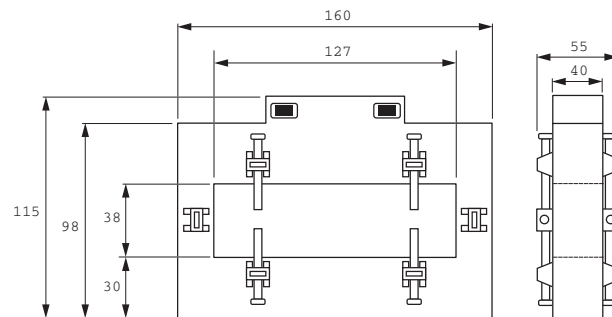
## Dimensions Vertical mounting (mm)

---



## Dimensions Horizontal mounting (mm)

---

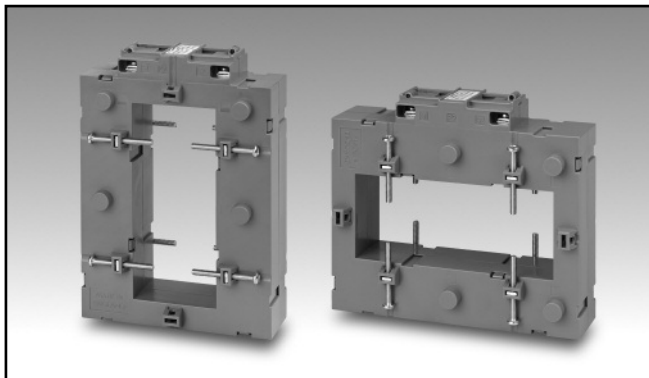




# Accessories

## AC Solid-core Current Transformer

### Type CTD-12V/12H ( max 53x125 mm)

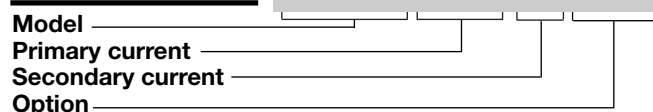


- Bus-bar type solid-core current transformer
- Accuracy class 0.5
- Current range from 1000 to 4000A
- Up to 8 bus-bar fixing screws
- Double screw terminals (up to 4-wire connections)
- Sealable terminal block covers

### Product Description

Solid-core current transformer with bus-bar mounting facility. Rated primary current from 1000 to 4000A.

### Ordering Key **CTD-12V 4000 5A XXX**



### Type Selection

Model	Primary current	Secondary current	Option
CTD-12V: vertical mounting	1000	5A	XXX: none
CTD-12H: horizontal mounting	1500		
	2000		
	2500		
	3000		
	4000		

### Input Specifications

Operating frequency	50-60 Hz	Working temperature	-30°C to +40°C (-22°F to 104°F) (R.H. < 90% non condensing @ 40°C)
Max. system voltage	0.72 kV	Storage temperature	-30°C to +70°C (-22°F to 158°F) (R.H. < 90% non condensing @ 40°C)
Rated insulation level	3 kV/1 min. @ 50 Hz	Approvals	CE
Insulation class	B (1000 to 4000A)	Connection	Screw type Cable cross section area From 1.5 to 4 mm <sup>2</sup>
Short-time current rating $I_{th}$ $I_{dyn}$	Typical 100 $I_n$ / 1 s 2.5 $I_{th}$ The short-time thermal current $I_{th}$ is anyway limited by the cable/bus-bar size	Protection degree	IP20
Security factor (FS)	≤ 10	Bus-bar size	Max. 53x125 mm
		Weight	< 1.3 Kg

### General Specifications

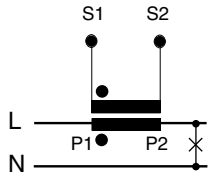
Standards	According to EN60044-1
Housing	Polycarbonate UL94 V2
Mounting	Bus-bar mounting
Standard accessories	Two terminal block screws. Eight bus-bar fixing screws. Two sealable terminal block covers.

### Output Specifications

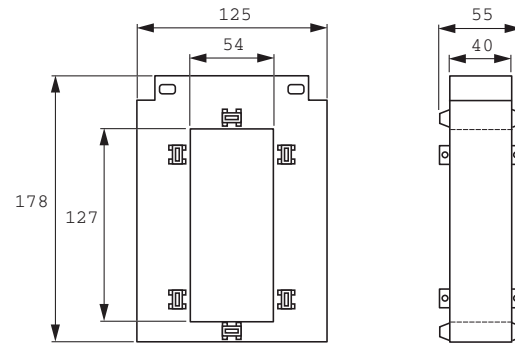
Rated secondary current	5 A
Burden	15 VA



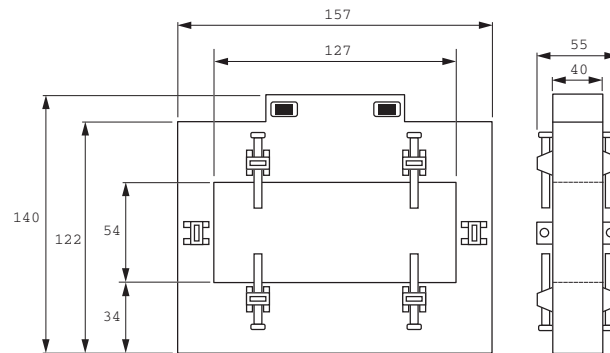
## Wiring Diagram



## Dimensions Vertical mounting (mm)



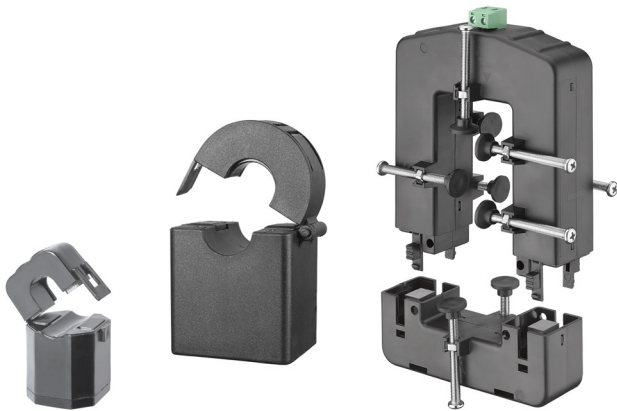
## Dimensions Horizontal mounting (mm)



# CTV



## Split core current sensor



### Benefits

- **Adaptability and flexibility.** Effective for a wide range of currents, it can be installed in existent applications.
- **Fast installation.** The opening/closing mechanism makes installation fast even in existent applications.

### Description

Split core current sensor (333 mV output) with compact dimensions, suitable for retrofit applications when used in combination with EM210 72 D MV energy analyzer.

It manages primary current from 60 A to 800 A (it depends on the model).

### Applications

CTV is the ideal solution for quick and easy installation without disconnecting cables during installation. It is indicated for any application (residential, commercial and industrial), especially for retrofitting where installing a solid core current transformer is not possible.

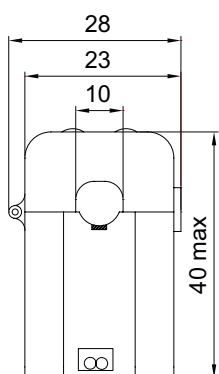
### Main features

- Suitable for retrofit applications
- 9.5 to 36 mm hole diameter
- 50 x 90 mm hole diameter (CTV-8X model only)
- Cable length: 1.5 m
- Detachable screw terminals (CTV-8X model only)
- 333mV secondary output voltage

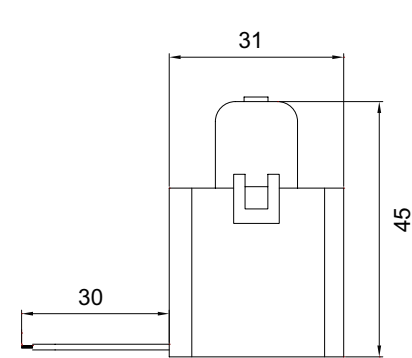
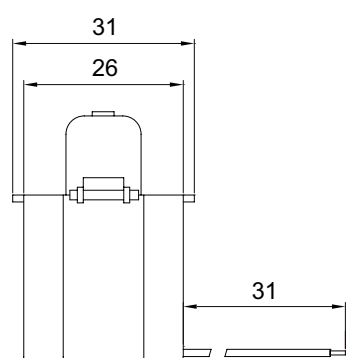
# Features

**General**

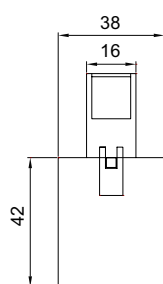
<b>Material</b>	PA66
<b>Protection degree</b>	IP20
<b>Secondary output</b>	cable, 24 AWG (0.3mm <sup>2</sup> ) Detachable screw terminals (CTV-8X)
<b>Mounting</b>	Cable Busbar (CTV-8X)
<b>Weight (g)</b>	CTV1X: 60 CTV2X: 66 CTV3X: 118 CTV4X: 200 CTV6X: 300 CTV8X: 725



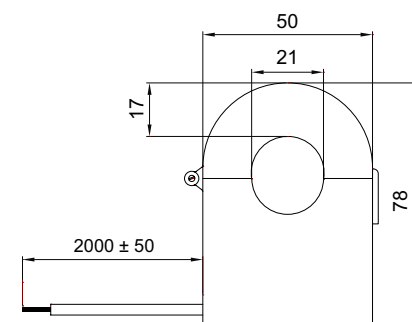
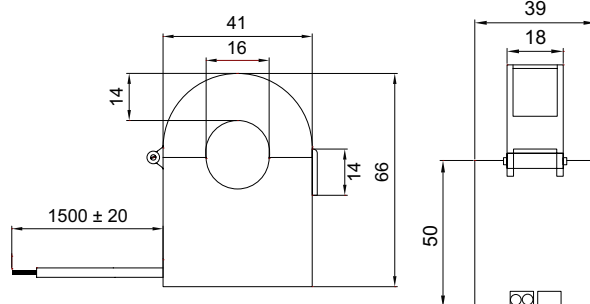
**Fig. 1 CTV-1X**



**Fig. 2 CTV-2X**



**Fig. 3 CTV-3X**



**Fig. 4 CTV-4X**

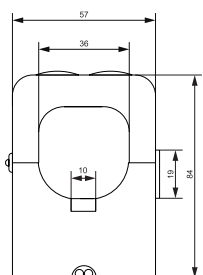


Fig. 5 CTV-6X

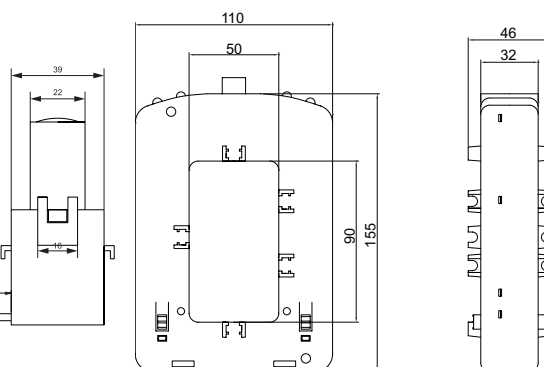


Fig. 6 CTV-8X

**Environmental specifications**

<b>Operating temperature</b>	-40° to +65°C (-40 to 149 F°)
<b>Storage temperature</b>	-45° to +80°C (-49 to 176 F°)

**UL note:** insulation class: A (105), 55 °C rise type at 30°C ambient

**Conformity**

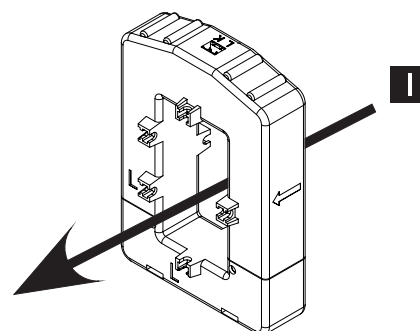
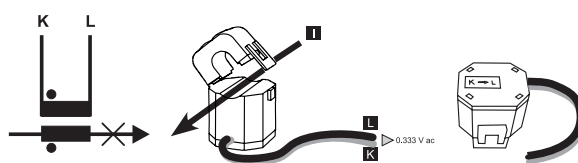
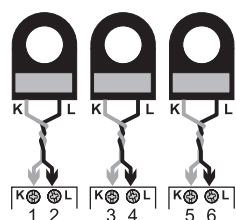
<b>Approvals</b>	
------------------	--

**Electrical specifications**

<b>Maximum current (continuous)</b>	1.2 x I <sub>n</sub>
<b>Secondary output</b>	333 mV
<b>Rated system voltage</b>	600 V ac
<b>Accuracy</b>	Class 1 according to EN 61000-4-8
<b>Winding DC resistance at 20°C</b>	CTV1X: 560 Ω max CTV2X: 384 ± 10 Ω max CTV3X: 160 Ω max CTV4X: 130 Ω max CTV6X: 90 Ω ±10%
<b>Dielectric withstand voltage (Hi-pot)</b>	CTV1X, CTV2X: 2.5k V ac/1min Other models: 3k V ac/1min

Model	Primary current (A)	Max cable diameter (mm)	Max busbar size (mm)
CTV-1X	60	10	-
CTV-2X	100	16	-
CTV-3X	200	16	-
CTV-4X	200 400	21	-
CTV-6X	400	36	-
CTV-8X	800	-	50 X 90

# Connection Diagrams



## References

 CTV  X  333MV

Enter the code, replacing the symbol  with the selected option (e.g.: CTV 1X 60A 333MV).

Code	Options	Description
C	-	-
T	-	-
V	-	-
<input type="checkbox"/>	1X 60 A 2X 100 A 3X 200 A 4X 200 A 4X 400 A 6X 400 A 8X 800 A	Model and primary current
333 mV	-	Secondary current

### Further reading

Information	Document	Where to find it
Instruction manual	Instruction manual: CTV_X	

### CARLO GAVAZZI compatible components

Purpose	Component name/code key	Notes
Measure and display consumption of connected circuits	EM210, EM271, ET272	-
Connect CTV to EM271 or to ET272	TCDMM	-

**По вопросам продаж и поддержки обращайтесь:**

Алматы (7273)495-231	Казань (843)206-01-48	Новокузнецк (3843)20-46-81	Смоленск (4812)29-41-54
Архангельск (8182)63-90-72	Калининград (4012)72-03-81	Новосибирск (383)227-86-73	Сочи (862)225-72-31
Астрахань (8512)99-46-04	Калуга (4842)92-23-67	Омск (3812)21-46-40	Ставрополь (8652)20-65-13
Барнаул (3852)73-04-60	Кемерово (3842)65-04-62	Орел (4862)44-53-42	Сургут (3462)77-98-35
Белгород (4722)40-23-64	Киров (8332)68-02-04	Оренбург (3532)37-68-04	Тверь (4822)63-31-35
Брянск (4832)59-03-52	Краснодар (861)203-40-90	Пенза (8412)22-31-16	Томск (3822)98-41-53
Владивосток (423)249-28-31	Красноярск (391)204-63-61	Пермь (342)205-81-47	Тула (4872)74-02-29
Волгоград (844)278-03-48	Курск (4712)77-13-04	Ростов-на-Дону (863)308-18-15	Тюмень (3452)66-21-18
Вологда (8172)26-41-59	Липецк (4742)52-20-81	Рязань (4912)46-61-64	Ульяновск (8422)24-23-59
Воронеж (473)204-51-73	Магнитогорск (3519)55-03-13	Самара (846)206-03-16	Уфа (347)229-48-12
Екатеринбург (343)384-55-89	Москва (495)268-04-70	Санкт-Петербург (812)309-46-40	Хабаровск (4212)92-98-04
Иваново (4932)77-34-06	Мурманск (8152)59-64-93	Саратов (845)249-38-78	Челябинск (351)202-03-61
Ижевск (3412)26-03-58	Набережные Челны (8552)20-53-41	Севастополь (8692)22-31-93	Череповец (8202)49-02-64
Иркутск (395)279-98-46	Нижний Новгород (831)429-08-12	Симферополь (3652)67-13-56	Ярославль (4852)69-52-93
Россия (495)268-04-70	Киргизия (996)312-96-26-47	Казахстан (7172)727-132	

cgo@nt-rt.ru || <https://gavazzi.nt-rt.ru/>