

ETHCONV

Технические характеристики

По вопросам продаж и поддержки обращайтесь:

Алматы (7273)495-231	Казань (843)206-01-48	Новокузнецк (3843)20-46-81	Смоленск (4812)29-41-54
Архангельск (8182)63-90-72	Калининград (4012)72-03-81	Новосибирск (383)227-86-73	Сочи (862)225-72-31
Астрахань (8512)99-46-04	Калуга (4842)92-23-67	Омск (3812)21-46-40	Ставрополь (8652)20-65-13
Барнаул (3852)73-04-60	Кемерово (3842)65-04-62	Орел (4862)44-53-42	Сургут (3462)77-98-35
Белгород (4722)40-23-64	Киров (8332)68-02-04	Оренбург (3532)37-68-04	Тверь (4822)63-31-35
Брянск (4832)59-03-52	Краснодар (861)203-40-90	Пенза (8412)22-31-16	Томск (3822)98-41-53
Владивосток (423)249-28-31	Красноярск (391)204-63-61	Пермь (342)205-81-47	Тула (4872)74-02-29
Волгоград (844)278-03-48	Курск (4712)77-13-04	Ростов-на-Дону (863)308-18-15	Тюмень (3452)66-21-18
Вологда (8172)26-41-59	Липецк (4742)52-20-81	Рязань (4912)46-61-64	Ульяновск (8422)24-23-59
Воронеж (473)204-51-73	Магнитогорск (3519)55-03-13	Самара (846)206-03-16	Уфа (347)229-48-12
Екатеринбург (343)384-55-89	Москва (495)268-04-70	Санкт-Петербург (812)309-46-40	Хабаровск (4212)92-98-04
Иваново (4932)77-34-06	Мурманск (8152)59-64-93	Саратов (845)249-38-78	Челябинск (351)202-03-61
Ижевск (3412)26-03-58	Набережные Челны (8552)20-53-41	Севастополь (8692)22-31-93	Череповец (8202)49-02-64
Иркутск (395)279-98-46	Нижний Новгород (831)429-08-12	Симферополь (3652)67-13-56	Ярославль (4852)69-52-93
Россия (495)268-04-70	Киргизия (996)312-96-26-47	Казахстан (7172)727-132	

Serial to Ethernet Converter Type ETHCONV2



- Low cost; credit card size
- Auto-detecting 10/100 Mbps Ethernet
- Built-in 15 KV ESD protection for all serial signals
- Configuration via web/Telnet/serial console
- Easy to Configure with the custom designed tool
- 1 RS-232 port and 1 Ethernet port

Product Description

The ETHCONV2 is a one channel serial to Ethernet Converter. The IP-based Ethernet unit makes it possible for your software to access serial devices local anywhere on a local LAN or Internet.

The ETHCONV2 configuration tool is designed to set up the converter to work with Dupline-online.

Ordering Key

ETHCONV2

Specifications

LAN Ethernet Protection	10/100 Mbps, RJ45 Built-in 1.5 KV magnetic isolation	Real COM/TTY Drivers	Windows 95/98/ME/NT/ 2000/XP/2003 COM driver, Linux real TTY driver, Unix Fixed TTY driver
Serial No. of ports RS-232 Signals	1 RS-232 port TxD, RxD, RTS, CTS, DTR, DSR, DCD, GND	Configuration	Web browser, serial/Telnet console, or Windows utility
Serial Line Protection	15 KV ESD for all signals	Power Requirements Power input Power consumption Power Line protection	9-30 VDC 165 mA@12V, 95 mA@24V 4 KV Burst (EFT), EN61000- 4-4 2 KV Surge, EN61000-4-5
Serial Communication Parameters Parity	None, Even, Odd, Space, Mark	Mechanical Specifications Material	Aluminum (1 mm)
Data bits	5, 6, 7, 8	Environmental Operating Temperature	0 to 55°C (32 to 131°F), 5 to 95% RH
Stop bits	1, 1.5, 2	Storage Temperature	-20 to 85°C (-4 to 185°F), 5 to 95% RH
Flow control	RTS/CTS, XON/XOFF	Regulatory Approvals EMC Safety	FCC Class A, CE Class A UL, CUL, TÜV
Speed	100 bps to 230.4 Kbps		
Console Ports	RS-232 console		
Software Features Protocols	ICM, IP, TCP, UDP, DHCP, BootP, Telnet, DNS, SNMP, HTTP, SMTP		
Utilities	NPort Administrator Suite for Windows 95/98/ME/NT/ 2000/XP/2003		

Mode of Operation

ETHCONV2 serial device server provides TCP Server, TCP Client, UDP Server/Client, Pair Connection, and Ethernet Modem, ensuring the compatibility of network software that uses a standard network API (Winsock, BSD Sockets).

Thanks to ETHCONV2's Real COM/TTY drivers, software that works with COM/TTY ports can now work on a TCP/IP network in no time. This excellent feature preserves your software investment and lets you enjoy the benefits of networking your serial devices instantly.

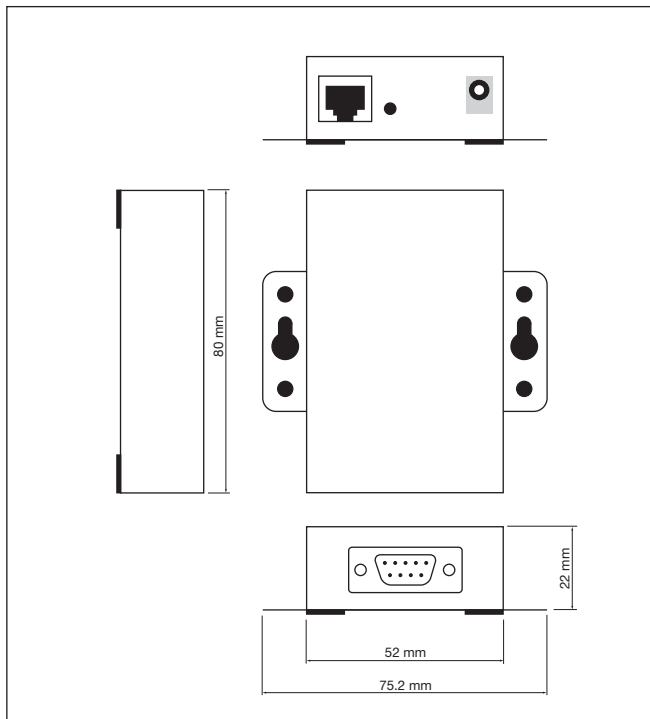
ETHCONV2 serial device server supports automatic IP configuration protocols (DHCP, BootP) and manual configuration through the web console, Telnet console, serial console, and

Utility. All methods ensure quick and effective installation. And with Windows Utility, your installation job becomes more pleasant than ever, since all system parameters can be stored and copied to many other device servers.

By using the special designed Moxa NPort configuration tool for Dupline-online the user is able to set up/adjust the ETHCONV2 unit quickly and easily.

Use the installation manual for Dupline-online for further information.

Dimensions (mm)



Wiring Diagram

Male DB9 RS-232 port

PIN	RS-232
1	DCD
2	RxD
3	TxD
4	DTR
5	GND
6	DSR
7	RTS
8	CTS

RJ45

● Reset button

When reset button is held more than 3 sec. the converter returns to default settings.

Delivery Contents

- ETHCONV2 1-port Serial Device server
- Switching power adapter
- DK-35A: DIN-rail Mounting kit (35 mm)

Serial to Ethernet Converter Type ETHCONV3



- Low cost; credit card size
- Auto-detecting 10/100 Mbps Ethernet
- Built-in 15 KV ESD protection for all serial signals
- Configuration via web/Telnet/serial console
- Easy to Configure with the costume designed tool
- 2 x RS-232 port and 2 x Ethernet port

Product Description

The ETHCONV3 is a two channel serial to Ethernet Converter. The IP-based Ethernet unit makes it possible for your software to access serial devices local anywhere on a local LAN or Internet.

The ETHCONV3 configuration tool is designed to set up the converter to work with Dupline-online.

Ordering Key

ETHCONV3

Specifications

LAN Ethernet Protection	10/100 Mbps, RJ45 Built-in 1.5 KV magnetic isolation	Real COM/TTY Drivers	Windows 95/98/ME/NT/ 2000/XP/2003 COM driver, Linux real TTY driver, Unix Fixed TTY driver
Serial No. of ports RS-232 Signals Serial Line Protection	2 x RS-232 port TxD, RxD, RTS, CTS, DTR, DSR, DCD, GND 15 KV ESD for all signals	Configuration	Web browser, serial/Telnet console, or Windows utility
Serial Communication Parameters Parity Data bits Stop bits Flow control Speed	None, Even, Odd, Space, Mark 5, 6, 7, 8 1, 1.5, 2 RTS/CTS, XON/XOFF 50 bps to 230.4 Kbps	Power Requirements Power input Power consumption Power Line protection	9-30 VDC 305 mA@12V 4 KV Burst (EFT), EN61000- 4-4 2 KV Surge, EN61000-4-5
Console Ports	RS-232 console	Mechanical Specifications Weight Material	135 g Aluminum (1 mm)
Software Features Protocols Utilities	ICM, IP, TCP, UDP, DHCP, BootP, Telnet, DNS, SNMP, HTTP, SMTP NPort Administrator Suite for Windows 95/98/ME/NT/ 2000/XP/2003	Environmental Operating Temperature Storage Temperature	0 to 55°C (32 to 131°F), 5 to 95% RH -20 to 85°C (-4 to 185°F), 5 to 95% RH
		Regulatory Approvals EMC Safety	FCC Class A, CE Class A UL, CUL, TÜV

Mode of Operation

ETHCONV3 serial device server provides TCP Server, TCP Client, UDP Server/Client, Pair Connection, and Ethernet Modem, ensuring the compatibility of network software that uses a standard network API (Winsock, BSD Sockets).

Thanks to ETHCONV3's Real COM/TTY drivers, software that works with COM/TTY ports can now work on a TCP/IP network in no time. This excellent feature preserves your software investment and lets you enjoy the benefits of networking your serial devices instantly.

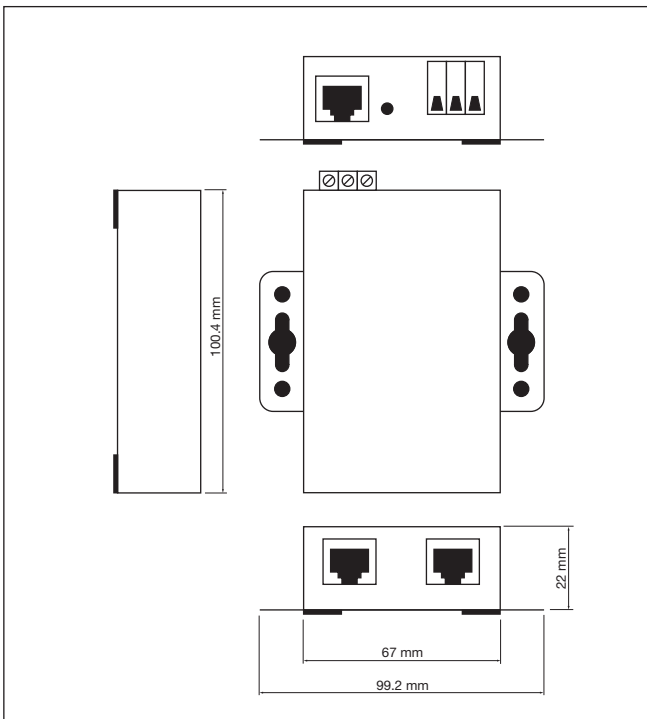
ETHCONV3 serial device server supports automatic IP configuration protocols (DHCP, BootP) and manual configuration through the web console, Telnet console, serial console, and

Utility. All methods ensure quick and effective installation. And with Windows Utility, your installation job becomes more pleasant than ever, since all system parameters can be stored and copied to many other device servers.

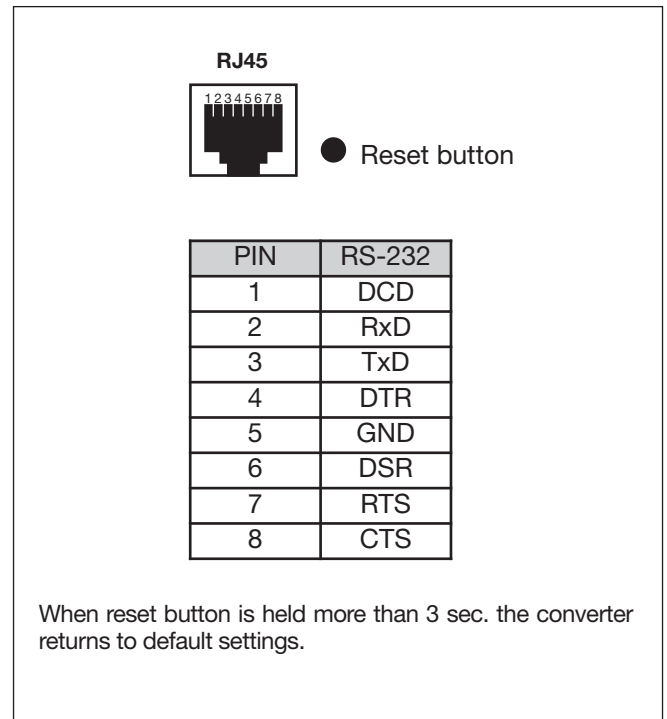
By using the special designed Moxa NPort configuration tool for Dupline-online the user is able to set up/adjust the ETHCONV3 unit quickly and easily.

Use the installation manual for Dupline-online for further information.

Dimensions (mm)



Wiring Diagram



Delivery Contents

- ETHCONV3 2-port Serial Device server
- Switching power adapter
- Power Jack to Terminal Block Cable
- Power Cord
- CBL-RJ45M9-150 x 2
- DK-35A: DIN-rail Mounting kit (35 mm)

Dupline® Serial to Ethernet Converter Type ETHCONV4

CARLO GAVAZZI



- Auto-detecting 10/100 Mbps Ethernet
- Built-in 15 KV ESD protection for all serial signals
- Configuration via web/Telnet/serial console
- Easy to Configure with the costume designed tool, see website: www.car-park.dk
- 2 x RS-485 port and 2 x Ethernet port
- Supports TCP server, TCP client and UDP

Product Description

The ETHCONV4 is a two channel serial-to-Ethernet Converter. The IP-based Ethernet unit makes it possible for the Carpark software to access local serial devices anywhere on a local LAN or Internet.

The ETHCONV4 configuration tool is designed to set up the converter to work with the Carpark software. The tool can be downloaded from the website:

www.car-park.dk

Ordering Key

ETHCONV4

Specifications

LAN Ethernet Protection	10/100 Mbps, RJ45 Built-in 1.5 KV magnetic isolation	Fixed TTY Drivers	SCO Unix, SCO OpenServer, UnixWare 7, UnixWare 2.1, SVR 4.2, QNX 4.25, QNX 6, Solaris 10, FreeBSD, AIX 5.x, HP-UX 11i
Serial No. of ports RS-485 Signals Serial Line Protection	2 x RS-485 port DATA+, DATA-, GND 15 KV ESD for all signals	Linux Real TTY Drivers	Linux kernel 2.4.x, 2.6.x
Serial Communication Parameters Parity	None, Even, Odd, Space, Mark	Power Requirements Power input Power consumption Power Line protection	12-48 VDC 440 mA@12V 4 KV Burst (EFT), EN61000-4-4 2 KV Surge, EN6100-4-5
Data bits Stop bits Flow control Speed	5, 6, 7, 8 1, 1.5, 2 RTS/CTS, XON/XOFF 110 bps to 230.4 Kbps	Mechanical Specifications Housing Weight	Plastic, IP30 protection NPort IA5150: 360 g NPort IA5250: 380 g 29 x 89.2 x 118.5 mm
Console Ports	RS-485 console	Dimensions	
Software Features Protocols	ICM, IP, TCP, UDP, DHCP, BootP, Telnet, DNS, SNMP, HTTP, SMTP, SNTIP, V1	Environment Operating Temperature Standard Models Wide Temp. Models Storage Temperature Ambient Relative Humidity	0 to 55°C (32 to 131°F) -40 to 75°C (-40 to 167°F) -40 to 85°C (-40 to 185°F) 5 to 95% (non-condensing)
Utilities	NPort Administrator Suite for Windows 95/98/ME/NT/2000/XP/2003/Vista/Windows 7 32 bit	Regulatory Approvals Safety	UL 508, UL 60950-1, EN 60950-1
Real COM/TTY Drivers	Windows 95/98/ME/NT/2000, Windows XP/2003/Vista/2008/7 x86/x64, Embedded CE 5.0/6.0, XP Embedded	Hazardous locations	UL/cUL Class I Division 2 Groups A/B/C/D, ATEX Zone 2
		EMC EMI	CE, FCC EN 55022 Class A, FCC Part 15 Subpart B Class A

Specifications (cont.)

EMS	EN 55024, EN 61000-4-2 (ESD) Level 3, EN 61000-4-3 (RS) Level 3, EN 61000-4-4 (EFT) Level 4, EN 61000-4-5 (Surge) Level 3, EN 61000-4-6 (CS) Level 3, EN 61000-4-8, EN 61000-4-11 DNV	Shock Freefall Vibration	IEC 60068-2-27 IEC 60068-2-32 IEC 60068-2-6
Marine		Reliability Water and Dust Proof Alert Tools Automatic Reboot Trigger	IP30 Built-in buzzer and RTC (real-time clock) Built-in WDT (watchdog timer)

Mode of Operation

The ETHCONV4 serial device server provides TCP Server, TCP Client, UDP Server/Client, Pair Connection, and Ethernet Modem, ensuring the compatibility of network software that uses a standard network API (Winsock, BSD Sockets).

Thanks to ETHCONV4's Real COM/TTY drivers, software that works with COM/TTY ports are now able to work on a TCP/IP network in no time. This excellent feature preserves your software investment and lets you enjoy the benefits of networking your serial devices instantly.

The ETHCONV4 serial device server supports automatic IP configuration protocols (DHCP, BootP) and manual configuration through the web console, Telnet console, serial console, and Utility. All methods ensure a quick and effective installation. And with Windows Utility, your installation job becomes more pleasant than ever, since all system parameters can be stored and copied to many other device servers.

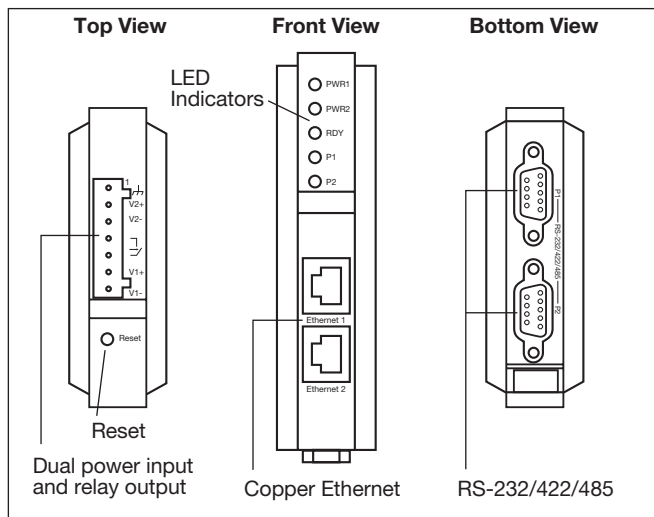
By using the specially designed Moxa NPort configuration tool for the Carpark software, the user is able to set up/adjust the ETHCONV4 unit quickly and easily. The configuration tool can be downloaded from: www.car-park.dk.

Use the installation manual for Carpark for further information.

Reset Button - Press the Reset button continuously for 5 sec to load factory defaults: Use a pointed object, such as a straightened paper clip or toothpick, to press the reset button. This will cause the Ready LED to blink on and off. The factory defaults will be loaded once the Ready LED stops blinking (after about 5 seconds). At this point, you should release the reset button.

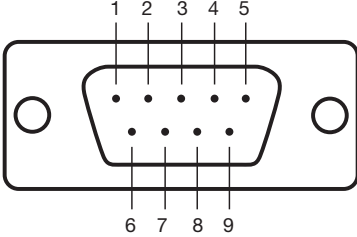
NPort IA LED Indicators (Front Panel)

Name	Colour	Function
PWR1, PWR2	Red	Power is being supplied to power input PWR1, PWR2
Ready	Red	Steady on: Power is on and NPort IA is booting up. Flashing: Indicates an IP conflict, the DHCP or BOOTP server did not respond properly, or a relay output alert occurred.
	Green	Steady on: Power is on and NPort IA is functioning normally. Flashing: The device server has been located by Administrator's Location function.
	Off	Power is off, or a power error condition exists.
Ethernet	Orange	10 Mbps Ethernet connection.
	Green	100 Mbps Ethernet connection.
	Off	Ethernet cable is disconnected, or has a short.
P1, P2	Orange	Serial port is receiving data.
	Green	Serial port is transmitting data.
	Off	No data is being transmitted or received through the serial port.



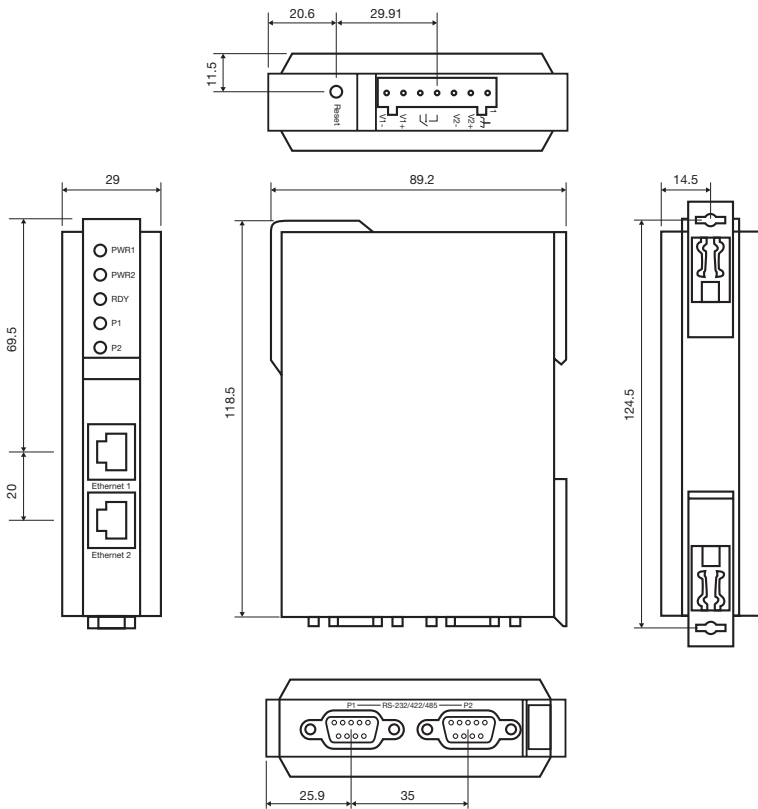
Wiring Diagram

**RS-232/422/785
DB9 male port**



PIN	RS-232	RS-422/RS-485-4W	RS-485-2W
1	DCD	TxD- (A)	-
2	RxD	TxD+ (B)	-
3	TxD	RxD+ (B)	Data+ (B)
4	DTR	RxD- (A)	Data- (A)
5	GND	GND	GND
6	DSR	-	-
7	RTS	-	-
8	CTS	-	-

Dimensions (mm)



Technical drawings of the ETHCONV4 device showing dimensions in millimeters:

- Top View:** Shows a DB9 male port with dimensions 20.6 mm (port width) and 29.91 mm (port offset).
- Front View:** Shows the device with dimensions 69.5 mm (height), 29 mm (width), and 20 mm (Ethernet port offset).
- Side View:** Shows the device with dimensions 118.5 mm (height) and 89.2 mm (width).
- Bottom View:** Shows the device with dimensions 25.9 mm (port offset) and 35 mm (port width).
- Right Side View:** Shows the device with dimensions 124.5 mm (height) and 14.5 mm (width).

Delivery Contents

- ETHCONV4 2-port Serial Device server
- Documentation and software CD
- ETHCONV4 quick installation guide
- Warranty card

По вопросам продаж и поддержки обращайтесь:

Алматы (7273)495-231	Казань (843)206-01-48	Новокузнецк (3843)20-46-81	Смоленск (4812)29-41-54
Архангельск (8182)63-90-72	Калининград (4012)72-03-81	Новосибирск (383)227-86-73	Сочи (862)225-72-31
Астрахань (8512)99-46-04	Калуга (4842)92-23-67	Омск (3812)21-46-40	Ставрополь (8652)20-65-13
Барнаул (3852)73-04-60	Кемерово (3842)65-04-62	Орел (4862)44-53-42	Сургут (3462)77-98-35
Белгород (4722)40-23-64	Киров (8332)68-02-04	Оренбург (3532)37-68-04	Тверь (4822)63-31-35
Брянск (4832)59-03-52	Краснодар (861)203-40-90	Пенза (8412)22-31-16	Томск (3822)98-41-53
Владивосток (423)249-28-31	Красноярск (391)204-63-61	Пермь (342)205-81-47	Тула (4872)74-02-29
Волгоград (844)278-03-48	Курск (4712)77-13-04	Ростов-на-Дону (863)308-18-15	Тюмень (3452)66-21-18
Вологда (8172)26-41-59	Липецк (4742)52-20-81	Рязань (4912)46-61-64	Ульяновск (8422)24-23-59
Воронеж (473)204-51-73	Магнитогорск (3519)55-03-13	Самара (846)206-03-16	Уфа (347)229-48-12
Екатеринбург (343)384-55-89	Москва (495)268-04-70	Санкт-Петербург (812)309-46-40	Хабаровск (4212)92-98-04
Иваново (4932)77-34-06	Мурманск (8152)59-64-93	Саратов (845)249-38-78	Челябинск (351)202-03-61
Ижевск (3412)26-03-58	Набережные Челны (8552)20-53-41	Севастополь (8692)22-31-93	Череповец (8202)49-02-64
Иркутск (395)279-98-46	Нижний Новгород (831)429-08-12	Симферополь (3652)67-13-56	Ярославль (4852)69-52-93
Россия (495)268-04-70	Киргизия (996)312-96-26-47	Казахстан (7172)727-132	

cgo@nt-rt.ru || <https://gavazzi.nt-rt.ru/>