

FSA, FKA

Технические характеристики

По вопросам продаж и поддержки обращайтесь:

Алматы (7273)495-231	Казань (843)206-01-48	Новокузнецк (3843)20-46-81	Смоленск (4812)29-41-54
Архангельск (8182)63-90-72	Калининград (4012)72-03-81	Новосибирск (383)227-86-73	Сочи (862)225-72-31
Астрахань (8512)99-46-04	Калуга (4842)92-23-67	Омск (3812)21-46-40	Ставрополь (8652)20-65-13
Барнаул (3852)73-04-60	Кемерово (3842)65-04-62	Орел (4862)44-53-42	Сургут (3462)77-98-35
Белгород (4722)40-23-64	Киров (8332)68-02-04	Оренбург (3532)37-68-04	Тверь (4822)63-31-35
Брянск (4832)59-03-52	Краснодар (861)203-40-90	Пенза (8412)22-31-16	Томск (3822)98-41-53
Владивосток (423)249-28-31	Красноярск (391)204-63-61	Пермь (342)205-81-47	Тула (4872)74-02-29
Волгоград (844)278-03-48	Курск (4712)77-13-04	Ростов-на-Дону (863)308-18-15	Тюмень (3452)66-21-18
Вологда (8172)26-41-59	Липецк (4742)52-20-81	Рязань (4912)46-61-64	Ульяновск (8422)24-23-59
Воронеж (473)204-51-73	Магнитогорск (3519)55-03-13	Самара (846)206-03-16	Уфа (347)229-48-12
Екатеринбург (343)384-55-89	Москва (495)268-04-70	Санкт-Петербург (812)309-46-40	Хабаровск (4212)92-98-04
Иваново (4932)77-34-06	Мурманск (8152)59-64-93	Саратов (845)249-38-78	Челябинск (351)202-03-61
Ижевск (3412)26-03-58	Набережные Челны (8552)20-53-41	Севастополь (8692)22-31-93	Череповец (8202)49-02-64
Иркутск (395)279-98-46	Нижний Новгород (831)429-08-12	Симферополь (3652)67-13-56	Ярославль (4852)69-52-93
Россия (495)268-04-70	Киргизия (996)312-96-26-47	Казахстан (7172)727-132	

Counters

24 x 48 digital counters

Types FKA



- 8 digit LCD display
- 8mm digits
- Reset button with locking function
- 8 years battery lifetime
- Up-down counting mode (through electrical control)
- For front panel mounting
- 24 x 48mm housing
- Filter function for bounce-free counting with mechanical contacts

Product Description

24x48mm up to 2 inputs up-down counters for flush mounting. NPN, PNP or voltage inputs allow connection to any type of sensors or open collector output. The front key, which can be locked, allows fast and easy counting reset.

Ordering Key

FKA 01 A12 8 5 0

Model _____
 Input mode _____
 Housing _____
 Number of digit _____
 Backlight 5= no
 6= yes

Input type _____
 Stock items: FKA01A12850
 FKA01A12852
 FKA01A12853

Approvals



Input Modes

Input Mode	Operating Mode	Counting Inputs					
		Input A			Input B		
01	Count	0...0.7VDC	NPN	7kHz	0...0.7VDC	NPN	30Hz
01		4...30VDC	PNP	12kHz	0...0.7VDC	NPN	
01		10... 260V	AC/DC	30Hz	10...260V	AC/DC	-
02	Count direction up/down	0...0.7VDC	NPN	7kHz	0...0.7VDC	NPN	7kHz
02		4...30VDC	PNP	12kHz	4...30VDC	PNP	12kHz
02	up / down	10... 260V	AC/DC	30Hz	10... 260V	AC/DC	30Hz
03	Count direction	10... 260V	AC/DC	30Hz	10... 260V	AC/DC	30Hz
04	Quad / Quad2	0...0.7VDC	NPN	3kHz	0...0.7VDC	NPN	3kHz
04		4... 30VDC	PNP	6kHz	4...30VDC	PNP	6kHz

Input Type

Input Type	Input A			Input B		
	Value	Polarity	Max. Freq.	Value	Polarity	Max. Freq.
0	0...0.7VDC	NPN	7kHz	0...0.7VDC	NPN	30Hz
1 ¹	4...30VDC	PNP	12kHz	4...30VDC	PNP	12Hz
2 ²	4...30VDC	PNP	12kHz	0...0.7VDC	NPN	30Hz
3	10...26VAC/DC	AC/DC	30Hz	10...260VAC/DC	AC/DC	Reset

1: Only used for input mode 02 and 04
 2: Only used for input mode 01

DC Input Operating Modes

Count	Input A Input B	Fast counting input Slow counting input
Counting direction	Input A Input B	Counting input Counting direction input
Up/Down	Input A Input B	Adding counting input Subtracting counting input
Quad (phase discriminator)	Input A Input B	0° counting input 90° counting input
Quad (phase discriminator with pulse doubling)	Input A Input B	0° counting input 90° counting input

AC Input Operating Modes

Count	Input A Input B	AC/DC counting input AC/DC reset input
Counting direction	Input A Input B	Counting direction input Counting input
Up/Down (phase discriminator)	Input A Input B	AC/DC subtracting counting input AC/DC adding counting input

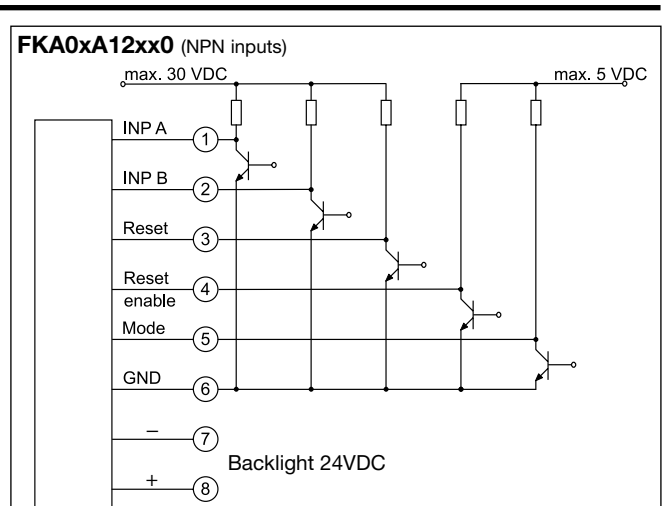
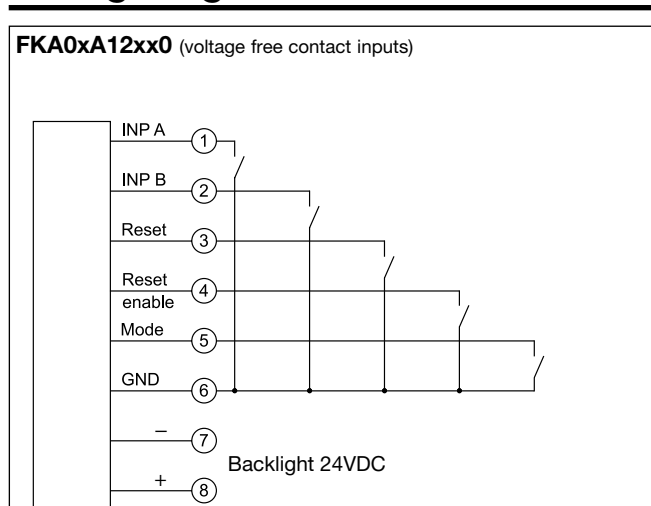
General Specifications

Power supply	Non-replaceable lithium battery (lifetime up to 8 years at 20°C)
Display	-9999999 to 99999999 with overflow display
Housing	24x48mm (0.94"x1.89") (acc. to DIN43700)
Colour	RAL 7021
Backlight consumption	24VDC ±50mA
Weight	50g (1.76oz)
Screw terminals	
Tightening torque	Max 0.5Nm acc. to IEC EN 60947
Connection wires	0.4...2.3mm single wire AWG28...AWG12
Environment (acc. to EN 60529)	
Degree of protection	IP 65 front
Pollution degree	2
Operating temperature	-10...+55°C (14...131°F), R.H.<85%
Storage temperature	-20...+70°C (-4...158°F)
Low voltage directive (Input type 3 only)	Overvoltage category II contamination cat. 2 (acc. to EN 61010 Part 1)
EMC Electromagnetic compatibility	
emitted:	Acc. to EN55011 class B
immunity:	Acc. to EN61000-6-2

Package Content

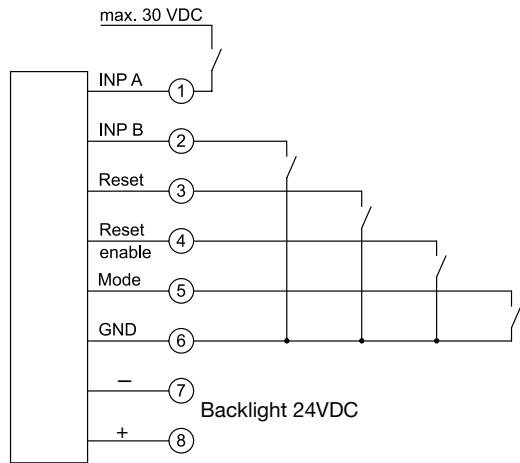
1	Instrument FKA
1	Panel mounting clip
1	Bezel for screw mounting (56x40mm/2.205x1.575"), panel cut-out (50x25mm/1.969x0.984)
1	Bezel for clip mounting (53x28mm/2.087x1.103"), panel cut-out (50x25mm/1.969x0.984)
1	Seal
1	Multilingual operating manual

Wiring Diagram

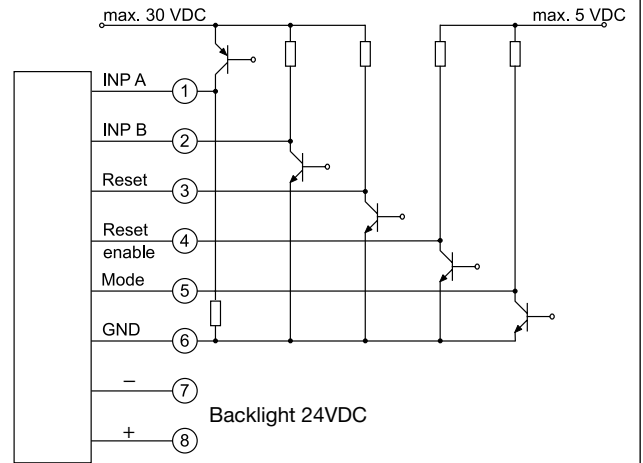


Wiring Diagram (cont.)

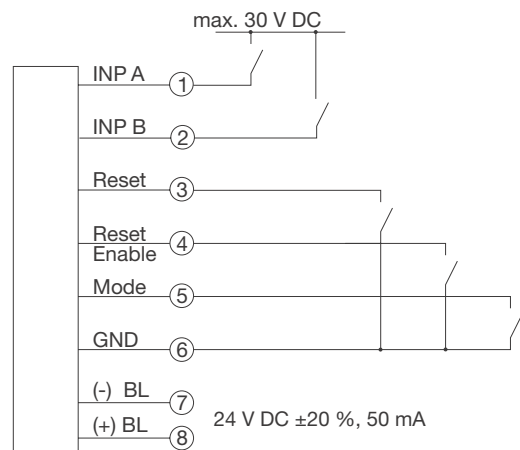
FKA01A12xx2 (voltage free contact inputs, except for INP A)



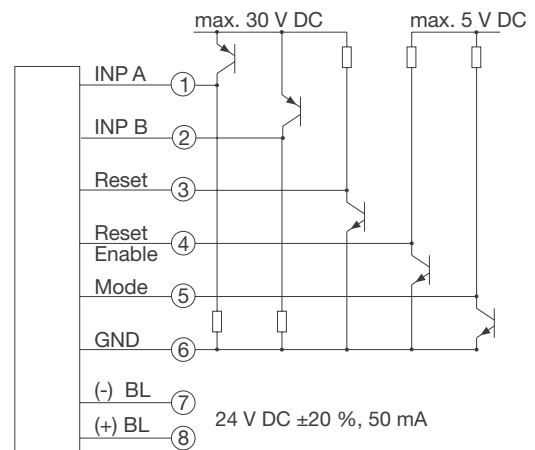
FKA01A12xx2 (NPN inputs, except for INP A (PNP))



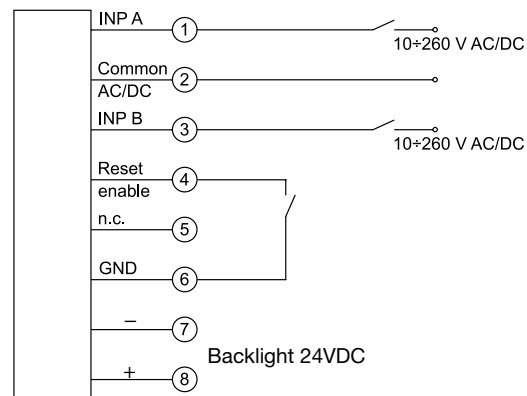
FKA02A12xx1 + FKA04A12xx1



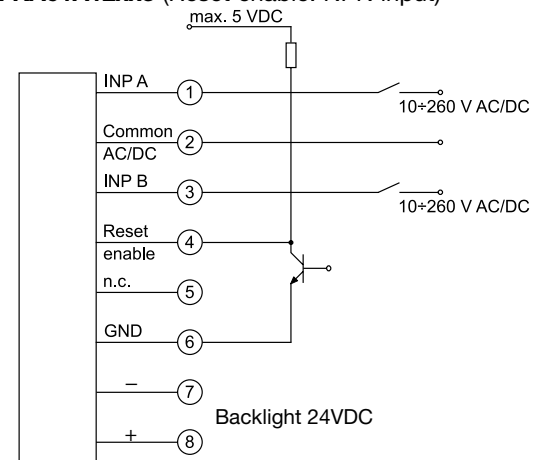
FKA02A12xx1 + FKA04A12xx1



FKA01A12xx3 (Reset enable: voltage free contact input)



FKA01A12xx3 (Reset enable: NPN input)



Hour meter

24 x 48 digital hours meters

Type FSA

CARLO GAVAZZI



FSA

- 8 digit LCD display
- 8mm digits
- Reset button with locking function
- 8 years battery lifetime
- Electrical or manual reset input
- Setting time mode (through electrical control)
- For front panel mounting
- 24x48mm housing

Product Description

24x48mm hour meters for flush mounting. 10 to 260 V AC or DC input. The front key, which can be locked, allows fast and easy input reset. NPN input to set the time range (Mode) and to enable the device reset.

Ordering Key

FSA 01 A12 85 0

Type _____
 Time range _____
 Housing _____
 Backlight _____
 Input type _____

Stock items: FSA01A12850 FSA01A12853
 FSA02A12850 FSA02A12853

Approvals



Backlight

85	Without backlight
86	With backlight

General Data

Display	8 digits LED type
Dimensions of digits	H 8mm/0.31"
Viewing angle	frontal
Colour of digit figures	X
Power supply	Non-replaceable lithium battery (lifetime up to 8 years at 20°C)
Backlight consumption	24VDC ±20% 5mA
Operating temperature	-10...+55°C/14...151°F
Storage temperature	-20...+70°C/-4...158°F
Mounting position	Panel mounting
Housing colour	RAL7021 (grey)
Dimensions LxH	24x48 acc. to DIN 43700 STD
Weight	50g/1.76oz
Panel cut-out LxH	22.2 ^{+0.3} x45 ^{+0.6} mm/0.87 ^{+0.01} x1.77 ^{+0.027}
Protection degree	IP65 (front)
Pollution degree	2
EMC	acc. to directive 89/36/ENG
emitted:	EN61000-6-3, EN550011 class B
immunity:	EN61000-6-2 EN61010 (AC version only)

Time Range

01	99999h 59m / 99999.99h
02	9999h 59m / 9999999.9s

Input Type

	Type A	Type B
0	-	0÷0.7VDC NPN
1	-	4÷30VDC PNP
3	10÷260VAC/DC	10÷260VAC/DC

Measuring Specifications

Time range	FSA01 FSA02	99999h 59m / 99999.99h 9999h 59m / 9999999.9s
Counting system		adding
Counting system		programmable
Reset	Manual Electrical Pulse time	front push button rear input type0/1: <50ms type2: <16ms
Reset key locking	N.C. / High low level	locked active

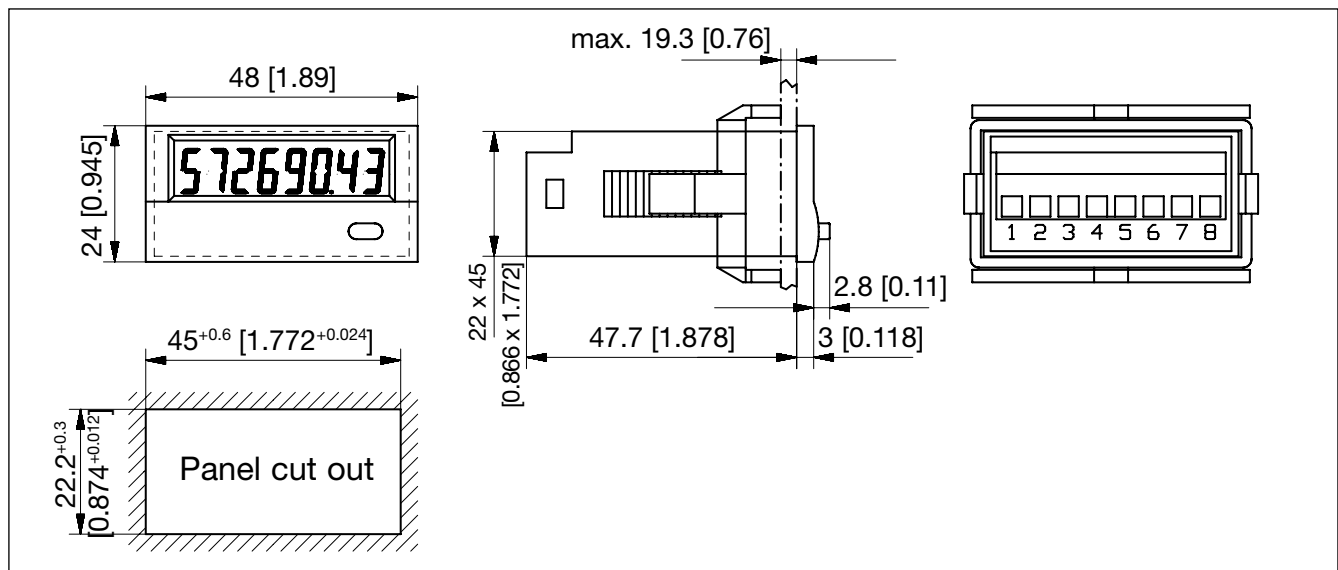
Input Specifications

Voltage range	0÷30VDC (types 1 and 2) 0÷260VAC/DC (type 3)
Switching level	
Type 0	Low: 0÷0.7V High: 3÷30V
Type 1	Low: 0÷0.7V High: 4÷30V
Type 3	Low: 0÷2V High: 10÷260AC/DC

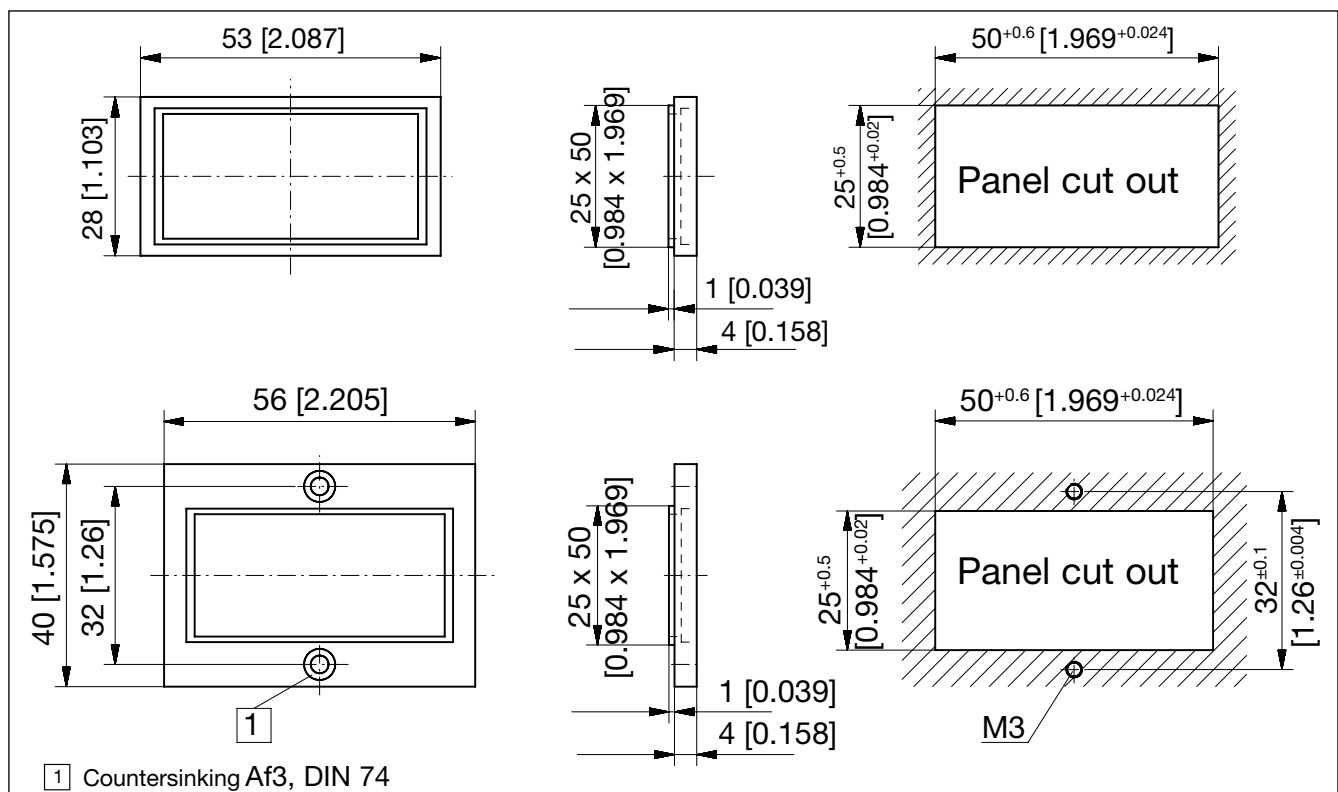
Package Content

1	Instrument FSA
1	Panel mounting clip
1	Bezel for screw mounting (56x40mm/2.205x1.575"), panel cut-out (50x25mm/1.969x0.984)
1	Bezel for clip mounting (53x28mm/2.087x1.103"), panel cut-out (50x25mm/1.969x0.984)
1	Gasket
1	Multilingual operating manual

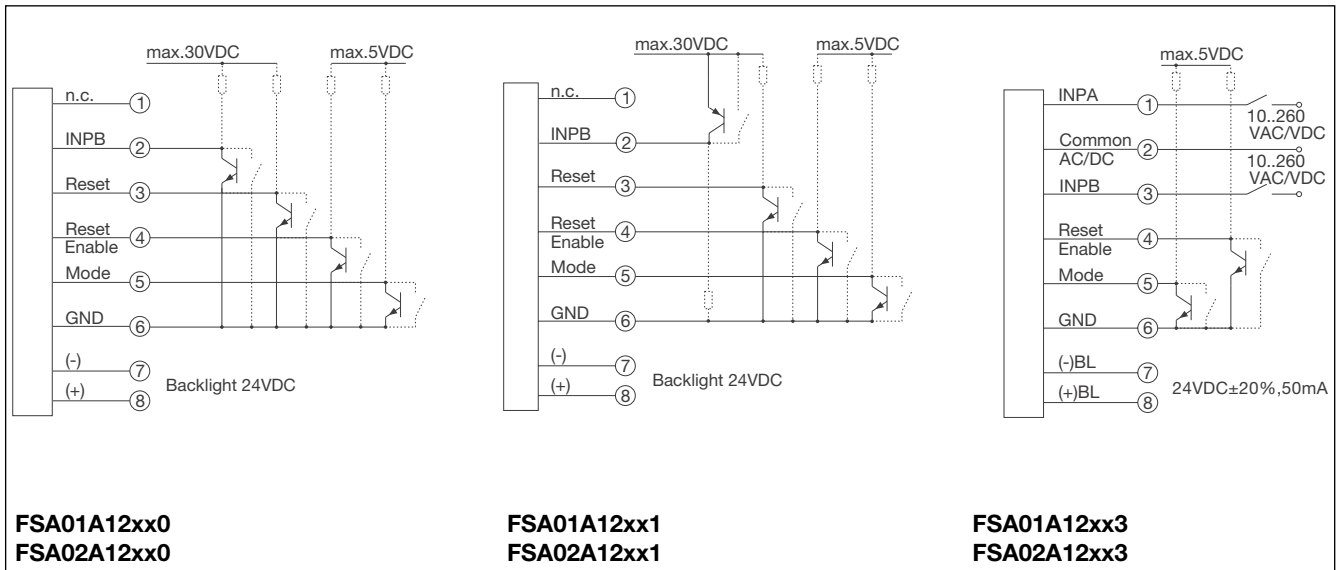
Dimensions (mm/inches)



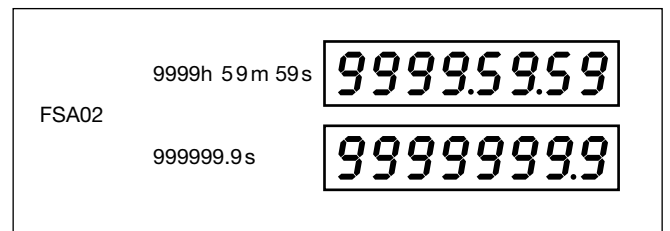
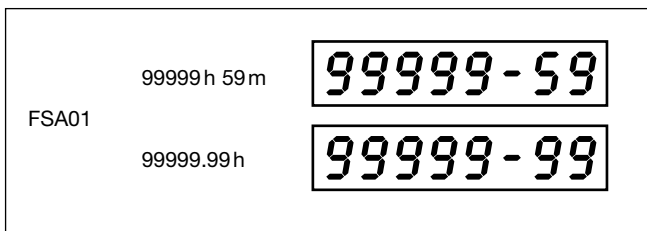
Bezel Dimensions (mm/inches)



Connections



Display



По вопросам продаж и поддержки обращайтесь:

Алматы (7273)495-231	Казань (843)206-01-48	Новокузнецк (3843)20-46-81	Смоленск (4812)29-41-54
Архангельск (8182)63-90-72	Калининград (4012)72-03-81	Новосибирск (383)227-86-73	Сочи (862)225-72-31
Астрахань (8512)99-46-04	Калуга (4842)92-23-67	Омск (3812)21-46-40	Ставрополь (8652)20-65-13
Барнаул (3852)73-04-60	Кемерово (3842)65-04-62	Орел (4862)44-53-42	Сургут (3462)77-98-35
Белгород (4722)40-23-64	Киров (8332)68-02-04	Оренбург (3532)37-68-04	Тверь (4822)63-31-35
Брянск (4832)59-03-52	Краснодар (861)203-40-90	Пенза (8412)22-31-16	Томск (3822)98-41-53
Владивосток (423)249-28-31	Красноярск (391)204-63-61	Пермь (342)205-81-47	Тула (4872)74-02-29
Волгоград (844)278-03-48	Курск (4712)77-13-04	Ростов-на-Дону (863)308-18-15	Тюмень (3452)66-21-18
Вологда (8172)26-41-59	Липецк (4742)52-20-81	Рязань (4912)46-61-64	Ульяновск (8422)24-23-59
Воронеж (473)204-51-73	Магнитогорск (3519)55-03-13	Самара (846)206-03-16	Уфа (347)229-48-12
Екатеринбург (343)384-55-89	Москва (495)268-04-70	Санкт-Петербург (812)309-46-40	Хабаровск (4212)92-98-04
Иваново (4932)77-34-06	Мурманск (8152)59-64-93	Саратов (845)249-38-78	Челябинск (351)202-03-61
Ижевск (3412)26-03-58	Набережные Челны (8552)20-53-41	Севастополь (8692)22-31-93	Череповец (8202)49-02-64
Иркутск (395)279-98-46	Нижний Новгород (831)429-08-12	Симферополь (3652)67-13-56	Ярославль (4852)69-52-93
Россия (495)268-04-70	Киргизия (996)312-96-26-47	Казахстан (7172)727-132	

cgo@nt-rt.ru || <https://gavazzi.nt-rt.ru/>