

GTD

Технические характеристики

По вопросам продаж и поддержки обращайтесь:

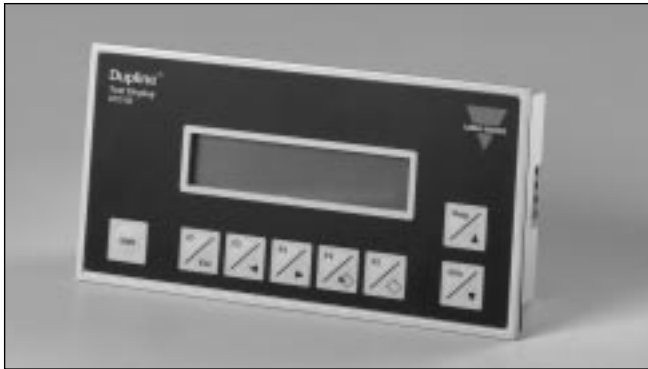
Алматы (7273)495-231
Архангельск (8182)63-90-72
Астрахань (8512)99-46-04
Барнаул (3852)73-04-60
Белгород (4722)40-23-64
Брянск (4832)59-03-52
Владивосток (423)249-28-31
Волгоград (844)278-03-48
Вологда (8172)26-41-59
Воронеж (473)204-51-73
Екатеринбург (343)384-55-89
Иваново (4932)77-34-06
Ижевск (3412)26-03-58
Иркутск (395)279-98-46
Россия (495)268-04-70

Казань (843)206-01-48
Калининград (4012)72-03-81
Калуга (4842)92-23-67
Кемерово (3842)65-04-62
Киров (8332)68-02-04
Краснодар (861)203-40-90
Красноярск (391)204-63-61
Курск (4712)77-13-04
Липецк (4742)52-20-81
Магнитогорск (3519)55-03-13
Москва (495)268-04-70
Мурманск (8152)59-64-93
Набережные Челны (8552)20-53-41
Нижний Новгород (831)429-08-12
Киргизия (996)312-96-26-47

Новокузнецк (3843)20-46-81
Новосибирск (383)227-86-73
Омск (3812)21-46-40
Орел (4862)44-53-42
Оренбург (3532)37-68-04
Пенза (8412)22-31-16
Пермь (342)205-81-47
Ростов-на-Дону (863)308-18-15
Рязань (4912)46-61-64
Самара (846)206-03-16
Санкт-Петербург (812)309-46-40
Саратов (845)249-38-78
Севастополь (8692)22-31-93
Симферополь (3652)67-13-56
Казахстан (7172)727-132

Смоленск (4812)29-41-54
Сочи (862)225-72-31
Ставрополь (8652)20-65-13
Сургут (3462)77-98-35
Тверь (4822)63-31-35
Томск (3822)98-41-53
Тула (4872)74-02-29
Тюмень (3452)66-21-18
Ульяновск (8422)24-23-59
Уфа (347)229-48-12
Хабаровск (4212)92-98-04
Челябинск (351)202-03-61
Череповец (8202)49-02-64
Ярославль (4852)69-52-93

Dupline® Text Display Type GTD 50



- Programmable display
- LCD backlit with LEDs
- 20 characters x 2 rows
- Customizable function keys
- Displaying of alarm messages
- Dynamic texts
- Digital and analog (Analink, 8-bit) inputs
- Activating of Dupline® outputs by means of function keys
- Windows based configuration software
- 24 VDC power supply
- Degree of protection: IP 65 (front)
- Interface with Dupline® GTI 50 interface

Product Description

The GTD 50 is a programmable display for special integration in building automation applications like status and alarm-monitoring. Readout of analog signals, AnaLink and

digital signals. It is possible to create dynamic text lists for the digital inputs. Projects are developed with configuration software GTDWIN for Windows 95/98.

Type Selection

Supply	Ordering no.
24 VDC	GTD 50

Display Specifications

Type	Alphanumeric LCD display
LED backlight	Yes
Display format	2 x 20 characters
View area	18,6 x 83 mm
Character matrix (text mode)	7 x 5 pixels
Character size	5,55 x 3,2 mm
Contrast	Adjustable by trimmer
Function keys	5 customizable
Operational keys	8
Operational capacity	
No. of operative pages	128
Variable format	Decimal, hexadecimal, Binary, BCD, ASCII
Dynamic texts	1024
Info and help pages	128 of each
No. of projects	1
Configuration software	GTDWIN

Ordering Key

GTD 50

Type: Dupline® _____
 Text display _____
 Type _____

Supply Specifications

Power supply	24 VDC (18-32 VDC)
Power consumption	5 W @ 24 VDC
Protection fuse	315 mA - quick blow F (5 x 20 mm)

General Specifications

Environment	
Degree of protection	IP 65 (front)
Operating temperature	0 to 50°C (32 to 122°F)
Storage temperature	-20 to +60°C (-4 to +185°F)
Humidity (non-condensing)	≤ 85% R.H.
Weight	0.5 kg
Dimensions	166 x 86 x 41 mm
Panel cut-out	157 x 77 mm

Mode of Operation

Configuration

The GTD50 display has to be configured by a PC loaded with the configuration software GTDWIN.

A project may be defined as a set of screens/pages having the same dimensions as the display of the GTD 50. All pages can be free configured by the user, so as to be able to contain texts and/or the display/setting of proces variables. The various pages configured in this way can be freely interconnected to create the best way for the user to navigate between them. Finally, every project can enable the user to create appropriate diagnostic comments in order to signal the occurrence of anomalous events in the process.

Dynamic Text

A Dynamic Text Field is defined as the representation of binary data in a text format. The Dynamic Text Field is a dynamic field that relates to a Dupline input. Text is displayed by interpreting the value of the Dupline input or the state of one or more of its bits (bit-group) corresponding to a text list.

If the Dupline input corresponding to the text list does not identify a valid text, a series of "!" characters appears on the display.

The Dynamic Text Field can be linked to a list in two different ways: assigned to a single bit of a given Dupline input or assigned to a group of bits of a given group of Dupline inputs.

The value (in binary or BCD) of the variable assigned to the text list is used to determine which text to display. The value 0 is inadmissible.

Displaying Alarm Message

Alarm/Information Messages are texts displayed when the device registers an event and communicates it to the GTD 50 using the message input area. The GTD 50 prepares a display context appropriate for messages.

Information Message contains a special Message Field: this allows the numerical display of the magnitude that has triggered the event of the message.

ISA-alarms (Acknowledge and Reset) can be controlled from

the GTD 50 display, when connected to the Master Generator (G38900014).

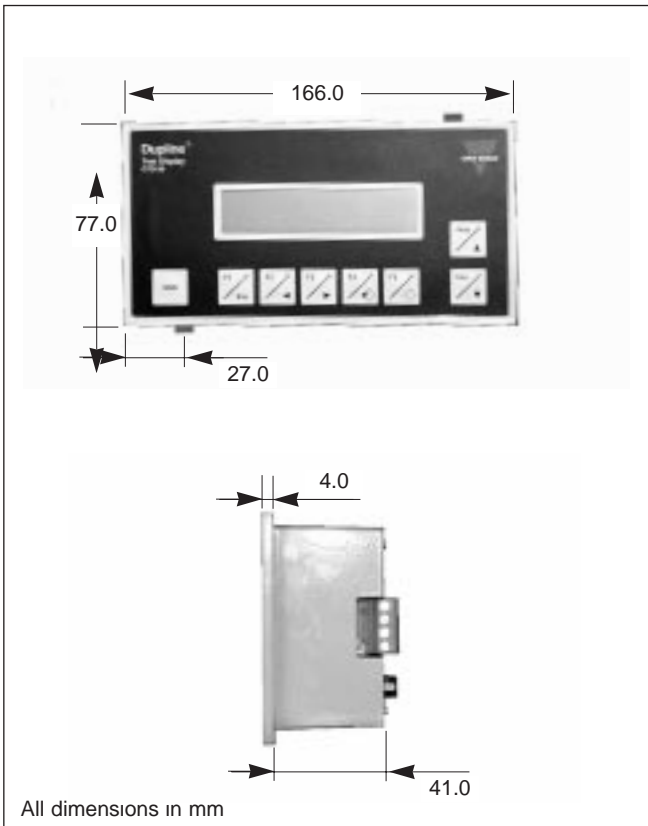
Displaying Analink Values

The display value of the analink input can be freely scaleable within any range, and the position of the decimal points is selectable.

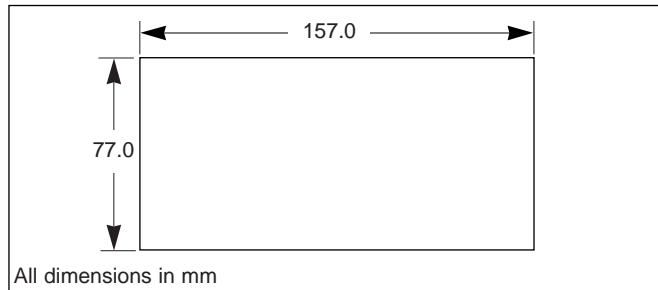
Function Keys

For every defined screen, 5 function keys can be configured to activate a Dupline output. These outputs can among other things be used to activate acknowledge and reset functions in connection with the Master Generator (G38900014).

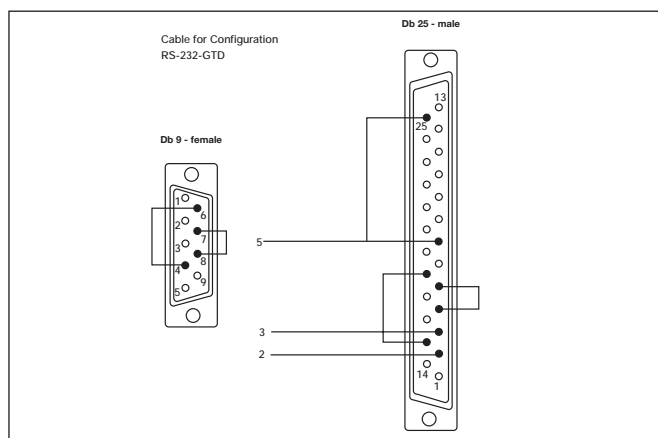
Dimensions



Panel Cut-out



Pin Assignment



Additional Information

Scope of supply:

- 1 x Text Display
- 1 x Dupline® interface

GTD 50
GTI 50

Accessories

- Configuration software
- User-manual
- Cable for configuration

RS-232-GTD

По вопросам продаж и поддержки обращайтесь:

Алматы (7273)495-231	Казань (843)206-01-48	Новокузнецк (3843)20-46-81	Смоленск (4812)29-41-54
Архангельск (8182)63-90-72	Калининград (4012)72-03-81	Новосибирск (383)227-86-73	Сочи (862)225-72-31
Астрахань (8512)99-46-04	Калуга (4842)92-23-67	Омск (3812)21-46-40	Ставрополь (8652)20-65-13
Барнаул (3852)73-04-60	Кемерово (3842)65-04-62	Орел (4862)44-53-42	Сургут (3462)77-98-35
Белгород (4722)40-23-64	Киров (8332)68-02-04	Оренбург (3532)37-68-04	Тверь (4822)63-31-35
Брянск (4832)59-03-52	Краснодар (861)203-40-90	Пенза (8412)22-31-16	Томск (3822)98-41-53
Владивосток (423)249-28-31	Красноярск (391)204-63-61	Пермь (342)205-81-47	Тула (4872)74-02-29
Волгоград (844)278-03-48	Курск (4712)77-13-04	Ростов-на-Дону (863)308-18-15	Тюмень (3452)66-21-18
Вологда (8172)26-41-59	Липецк (4742)52-20-81	Рязань (4912)46-61-64	Ульяновск (8422)24-23-59
Воронеж (473)204-51-73	Магнитогорск (3519)55-03-13	Самара (846)206-03-16	Уфа (347)229-48-12
Екатеринбург (343)384-55-89	Москва (495)268-04-70	Санкт-Петербург (812)309-46-40	Хабаровск (4212)92-98-04
Иваново (4932)77-34-06	Мурманск (8152)59-64-93	Саратов (845)249-38-78	Челябинск (351)202-03-61
Ижевск (3412)26-03-58	Набережные Челны (8552)20-53-41	Севастополь (8692)22-31-93	Череповец (8202)49-02-64
Иркутск (395)279-98-46	Нижний Новгород (831)429-08-12	Симферополь (3652)67-13-56	Ярославль (4852)69-52-93
Россия (495)268-04-70	Киргизия (996)312-96-26-47	Казахстан (7172)727-132	

cgo@nt-rt.ru || <https://gavazzi.nt-rt.ru/>