

# RFILT

## Технические характеристики

### По вопросам продаж и поддержки обращайтесь:

Алматы (7273)495-231	Казань (843)206-01-48	Новокузнецк (3843)20-46-81	Смоленск (4812)29-41-54
Архангельск (8182)63-90-72	Калининград (4012)72-03-81	Новосибирск (383)227-86-73	Сочи (862)225-72-31
Астрахань (8512)99-46-04	Калуга (4842)92-23-67	Омск (3812)21-46-40	Ставрополь (8652)20-65-13
Барнаул (3852)73-04-60	Кемерово (3842)65-04-62	Орел (4862)44-53-42	Сургут (3462)77-98-35
Белгород (4722)40-23-64	Киров (8332)68-02-04	Оренбург (3532)37-68-04	Тверь (4822)63-31-35
Брянск (4832)59-03-52	Краснодар (861)203-40-90	Пенза (8412)22-31-16	Томск (3822)98-41-53
Владивосток (423)249-28-31	Красноярск (391)204-63-61	Пермь (342)205-81-47	Тула (4872)74-02-29
Волгоград (844)278-03-48	Курск (4712)77-13-04	Ростов-на-Дону (863)308-18-15	Тюмень (3452)66-21-18
Вологда (8172)26-41-59	Липецк (4742)52-20-81	Рязань (4912)46-61-64	Ульяновск (8422)24-23-59
Воронеж (473)204-51-73	Магнитогорск (3519)55-03-13	Самара (846)206-03-16	Уфа (347)229-48-12
Екатеринбург (343)384-55-89	Москва (495)268-04-70	Санкт-Петербург (812)309-46-40	Хабаровск (4212)92-98-04
Иваново (4932)77-34-06	Мурманск (8152)59-64-93	Саратов (845)249-38-78	Челябинск (351)202-03-61
Ижевск (3412)26-03-58	Набережные Челны (8552)20-53-41	Севастополь (8692)22-31-93	Череповец (8202)49-02-64
Иркутск (395)279-98-46	Нижний Новгород (831)429-08-12	Симферополь (3652)67-13-56	Ярославль (4852)69-52-93
Россия (495)268-04-70	Киргизия (996)312-96-26-47	Казахстан (7172)727-132	

# Motor Controllers

## 3-Phase EMC/RFI Filter Module

### Types RFILT4032V..

CARLO GAVAZZI



- 3-phase EMC/RFI filter
- Rated operational voltage: 220/ 400VAC
- Maximum operational current: 32A @ 60°C
- Modular and Compact design
- RoHs compliant
- Light weight
- Insertion loss 5 dB
- CE
- UL, cUL Listed (Accessory of Listed RSBT)

#### Product Specification

### Product Description

RFILT is a plug-in 3-phase EMC/RFI filter with compact dimensions designed to fit applications with limited panel space.

### Ordering Key

**RFIL T 40 32 V00**

Filter \_\_\_\_\_  
 3-phase \_\_\_\_\_  
 Rated Operational Voltage \_\_\_\_\_  
 Operational Current \_\_\_\_\_  
 Options \_\_\_\_\_

### Type Selection

Type	Rated Operational Voltage Ue	Maximum Operational Current Ie @ 60°C
RFILT: 3-Phase EMC/RFI filter	40: 220/ 400 VACrms ± 15%	32: 32 AACrms

### Selection Guide

Rated Operational Voltage	Maximum operational current I <sub>e</sub> @ 60°C
220/ 400VACrms	32A AC
	<b>RFILT4032V00</b>

### General Specifications

Operational current @ 60 °C	Max. 32Arms
Operational frequency	50/60 Hz ± 10%
Operational voltage	220/ 400VAC ± 15%
Operational temperature	-20°C to +60°C (-4°F to +140°F)
Storage temperature	-40°C to +85°C (-58°F to +185°F)
Relative Humidity	<95% Non-Condensing
Pollution Degree	2
Dimensions (DxWxH)	75 x 45 x 58.3 mm

### Standards

Approvals	UL, cUL Listed (E172877)
Marking	CE
Radio Interference	IEC/EN 55011 (CISPR 11)

### Typical Filter Attenuation

Insertion Loss (acc. IEC/EN 55011 CISPR11)	5 dB
---	------

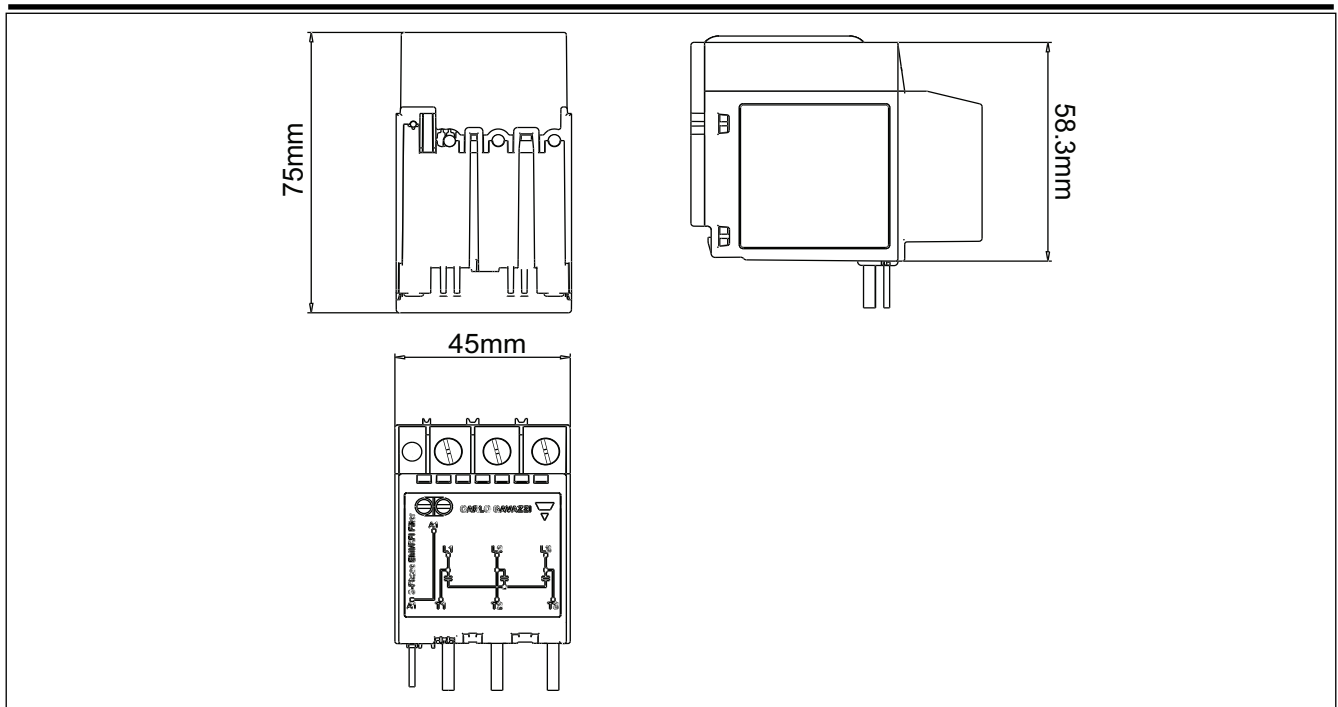
### Housing Specifications

Weight	140g
Housing colour	RAL7035
Terminals colour	RAL7040
Protection category	IP20

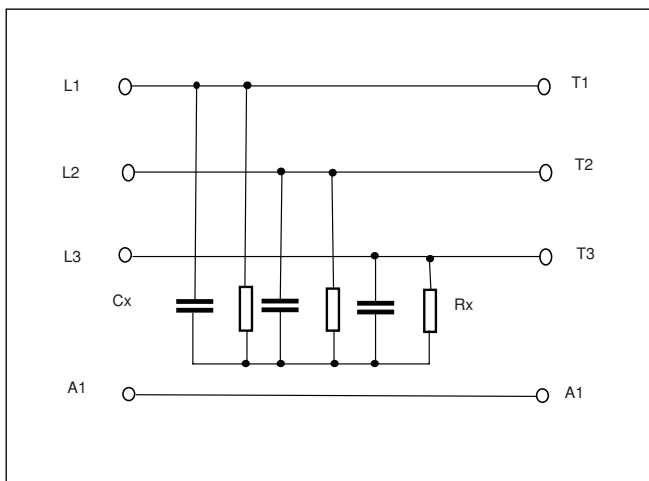
## Conductor Data

Line conductors: L1,L2,L3 according to EN60947-1		Secondary conductors: A1 according to EN60998	
flexible	2.5 ... 10mm <sup>2</sup>	flexible (stranded)	0.2 ... 2.5mm <sup>2</sup>
rigid (solid or stranded)	2.5 ... 2 x 4mm <sup>2</sup>	rigid (solid)	0.2 ... 4.0mm <sup>2</sup>
flexible with ferrule	2.5 ... 10mm <sup>2</sup>	UL/CSA rated data	
UL/CSA rated data		Rigid (solid or stranded)	AWG 24 ... 12
Rigid (stranded)	AWG 6 ... 14	Terminal screws	M2.5
Rigid (solid)	AWG 10 ... 14	Maximum tightening torque	0.45Nm (4.0lb.in.)
Rigid (solid or stranded)	AWG 2 x 10 ... 2 x 14	Stripping length	6.0 mm
Terminal screws	6 x M4		
Maximum tightening torque	2.5 Nm (22lb.in)		
Stripping length	8.0 mm		

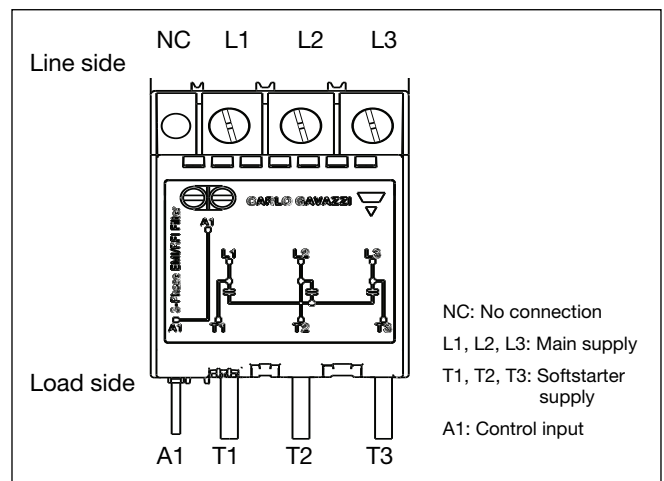
## Dimensions



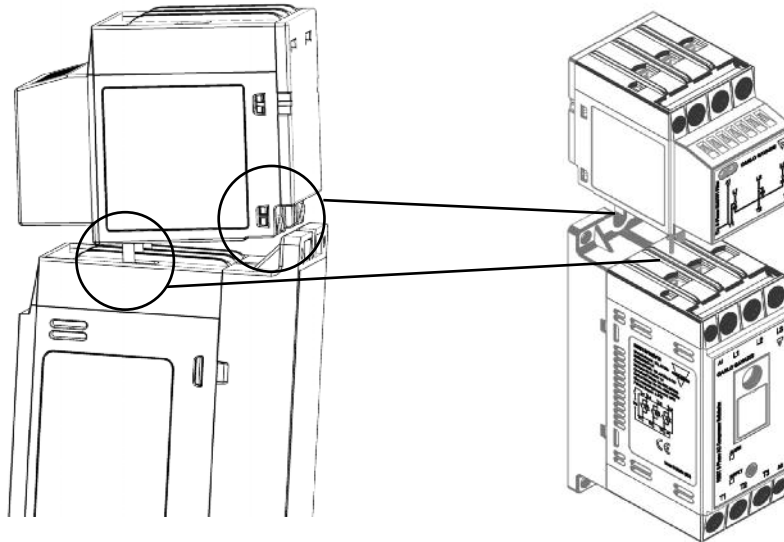
## Functional Diagram



## Wiring Diagram



## Mounting Instructions



RFILT.... Is a plug-in 3-phase EMC filter which is provided as an accessory. To install the filter please proceed as follows:

1. Untighten the terminal screws on the softstarter input terminals (L1,L2,L3,A1).
2. Mount RFILT at the input side of the softstarter as shown on the diagram.
3. Align RFILT terminals A1,T1,T2,T3 to A1, L1, L2, L3 terminals on the softstarter.
4. Gently insert the pins into the clamp terminals and slightly push the RFILT module downwards so that it clicks into the outer holes at the back of the softstarter housing.
5. Tighten screws on the softstarter input terminals.
6. Connect the mains and control cables to RFILT terminals L1,L2,L3 and A1 ensuring the recommended torque is applied.

## Short Circuit Protection (according to EN/IEC 60947-4-2) & UL508

Type of coordination: 1

Rated short circuit current

Use RK5 fuses up to 40 A

Type of coordination: 2

Rated short circuit current

5kA when protected  
by semiconductor fuses  
ferraz shawmut  
50A, Class gRC  
Art. No. 6.9 CP  
gRC 14.51 50

**По вопросам продаж и поддержки обращайтесь:**

Алматы (7273)495-231	Казань (843)206-01-48	Новокузнецк (3843)20-46-81	Смоленск (4812)29-41-54
Архангельск (8182)63-90-72	Калининград (4012)72-03-81	Новосибирск (383)227-86-73	Сочи (862)225-72-31
Астрахань (8512)99-46-04	Калуга (4842)92-23-67	Омск (3812)21-46-40	Ставрополь (8652)20-65-13
Барнаул (3852)73-04-60	Кемерово (3842)65-04-62	Орел (4862)44-53-42	Сургут (3462)77-98-35
Белгород (4722)40-23-64	Киров (8332)68-02-04	Оренбург (3532)37-68-04	Тверь (4822)63-31-35
Брянск (4832)59-03-52	Краснодар (861)203-40-90	Пенза (8412)22-31-16	Томск (3822)98-41-53
Владивосток (423)249-28-31	Красноярск (391)204-63-61	Пермь (342)205-81-47	Тула (4872)74-02-29
Волгоград (844)278-03-48	Курск (4712)77-13-04	Ростов-на-Дону (863)308-18-15	Тюмень (3452)66-21-18
Вологда (8172)26-41-59	Липецк (4742)52-20-81	Рязань (4912)46-61-64	Ульяновск (8422)24-23-59
Воронеж (473)204-51-73	Магнитогорск (3519)55-03-13	Самара (846)206-03-16	Уфа (347)229-48-12
Екатеринбург (343)384-55-89	Москва (495)268-04-70	Санкт-Петербург (812)309-46-40	Хабаровск (4212)92-98-04
Иваново (4932)77-34-06	Мурманск (8152)59-64-93	Саратов (845)249-38-78	Челябинск (351)202-03-61
Ижевск (3412)26-03-58	Набережные Челны (8552)20-53-41	Севастополь (8692)22-31-93	Череповец (8202)49-02-64
Иркутск (395)279-98-46	Нижний Новгород (831)429-08-12	Симферополь (3652)67-13-56	Ярославль (4852)69-52-93
Россия (495)268-04-70	Киргизия (996)312-96-26-47	Казахстан (7172)727-132	