

UCEU

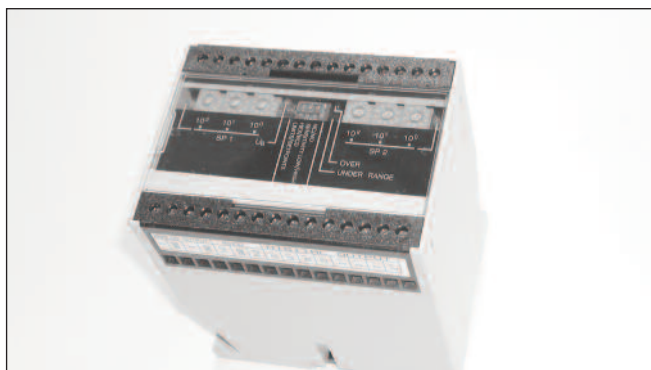
Технические характеристики

По вопросам продаж и поддержки обращайтесь:

Алматы (7273)495-231	Казань (843)206-01-48	Новокузнецк (3843)20-46-81	Смоленск (4812)29-41-54
Архангельск (8182)63-90-72	Калининград (4012)72-03-81	Новосибирск (383)227-86-73	Сочи (862)225-72-31
Астрахань (8512)99-46-04	Калуга (4842)92-23-67	Омск (3812)21-46-40	Ставрополь (8652)20-65-13
Барнаул (3852)73-04-60	Кемерово (3842)65-04-62	Орел (4862)44-53-42	Сургут (3462)77-98-35
Белгород (4722)40-23-64	Киров (8332)68-02-04	Оренбург (3532)37-68-04	Тверь (4822)63-31-35
Брянск (4832)59-03-52	Краснодар (861)203-40-90	Пенза (8412)22-31-16	Томск (3822)98-41-53
Владивосток (423)249-28-31	Красноярск (391)204-63-61	Пермь (342)205-81-47	Тула (4872)74-02-29
Волгоград (844)278-03-48	Курск (4712)77-13-04	Ростов-на-Дону (863)308-18-15	Тюмень (3452)66-21-18
Вологда (8172)26-41-59	Липецк (4742)52-20-81	Рязань (4912)46-61-64	Ульяновск (8422)24-23-59
Воронеж (473)204-51-73	Магнитогорск (3519)55-03-13	Самара (846)206-03-16	Уфа (347)229-48-12
Екатеринбург (343)384-55-89	Москва (495)268-04-70	Санкт-Петербург (812)309-46-40	Хабаровск (4212)92-98-04
Иваново (4932)77-34-06	Мурманск (8152)59-64-93	Саратов (845)249-38-78	Челябинск (351)202-03-61
Ижевск (3412)26-03-58	Набережные Челны (8552)20-53-41	Севастополь (8692)22-31-93	Череповец (8202)49-02-64
Иркутск (395)279-98-46	Нижний Новгород (831)429-08-12	Симферополь (3652)67-13-56	Ярославль (4852)69-52-93
Россия (495)268-04-70	Киргизия (996)312-96-26-47	Казахстан (7172)727-132	

Ultrasonic Evaluation Unit for Sensor Head Type UC EU 80 -1

CARLO GAVAZZI



- 100 x 75 x 110 mm housing, DIN-rail mounting
- Outputs: PLC, Display, RS232, sensor supply
- Input: Sensor head UC 80 CND 80 FS M1
- Full programmable
- Hold function, 2 set points, over- and under range, analogue outputs 0-10 VDC and 4-20 mA
- Power supply: 24 VDC unregulated (19 to 30 VDC)
- Protection: Short-circuit, reverse polarity, transients
- Protection degree IP 40
- Screw terminals
- Distance to sensor head: up to 50 m

Product Description

Evaluation unit for sensor head UC80CND80FSM1. From the evaluation unit it is possible to program all sensor settings e.g. sensitivity, NO or NC switching and angle of analog output. As the sensor and evaluation unit is sepa-

rated it makes the two-part set-up an ideal solution for level measurement in high tanks. When the evaluation unit is mounted in a panel all settings can be fixed here and not on the top of the tank.

Ordering Key

UC EU 80 -1

Ultrasonic sensor
Housing style
Evaluation unit
Sensing distance
Variant

Type Selection

Housing dimensions	Connection	Rated operating dist. (S _n)	Ordering no.
100 x 75 x 110 mm	Screw terminals	800-8000 mm	UC EU 80 -1

Specifications

Rated operational volt. (U_e)	19 to 30 VDC (ripple included)	Programmable functions Basic set-up, saving of basic set-up, analogue output range and offset, set points, over- and under range, repetition frequency, false echos, read-out of parameters, mode register.
Ripple	≤ 10%	
Protection	Short-circuit, transients and reverse polarity	
Rated insulation voltage	> 1 kV	
Inputs Sensor head Hold	Pins 3, 4, 5, 6, 8 Pin 10 (active LO)	Rated operating distance 800-8000 mm
Outputs Set point 1 Set point 2 Over range Under range Analogue output, 0-10 VDC Analogue output, 4-20 mA Display	Pin 14 Pin 15 Pin 12 Pin 13 <i>PNP, open collector 100 mA, Short circuit protected</i> Pin 16, R _{min} 1450 Ω Pin 18, R _{max} 250 Ω BCD, pins 23-26 HEX, pins 27-30 NPN, open collector, 30 VDC, 20 mA, short- circuit protected	
Carrier frequency	65 kHz	
Ambient temperature Operating Storage	0° to +50°C (32° to +122°F) -25° to +85°C (-13° to +185°F)	
Degree of protection	IP 40	
Housing material	ABS (Teluran 877T)	
Housing dimensions	100 x 75 x 110 mm	
Connection	Screw terminals	
Weight	370 g	
CE-marking	Yes	



Wiring

External power supply

- 1 24 V Power supply
- 2 GND Ground, power supply

Sensor head UC80CND80FSM1

- 3 24 V Sensor supply
- 4 GND Ground, sensor supply
- 5 STA Transmit pulse
- 6 STO Received pulse
- 7 SEN Receiver sensitivity (not connected)
- 8 TEM Temperature signal

Remote control

- 9 GND Ground
- 10 HLD Transmit disable, synchronisation

Switching outputs

- 11 GND Ground
- 12 ORA Over Range, no received pulse
- 13 URA Under Range, "blind zone"
- 14 SP1 Setpoint 1
- 15 SP2 Setpoint 2

Analogue outputs

- 16 U Voltage output 0... 10V
- 17 GND Ground for voltage output
- 18 I Current output 4... 20mA
- 19 GND Ground for current output

Interface, serial output (UDSProg A4N)

- 20 TxD Data output, serial
- 21 GND Ground, Data output, serial
- 22 RxD Data input, serial

Display outputs

- 23 10³ Digit 3
- 24 10² Digit 2
- 25 10¹ Digit 1
- 26 10⁰ Digit 0
- 27 2³ Digit 3
- 28 2² Digit 2
- 29 2¹ Digit 1
- 30 2⁰ Digit 0

Installation Hints

To avoid interference from inductive voltage/current peaks, separate the prox. switch power cables from any other power cables, e.g. motor, contactor or solenoid cables

Relief of cable strain

Incorrect

Correct

The cable should not be pulled

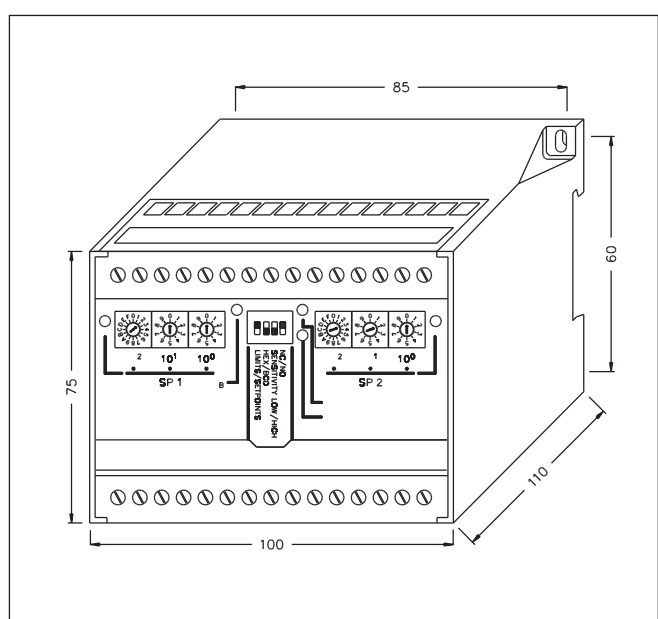
Protection of the sensing face

A proximity switch should not serve as mechanical stop

Switch mounted on mobile carrier

Any repetitive flexing of the cable should be avoided

Dimensions



По вопросам продаж и поддержки обращайтесь:

Алматы (7273)495-231	Казань (843)206-01-48	Новокузнецк (3843)20-46-81	Смоленск (4812)29-41-54
Архангельск (8182)63-90-72	Калининград (4012)72-03-81	Новосибирск (383)227-86-73	Сочи (862)225-72-31
Астрахань (8512)99-46-04	Калуга (4842)92-23-67	Омск (3812)21-46-40	Ставрополь (8652)20-65-13
Барнаул (3852)73-04-60	Кемерово (3842)65-04-62	Орел (4862)44-53-42	Сургут (3462)77-98-35
Белгород (4722)40-23-64	Киров (8332)68-02-04	Оренбург (3532)37-68-04	Тверь (4822)63-31-35
Брянск (4832)59-03-52	Краснодар (861)203-40-90	Пенза (8412)22-31-16	Томск (3822)98-41-53
Владивосток (423)249-28-31	Красноярск (391)204-63-61	Пермь (342)205-81-47	Тула (4872)74-02-29
Волгоград (844)278-03-48	Курск (4712)77-13-04	Ростов-на-Дону (863)308-18-15	Тюмень (3452)66-21-18
Вологда (8172)26-41-59	Липецк (4742)52-20-81	Рязань (4912)46-61-64	Ульяновск (8422)24-23-59
Воронеж (473)204-51-73	Магнитогорск (3519)55-03-13	Самара (846)206-03-16	Уфа (347)229-48-12
Екатеринбург (343)384-55-89	Москва (495)268-04-70	Санкт-Петербург (812)309-46-40	Хабаровск (4212)92-98-04
Иваново (4932)77-34-06	Мурманск (8152)59-64-93	Саратов (845)249-38-78	Челябинск (351)202-03-61
Ижевск (3412)26-03-58	Набережные Челны (8552)20-53-41	Севастополь (8692)22-31-93	Череповец (8202)49-02-64
Иркутск (395)279-98-46	Нижний Новгород (831)429-08-12	Симферополь (3652)67-13-56	Ярославль (4852)69-52-93
Россия (495)268-04-70	Киргизия (996)312-96-26-47	Казахстан (7172)727-132	

cgo@nt-rt.ru || <https://gavazzi.nt-rt.ru/>