

# VH

## Технические характеристики

### По вопросам продаж и поддержки обращайтесь:

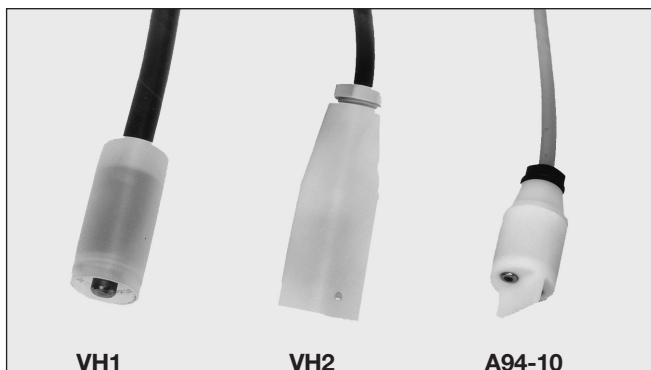
Алматы (7273)495-231  
Архангельск (8182)63-90-72  
Астрахань (8512)99-46-04  
Барнаул (3852)73-04-60  
Белгород (4722)40-23-64  
Брянск (4832)59-03-52  
Владивосток (423)249-28-31  
Волгоград (844)278-03-48  
Вологда (8172)26-41-59  
Воронеж (473)204-51-73  
Екатеринбург (343)384-55-89  
Иваново (4932)77-34-06  
Ижевск (3412)26-03-58  
Иркутск (395)279-98-46  
Россия (495)268-04-70

Казань (843)206-01-48  
Калининград (4012)72-03-81  
Калуга (4842)92-23-67  
Кемерово (3842)65-04-62  
Киров (8332)68-02-04  
Краснодар (861)203-40-90  
Красноярск (391)204-63-61  
Курск (4712)77-13-04  
Липецк (4742)52-20-81  
Магнитогорск (3519)55-03-13  
Москва (495)268-04-70  
Мурманск (8152)59-64-93  
Набережные Челны (8552)20-53-41  
Нижний Новгород (831)429-08-12  
Киргизия (996)312-96-26-47

Новокузнецк (3843)20-46-81  
Новосибирск (383)227-86-73  
Омск (3812)21-46-40  
Орел (4862)44-53-42  
Оренбург (3532)37-68-04  
Пенза (8412)22-31-16  
Пермь (342)205-81-47  
Ростов-на-Дону (863)308-18-15  
Рязань (4912)46-61-64  
Самара (846)206-03-16  
Санкт-Петербург (812)309-46-40  
Саратов (845)249-38-78  
Севастополь (8692)22-31-93  
Симферополь (3652)67-13-56  
Казахстан (7172)727-132

Смоленск (4812)29-41-54  
Сочи (862)225-72-31  
Ставрополь (8652)20-65-13  
Сургут (3462)77-98-35  
Тверь (4822)63-31-35  
Томск (3822)98-41-53  
Тула (4872)74-02-29  
Тюмень (3452)66-21-18  
Ульяновск (8422)24-23-59  
Уфа (347)229-48-12  
Хабаровск (4212)92-98-04  
Челябинск (351)202-03-61  
Череповец (8202)49-02-64  
Ярославль (4852)69-52-93

# Conductive Sensors Hanging Probes Types VH1, VH2, A94-10



- VH1 and VH2: Hanging electrodes with Neoprene cable
- A94-10: Hanging probe for (swimming) pool level control



## Product Description

The sensors VH1 and VH2 (swimming) pool level control. For use with amplifier (please refer to separate data sheets). The sensor A94-10 is a hanging probe for

## Ordering Key

**VH 1**

Type \_\_\_\_\_

## Type Selection

Electrode isolation

Ordering no.  
1 electrode

Ordering no.  
2 electrodes

No  
Yes

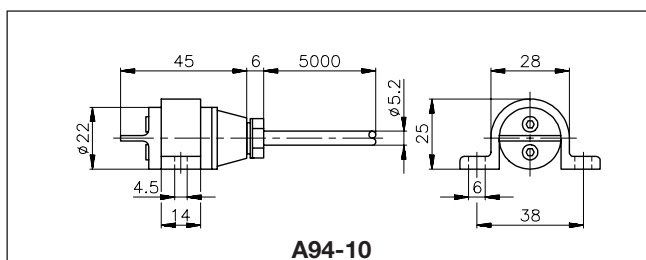
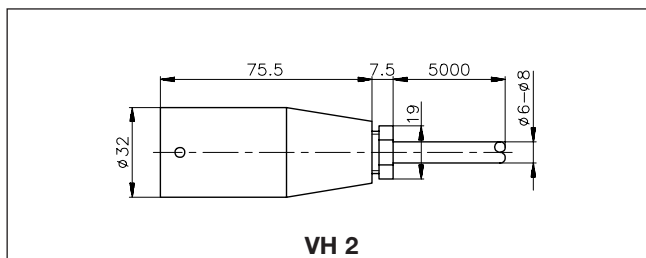
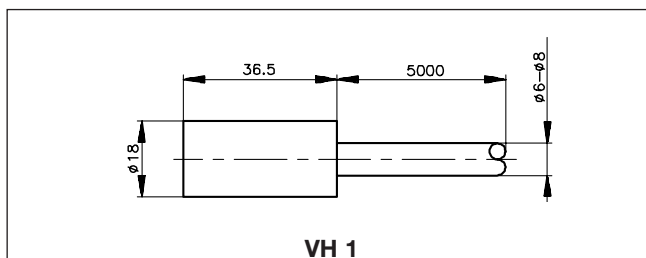
VH 1  
VH 2

A 94-10

## Specifications

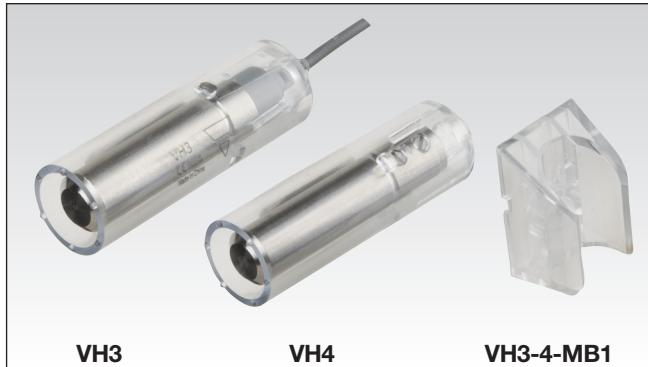
|                       |   |
|-----------------------|---|
| <b>Electrodes</b>     |   |
| Isolation             | Nylon 6   |
| VH2                   | Stainless steel                                   |
| Material              | AISI316/DIN1.4401                                 |
| <b>Housing</b>        |   |
| Material              | Nylon 6   |
| VH1, VH2              | Polyester   |
| A94-10                |   |
| Dimensions            |   |
| VH1                   | Ø 18 x 36,5 mm                                    |
| VH2                   | Ø 32 x 75,5 mm                                    |
| A94-10                | Ø 22 x 75,0 mm                                    |
| Connection            |   |
| VH1, VH2              | Cable (Neoprene),<br>5 m, 1 x 2.5 mm <sup>2</sup> |
| A94-10                | Cable (PVC), 5 m, 2 x 0.5 mm <sup>2</sup>         |
| <b>Environment</b>    |   |
| Degree of protection  | IP 67   |
| Operating temperature |   |
| VH1, VH2              | 0 to +90°C (+32° to +194°F)                       |
| A94-10                | 0 to +60°C (+32° to +140°F)                       |
| Storage temperature   | -25° to +100°C (-13° to +212°F)                   |
| <b>CE marking</b>     | IEC 529   |

## Dimensions



# Conductive Sensors Level Hanging Probes Types VH3, VH4

CARLO GAVAZZI



- Electrodes for swimming pools, wells and reservoirs
- **VH3:** Resistant to high levels of chlorine and salt water with a high level of salinity
- **VH4:** Simple and easy to install level probes for general use. With double screw terminal for secure cable connection
- Can be used outdoors under sunlight
- Without (VH4) or with (VH3) 6m UV resistant PVC cable.
- Snap-on bracket for easy and secure installation



## Product Description

VH3 is a level hanging probe specifically designed to be used in swimming pools and resists high chlorine and high salinity sea water. It is also suitable to be used in wells, reservoirs and tanks. VH4 is a simple and easy to

install level probe for general use. VH3-4-MB1 Snap-on brackets for easy and secure installation. For use with the level amplifier CLD/CLP series.

## Ordering Key

**VH 3**

Type \_\_\_\_\_

## Type Selection

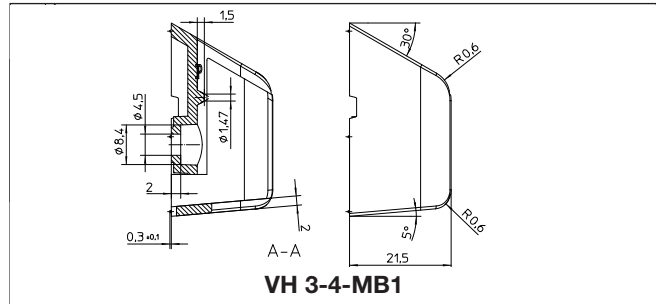
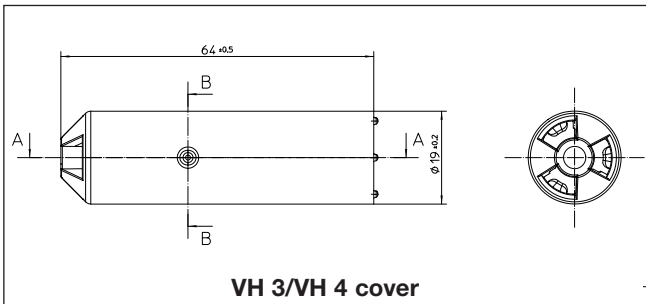
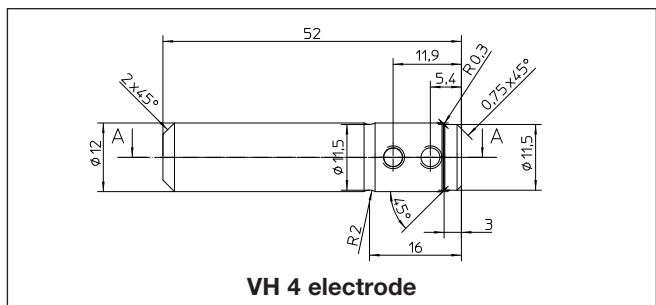
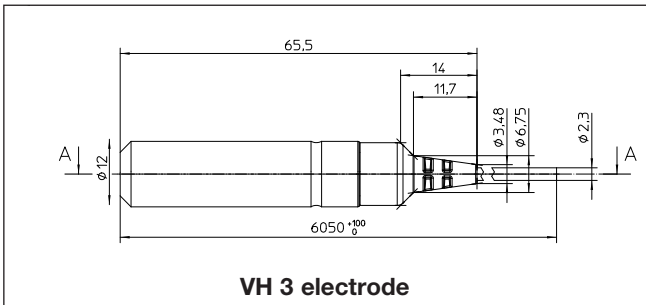
| Cable    | Ordering no.<br>1 electrode | Ordering no.<br>Snap-on bracket |
|----------|-----------------------------|---------------------------------|
| 6m cable | <b>VH 3</b>                 | <b>VH3-4-MB1*</b>               |
| No cable | <b>VH 4</b>                 |                                 |

\* Bracket to be purchased separately. Bracket only for VH3 and VH4.

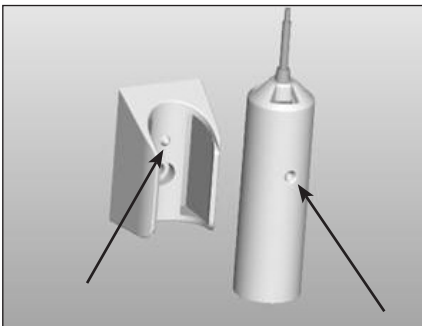
## Specifications

|                                     |   |  |                       |   |   |
|-------------------------------------|---|--|-----------------------|---|---|
| <b>Electrodes</b>                   | VH3<br>VH4  | Stainless steel AISI316<br>Stainless steel AISI304   | <b>Weight</b>         | VH3 with cable<br>VH4<br>Cover<br>VH3-4-MB1 | 182 g<br>50 g<br>10 g<br>10 g             |
| <b>Housing</b>                      |   |  | <b>Environment</b>    |   |   |
| Material                            | VH3 over mould<br>VH3, VH4 Cover<br>VH3-4-MB1 Bracket | PA6<br>Polycarbonate<br>Polycarbonate  | Degree of protection  | VH3   | IP67 (IEC 60529)                          |
| Dimensions                          | VH3 electrode<br>VH4 electrode<br>Cover               | Ø 12 x 65.5 mm<br>Ø 12 x 52 mm<br>Ø 19 x 65 mm   | Operating temperature | VH3, VH4                                    | 0°C to +80°C                              |
| Connection                          | VH3<br>VH4  | Cable 6m, 1 x 1.5 mm <sup>2</sup> ,<br>UV resistant PVC<br>Screw terminal VH4<br>M4 x 6mm pinol screw<br>stainless steel AISI304 | Storage temperature   | VH3, VH4                                    | -25°C to +80°C                            |
| Tightening torque                   | VH3-4-MB1   | min/max 0.4Nm/0.8Nm<br>DIN85 M4 Pan head screw   | Vibration             |   | 10-150 Hz, 1mm/7.5 g<br>IEC 60068-2-6)    |
| Recommended VH4 cable cross section |   | Min. 1 x 0.75 mm <sup>2</sup> ,<br>Max. 1 x 2.5 mm <sup>2</sup>  | Rough handling        |   | 2 x 1 m & 100 x 0.5 m<br>(IEC 60068-2-31) |
| Outer diameter                      |   | Max. Ø 4 mm  | Shock                 |   | 11 ms x 30 g (IEC 60068-2-27)             |
|                                     |   |  | <b>Approvals</b>      |   | CE marking: EN 60947-1<br>RoHS            |

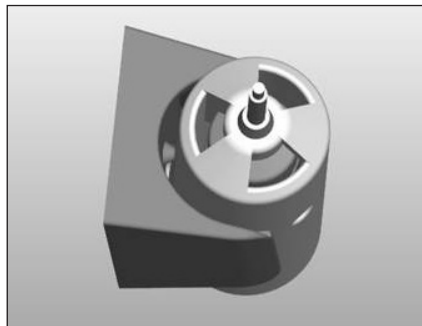
## Dimensions



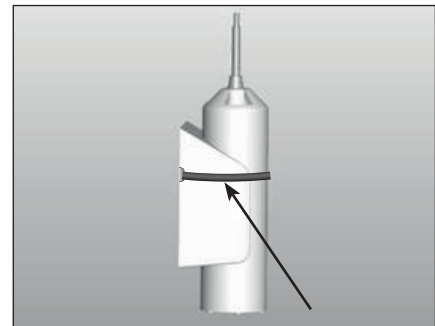
## Installation Hints



**Step 1**  
Align the probe to the positioning pin of the bracket. Clamp the probe firmly in place.

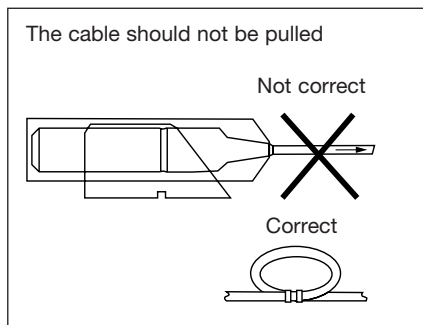


**Step 2**  
A misalignment of the pin and the blind hole prevents proper installation of the probe.



**Step 3**  
Once the probe is snapped into the bracket, you can secure it with a cable tie around the recess on the rear of the bracket.

## Relief of the cable strain



**По вопросам продаж и поддержки обращайтесь:**

Алматы (7273)495-231  
Архангельск (8182)63-90-72  
Астрахань (8512)99-46-04  
Барнаул (3852)73-04-60  
Белгород (4722)40-23-64  
Брянск (4832)59-03-52  
Владивосток (423)249-28-31  
Волгоград (844)278-03-48  
Вологда (8172)26-41-59  
Воронеж (473)204-51-73  
Екатеринбург (343)384-55-89  
Иваново (4932)77-34-06  
Ижевск (3412)26-03-58  
Иркутск (395)279-98-46  
Россия (495)268-04-70

Казань (843)206-01-48  
Калининград (4012)72-03-81  
Калуга (4842)92-23-67  
Кемерово (3842)65-04-62  
Киров (8332)68-02-04  
Краснодар (861)203-40-90  
Красноярск (391)204-63-61  
Курск (4712)77-13-04  
Липецк (4742)52-20-81  
Магнитогорск (3519)55-03-13  
Москва (495)268-04-70  
Мурманск (8152)59-64-93  
Набережные Челны (8552)20-53-41  
Нижний Новгород (831)429-08-12  
Киргизия (996)312-96-26-47

Новокузнецк (3843)20-46-81  
Новосибирск (383)227-86-73  
Омск (3812)21-46-40  
Орел (4862)44-53-42  
Оренбург (3532)37-68-04  
Пенза (8412)22-31-16  
Пермь (342)205-81-47  
Ростов-на-Дону (863)308-18-15  
Рязань (4912)46-61-64  
Самара (846)206-03-16  
Санкт-Петербург (812)309-46-40  
Саратов (845)249-38-78  
Севастополь (8692)22-31-93  
Симферополь (3652)67-13-56  
Казахстан (7172)727-132

Смоленск (4812)29-41-54  
Сочи (862)225-72-31  
Ставрополь (8652)20-65-13  
Сургут (3462)77-98-35  
Тверь (4822)63-31-35  
Томск (3822)98-41-53  
Тула (4872)74-02-29  
Тюмень (3452)66-21-18  
Ульяновск (8422)24-23-59  
Уфа (347)229-48-12  
Хабаровск (4212)92-98-04  
Челябинск (351)202-03-61  
Череповец (8202)49-02-64  
Ярославль (4852)69-52-93