

CARLO GAVAZZI

Датчик движения Guardian 1.

Технические характеристики.



По вопросам продаж и поддержки обращайтесь:

Архангельск (8182)63-90-72
Астана +7(7172)727-132
Белгород (4722)40-23-64
Брянск (4832)59-03-52
Владивосток (423)249-28-31
Волгоград (844)278-03-48
Вологда (8172)26-41-59
Воронеж (473)204-51-73
Екатеринбург (343)384-55-89
Иваново (4932)77-34-06
Ижевск (3412)26-03-58
Казань (843)206-01-48

Калининград (4012)72-03-81
Калуга (4842)92-23-67
Кемерово (3842)65-04-62
Киров (8332)68-02-04
Краснодар (861)203-40-90
Красноярск (391)204-63-61
Курск (4712)77-13-04
Липецк (4742)52-20-81
Магнитогорск (3519)55-03-13
Москва (495)268-04-70
Мурманск (8152)59-64-93
Набережные Челны (8552)20-53-41

Нижний Новгород (831)429-08-12
Новокузнецк (3843)20-46-81
Новосибирск (383)227-86-73
Орел (4862)44-53-42
Оренбург (3532)37-68-04
Пенза (8412)22-31-16
Пермь (342)205-81-47
Ростов-на-Дону (863)308-18-15
Рязань (4912)46-61-64
Самара (846)206-03-16
Санкт-Петербург (812)309-46-40
Саратов (845)249-38-78

Смоленск (4812)29-41-54
Сочи (862)225-72-31
Ставрополь (8652)20-65-13
Тверь (4822)63-31-35
Томск (3822)98-41-53
Тула (4872)74-02-29
Тюмень (3452)66-21-18
Ульяновск (8422)24-23-59
Уфа (347)229-48-12
Челябинск (351)202-03-61
Череповец (8202)49-02-64
Ярославль (4852)69-52-93

Combined Motion and Presence Detector for Automatic Sliding Doors GUARDIAN 1

CARLO GAVAZZI



- Overhead sensor for sliding doors
- Motion and presence detection in one unit
- Digital Video Camera Technology
- Easy teach of presence zone
- Environmental adaptation
- No Crosstalk between sensors
- Separate motion and presence output
- 2 x SPST relay outputs
- Supply voltage: 12 to 24 VAC/DC
- LED indication for: Power, Motion and Presence
- CE, UL325 and TÜV approved



Product Description

The GUARDIAN 1 is an overhead sensor for pedestrian sliding doors. The sensor has combined motion and presence (safe) detection zones. The sensor is based on CMOS camera technology and detection on image processing. The motion zone reacts only on movement whereas the presence zone reacts on both movement and presence. The motion zone can be blanked in 3 directions (front, left and

right) in order to avoid detection of unwanted objects. The presence zone is taught into the sensor by recognition of some standard test targets in the setup phase. The presence zone also adapts to the surroundings to work in different weather conditions. The sensor has separate outputs for the motion and presence zones as well as a test input to test the sensor function for each door cycle.

Ordering Key

GUARDIAN 1

Type Selection


Housing size	Ordering no.
210 x 77 x 58 mm	GUARDIAN1

Specifications

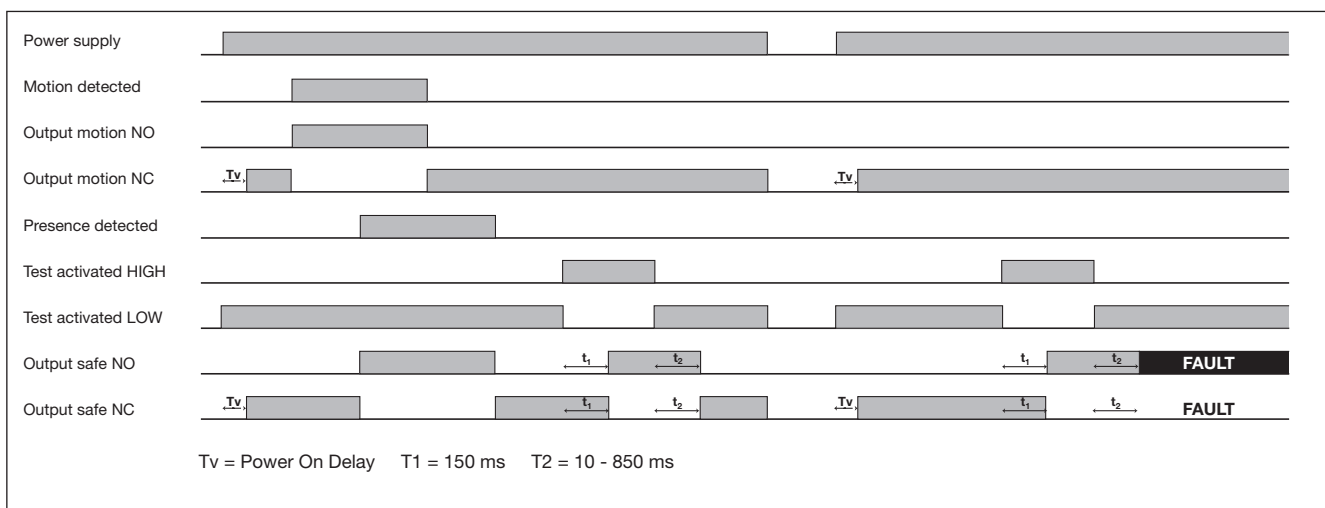
Rated operational voltage (U_e)	12 - 24 VAC (12 - 24 VCA) RMS incl. ripple 50-60 Hz, ±15% tolerance 12 - 24 VDC (12 - 24 VCC) ±15% tolerance	Active low:	ON < 6 VAC/VDC OFF > 9 VAC/VDC															
No load supply current (I_e)	<table border="1"> <thead> <tr> <th>Typical</th> <th>Max.</th> <th></th> </tr> </thead> <tbody> <tr> <td>192 mA</td> <td>230 mA</td> <td>@ 12V AC</td> </tr> <tr> <td>146 mA</td> <td>170 mA</td> <td>@ 12V DC</td> </tr> <tr> <td>103 mA</td> <td>120 mA</td> <td>@ 24V AC</td> </tr> <tr> <td>65 mA</td> <td>80 mA</td> <td>@ 24V DC</td> </tr> </tbody> </table>	Typical	Max.		192 mA	230 mA	@ 12V AC	146 mA	170 mA	@ 12V DC	103 mA	120 mA	@ 24V AC	65 mA	80 mA	@ 24V DC	Sensitivity	Adjusting in 7 steps
Typical	Max.																	
192 mA	230 mA	@ 12V AC																
146 mA	170 mA	@ 12V DC																
103 mA	120 mA	@ 24V AC																
65 mA	80 mA	@ 24V DC																
Technology	Digital video camera technology	Presence zone reaction time	Reaction time: 210 ms (20% contrast, object speed 1 m/s, test body CA (DIN18650-1)) 500 ms															
Power ON delay	5 seconds	Fall time:	500 ms															
Output function	Relay – SPST 1A DC 30VDC 600.000 @ 0,5A, 50 VAC/ 30 VDC 100.000 @ 1A, 30 VDC	Motion zone reaction time	Reaction time: 1,2 s (20% contrast, object speed 1 m/s, test body CA (DIN18650-1)) 500 ms															
Test input	Max. input current 5 mA ON > 9 VAC/VDC OFF < 6 VAC/VDC	Presence time (Background relearn time) In accordance with DIN18650 Not in accordance with DIN18650	7 step rotary switch 1 min, 5 min. 10 sec, 30 sec.															
Active high:		Vibration	10 to 150 Hz 0.5 mm/7.5g (IEC 60068-2-6)															
		Shock	2 x 1 m and 100 x 0.5 m (IEC 60068-2-32)															



Specifications (cont.)

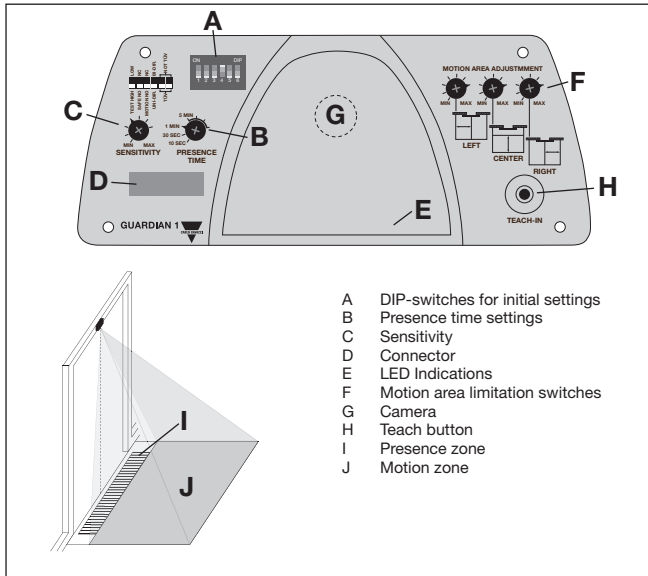
Ambient temperature range Operating Store	-25° to +55°C (-13° to +131°F) -25° to +80°C (-13° to +176°F)	Pollution degree	3 (IEC 60664 / 60664A / EN 60947-1)
Ambient light	10 lux - 50.000 lux 40 lux - 50.000 lux, TÜV approved, measured at the sensor surface	Humidity	0 % to 90 % relative, non condensing
Contrast	Min. 20% contrast between the floor and object	Type of ESPE Type 2	The sensing functions have to be tested for each door cycle by applying a test signal to the terminals 2+3. See test input.
Motion zone sensing area Height 180 cm Height 220 cm Height 300 cm	(W x D) 246 x 204 cm 300 x 249 cm 410 x 340 cm The motion area can be blanked from left, right and front in 7 steps on three rotary switches	LED indications Green LED Yellow LED Red LED	Power ON Motion detected Presence detected For special LED functions see page 3
Presence zone sensing area Height 180 cm Height 220 cm Height 300 cm	(W x D) 42 cm x door width 51 cm x door width 70 cm x door width	Rated Insulation voltage	50 VDC
Mounting height	1.8 m to 3.0 m	Weight	460 g
Placement of sensor Horizontal distance from door Vertical distance from door	max 50 cm in front of the door. The sensor must be able to see the door opening. 10 cm from the top of the door opening	Electromagnetic compatibility	In acc. with EMC directive 2004/108/EG Immunity in acc. with EN61326-1 and EN61326-3-1
Material Housing and cover Front glass	ABS Black Clear transparent, polycarbonate.	Marking	CE
Connection cable	3 m 8 x 0,14 mm ² LIYY grey Max. cable length: 10 m.	TÜV-Approval  Baumuster geprüft	In acc. with machinery directive 2006/42/EC, annex I DIN 18650-1 § 5.7.4, edition 2005 (prEN16005), EN13241-1, EN 12978, edition 2003, EN61508, edition 2001, ENISO13849-1: 2008 cat.2 pl. c for presence detection
Environment protection	IP64 (EN 60529, 60947-1)	UL-Approval	cULus
Installation category	III (IEC 60664 / 60664A / EN 60947-1)		UL325, CSA-C22.2 No.247

Operation Diagram



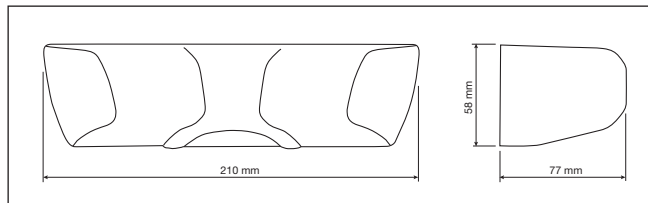


Component Guide



- A DIP-switches for initial settings
- B Presence time settings
- C Sensitivity
- D Connector
- E LED Indications
- F Motion area limitation switches
- G Camera
- H Teach button
- I Presence zone
- J Motion zone

Dimensions



LED Indications

Situation / LED	Yellow	Red	Green
Normal	Motion detected	Presence detected	Power On
No presence zone stored	Running light on all LED's		
Teach mode	Flashing simultaneously		
Background stored	Off	Off	Flashing
Not allowed DIN18650	Off	Flashing	On
Self test failed	Flashing simultaneously		On
Sensor error Contact installer	On	On	Off

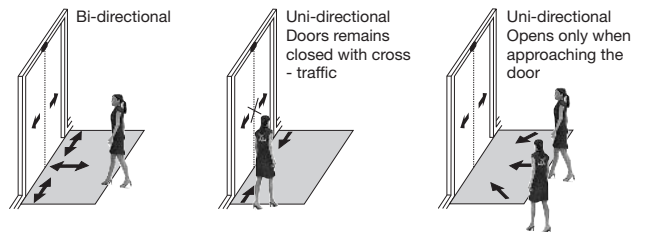
Delivery Contents

- GUARDIAN1 door sensor
- User Manual
- Drilling template
- 3 m connection cable with connector
- **Packaging:** Cardboard box

DIP-Switch Settings

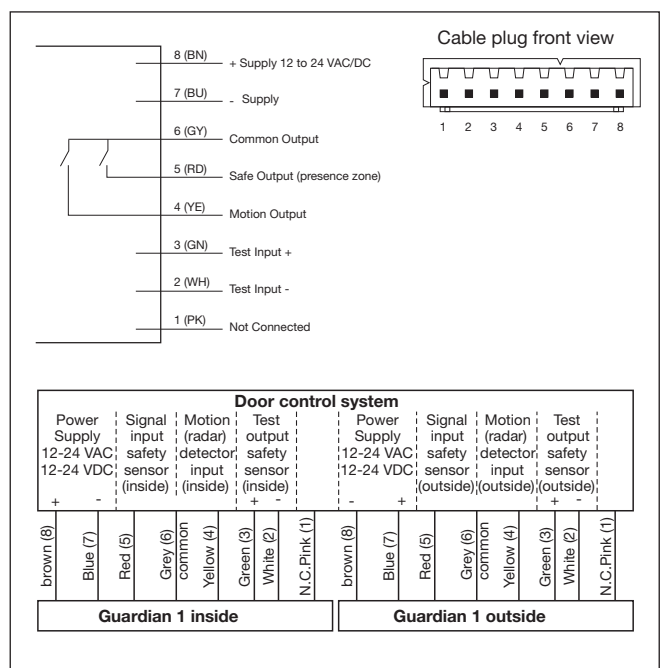
Set up the DIP-switches to match the door controller.

- DIP-switch 1 - Sensor test input**
 - Test input Active Low
 - Test input Active High
- DIP-switch 2 - Safety output**
 - Normally closed (NC)
 - Normally open (NO)
- DIP-switch 3 - Motion output**
 - Normally closed (NC)
 - Normally open (NO)
- DIP-switch 4 - Direction recognition**
 - Bi-directional mode
 - Uni-directional mode)



- DIP-switch 5 and 6**
 - Not in accordance with DIN18650-1 (prEN16005)
 - In accordance with DIN18650-1 (prEN16005)
 - Not valid (red LED flashes and output relays is set in safe mode)

Wiring Diagram



По вопросам продаж и поддержки обращайтесь:

Архангельск (8182)63-90-72
Астана +7(7172)727-132
Белгород (4722)40-23-64
Брянск (4832)59-03-52
Владивосток (423)249-28-31
Волгоград (844)278-03-48
Вологда (8172)26-41-59
Воронеж (473)204-51-73
Екатеринбург (343)384-55-89
Иваново (4932)77-34-06
Ижевск (3412)26-03-58
Казань (843)206-01-48

Калининград (4012)72-03-81
Калуга (4842)92-23-67
Кемерово (3842)65-04-62
Киров (8332)68-02-04
Краснодар (861)203-40-90
Красноярск (391)204-63-61
Курск (4712)77-13-04
Липецк (4742)52-20-81
Магнитогорск (3519)55-03-13
Москва (495)268-04-70
Мурманск (8152)59-64-93
Набережные Челны (8552)20-53-41

Нижний Новгород (831)429-08-12
Новокузнецк (3843)20-46-81
Новосибирск (383)227-86-73
Орел (4862)44-53-42
Оренбург (3532)37-68-04
Пенза (8412)22-31-16
Пермь (342)205-81-47
Ростов-на-Дону (863)308-18-15
Рязань (4912)46-61-64
Самара (846)206-03-16
Санкт-Петербург (812)309-46-40
Саратов (845)249-38-78

Смоленск (4812)29-41-54
Сочи (862)225-72-31
Ставрополь (8652)20-65-13
Тверь (4822)63-31-35
Томск (3822)98-41-53
Тула (4872)74-02-29
Тюмень (3452)66-21-18
Ульяновск (8422)24-23-59
Уфа (347)229-48-12
Челябинск (351)202-03-61
Череповец (8202)49-02-64
Ярославль (4852)69-52-93

сайт: <http://gavazzi.nt-rt.ru> || **эл. почта:** cgo@nt-rt.ru