

CARLO GAVAZZI

IC40CNN30NAT1, IC40CNN30PAT1, IC40CNN30COT1,
IC40CNN30CST1, IC40CNN30TAT1

Прямоугольный датчик приближения из термопластичного полиэстера. Технические характеристики.



По вопросам продаж и поддержки обращайтесь:

Архангельск (8182)63-90-72
Астана +7(7172)727-132
Белгород (4722)40-23-64
Брянск (4832)59-03-52
Владивосток (423)249-28-31
Волгоград (844)278-03-48
Вологда (8172)26-41-59
Воронеж (473)204-51-73
Екатеринбург (343)384-55-89
Иваново (4932)77-34-06
Ижевск (3412)26-03-58
Казань (843)206-01-48

Калининград (4012)72-03-81
Калуга (4842)92-23-67
Кемерово (3842)65-04-62
Киров (8332)68-02-04
Краснодар (861)203-40-90
Красноярск (391)204-63-61
Курск (4712)77-13-04
Липецк (4742)52-20-81
Магнитогорск (3519)55-03-13
Москва (495)268-04-70
Мурманск (8152)59-64-93
Набережные Челны (8552)20-53-41

Нижний Новгород (831)429-08-12
Новокузнецк (3843)20-46-81
Новосибирск (383)227-86-73
Орел (4862)44-53-42
Оренбург (3532)37-68-04
Пенза (8412)22-31-16
Пермь (342)205-81-47
Ростов-на-Дону (863)308-18-15
Рязань (4912)46-61-64
Самара (846)206-03-16
Санкт-Петербург (812)309-46-40
Саратов (845)249-38-78

Смоленск (4812)29-41-54
Сочи (862)225-72-31
Ставрополь (8652)20-65-13
Тверь (4822)63-31-35
Томск (3822)98-41-53
Тула (4872)74-02-29
Тюмень (3452)66-21-18
Ульяновск (8422)24-23-59
Уфа (347)229-48-12
Челябинск (351)202-03-61
Череповец (8202)49-02-64
Ярославль (4852)69-52-93

сайт: <http://gavazzi.nt-rt.ru> || эл. почта: ego@nt-rt.ru

Proximity Sensors Inductive Thermoplastic Polyester Housing Type IC 40, 40 x 40 x 118 mm

CARLO GAVAZZI



- Rotable-head, 5 positions
- Mounting dimensions in accordance with DIN 43694
- Thermoplastic polyester housing
- Sensing distance: 30 mm
- LED-indication for power and output ON
- Fully protected
- DC types 4-wire NO & NC, 10-30 VDC
- AC/DC types 2-wire NO or NC, 20-250 VAC/DC
- AC type 2-wire NO & NC

Product Description

Inductive proximity switch in standard limit switch housing. Rugged polyester housing. Sensing face adjustable in up to 5 positions. 2-wire AC/DC for maximum efficiency.

Ordering Key

IC40CNN30NAT1

Ind. prox. switch	_____
Housing style	_____
Housing size	_____
Housing material	_____
Housing length	_____
Detection principle	_____
Sensing distance	_____
Output type	_____
Output configuration	_____
Connection	_____

Type Selection - DC

Rated operating dist. (S _n)	Ordering no. Transistor NPN Make & break switching	Ordering no. Transistor PNP Make & break switching
30 mm ¹⁾	IC40CNN30NAT1	IC40CNN30PAT1

¹⁾ For non-flush mounting

Type Selection - AC and AC/DC

Rated operating dist. (S _n)	Ordering no. Power MOSFET Make switching, AC/DC	Ordering no. Power MOSFET Break switching, AC/DC	Ordering no. Power MOSFET Make & Break switching, AC
30 mm ¹⁾	IC40CNN30COT1	IC40CNN30CCT1	IC40CNN30TAT1 ²⁾

¹⁾ For non-flush mounting

²⁾ Delivered: NO (make switching)

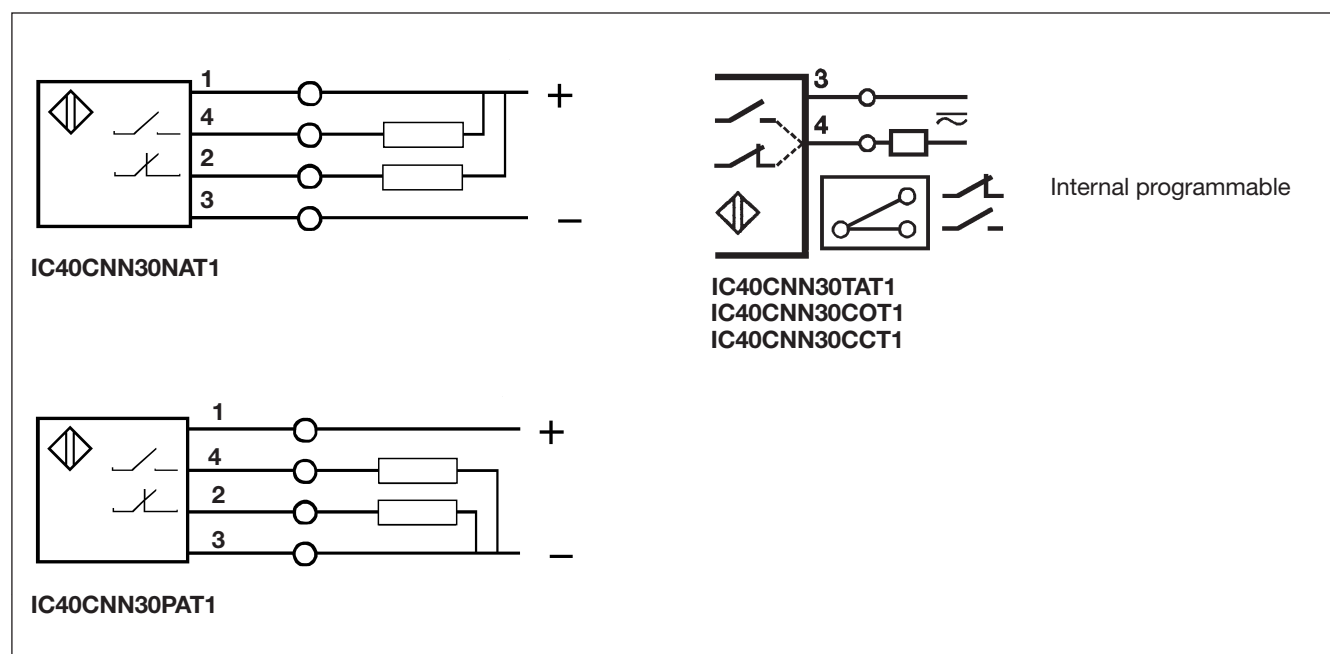
Specifications

	Transistor NPN/PNP	Power MOSFET output AC types
Rated operational voltage (U _B)	10 to 30 VDC (rippled included)	20 to 250 VAC/VDC (VAC: 45 to 65 Hz)
Ripple	≤ 15%	-
Rated operational current (I _e) Continuous	≤ 200 mA	5 - 200 mA @ 25°C 5 - 160 mA @ 70°C
Short-time	-	≤ 2 A, t ≤ 20 ms (Max. 1 pulse per s)
No-load supply current (I _o)	≤ 25 mA	-
Minimum load current	-	5 mA

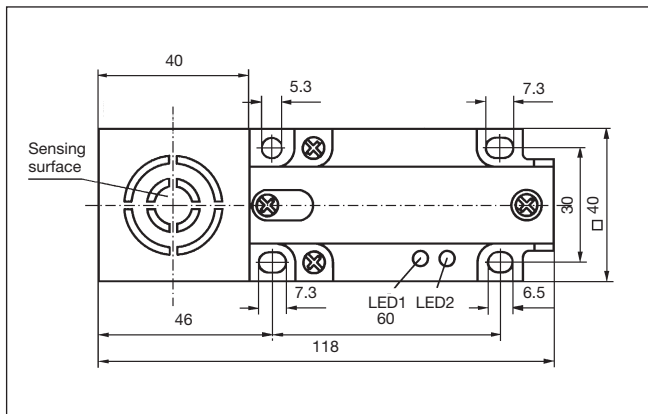
Specifications (cont.)

	Transistor NPN/PNP	Power MOSFET output AC types
OFF-state current (I_r) (leakage)	50 μ A	≤ 1.7 mA @ 120 VAC ≤ 2.5 mA @ 220 VAC
Voltage drop (U_d)	0.8 to 3.5 V	Static: ≤ 10.0 V Dynamic: ≤ 8.0 V
Protection	Reverse polarity, short-circuit	Transient voltages, short-circuit
Power ON delay	≤ 100 ms	≥ 10 ms
Frequency of operating cycles (f)	≤ 100 Hz	≤ 25 Hz AC; 40 Hz DC
Indication for supply ON (LED 2)	LED, green	LED, green
Indication for output ON (LED 1)	LED, red	LED, red
Rated operating dist. (S_n)	30 mm	30 mm
Repeat accuracy (R)	$\leq 1\%$	$\leq 1\%$
Hysteresis (H) (Differential travel)	3 to 20% of sensing distance	3 to 20% of sensing distance
Effective operating dist. (S_r)	$0.9 \times S_n \leq S_r \leq 1.1 \times S_n$	$0.9 \times S_n \leq S_r \leq 1.1 \times S_n$
Usable operating dist. (S_u)	$0.9 \times S_r \leq S_u \leq 1.1 \times S_r$	$0.9 \times S_r \leq S_u \leq 1.1 \times S_r$
Ambient temperature		
Operating	-25° to +70°C (-13° to +158°F)	-25° to +70°C (-13° to +158°F)
Storage	-30° to +80°C (-22° to +176°F)	-30° to +80°C (-22° to +176°F)
Degree of protection	IP 67 (Nema 1, 3, 4, 6, 13)	IP 67 (Nema 1, 3, 4, 6, 13)
Shock resistance	30 G/ 11 ms	30 G/ 11 ms
Vibration resistance	10 to 50 Hz/1 mm/5 min.	10 to 50 Hz/1 mm/5 min.
Housing material	PBT	PBT
Terminal block	4 terminals for 2 x 2.5 mm ² wires, self-lifting	2 terminals for 2 x 2.5 mm ² wires, self-lifting
Cable gland	M20 x 1.5	M20 x 1.5
Weight	200 g	200 g
CE-marking	Yes	Yes

Wiring Diagrams



Dimensions



Installation Hints

Table 1

Installation examples

Sensing surface on head ("top"); other orientations of the sensing surface mean deviations from nominal sensing distance.

Figure 1

$a \text{ (mm)} \geq 40$
 $S_n \text{ (mm)} \leq 20$

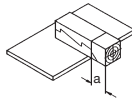


Figure 2

$a \text{ (mm)} \geq 40$
 $S_n \text{ (mm)} \leq 25$

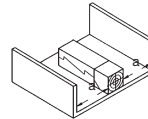


Figure 3

Flush mounting not permitted

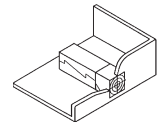


Table 2

Adjacent mounting

To avoid cross-interference when mounting the sensors next to each other, the given separations (a) should be maintained.

Figure 4

$a \text{ (mm)} \geq 120$

